

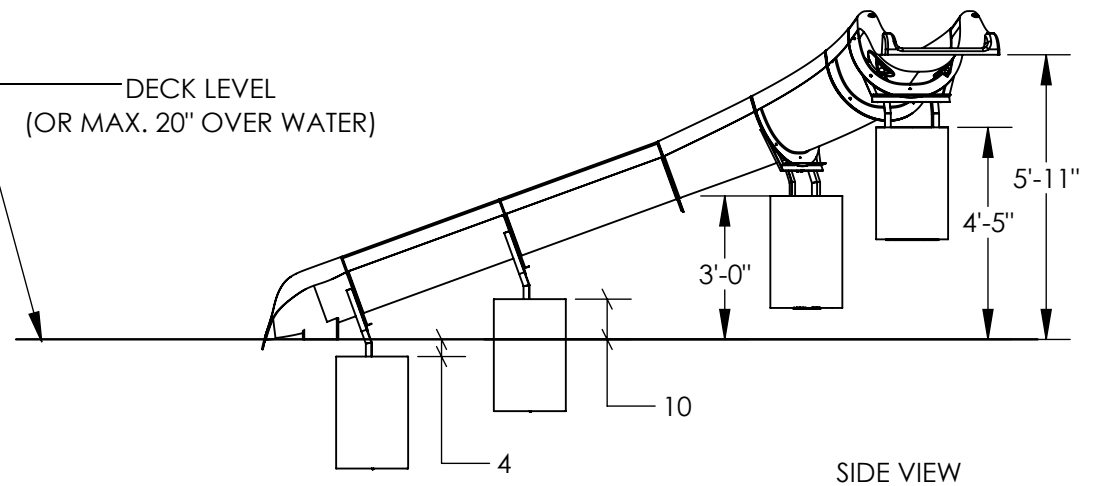
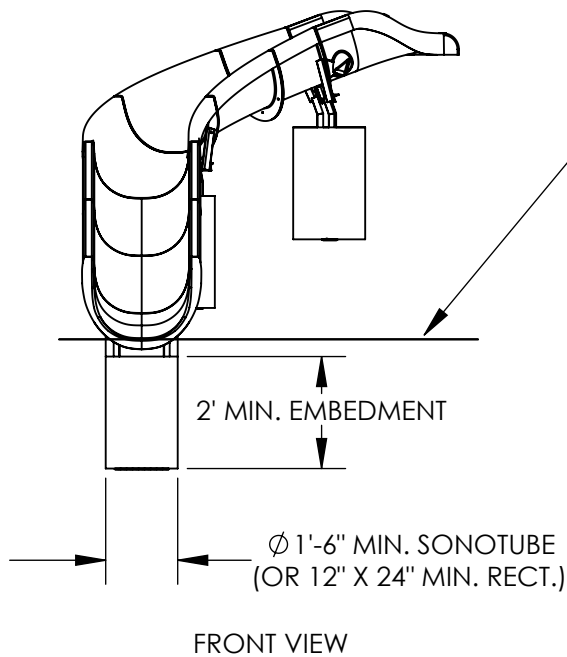
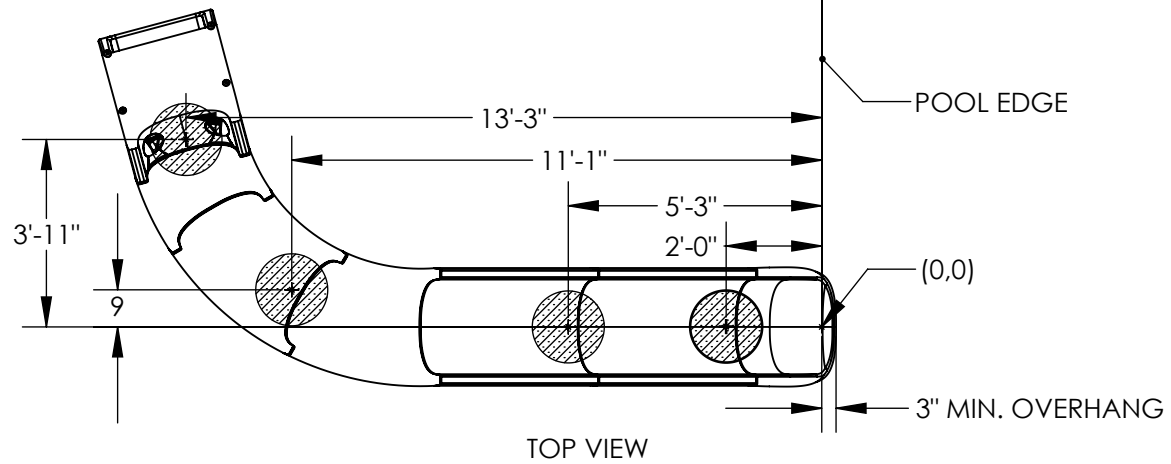
UNLESS OTHERWISE SPECIFIED  
DIMENSIONS ARE IN INCHES,  
TOLERANCES ARE:  
FRACTIONAL: .....  $\pm 1/16$   
ANGULAR: .....  $\pm 1^\circ$   
TWO PLACE DECIMAL: ....  $\pm .06$   
THREE PLACE DECIMAL: ..  $\pm .031$

|  |                 |
|--|-----------------|
| DESCRIPTION:<br>19 LF RIVER RUN SLIDE LEFT TURN, "B" |                 |
| MATERIAL:<br>FIBERGLASS-REINFORCED VINYL ESTER       |                 |
| PART NO.: RRS19B-CL                                  | REV. A0         |
| DRAWN BY: CMR  | DATE: 10/7/2019 |
| CHECKED BY: credelfs                                 | DATE: 6/24/2020 |

**SR Smith**<sup>TM</sup>

P.O. BOX 400 - 1017 S.W. BERG PARKWAY  
CANBY, OREGON 97013  
PHONE (503) 266-2231

|         |                |              |
|---------|----------------|--------------|
| SIZE: A | SCALE: 1/4"=1' | SHEET 1 OF 2 |
|---------|----------------|--------------|



|  |                 |
|--|-----------------|
| DESCRIPTION:<br>19 LF RIVER RUN SLIDE LEFT TURN, "B"<br>DWG FILE FOR USE |                 |
| MATERIAL:<br>FIBERGLASS-REINFORCED VINYL ESTER                           |                 |
| PART NO.:<br>RRS19B-CL   | REV.<br>A0      |
| DRAWN BY: CMR  | DATE: 10/7/2019 |
| CHECKED BY: credelfs   | DATE: 6/24/2020 |

**SR Smith**<sup>TM</sup>

P.O. BOX 400 - 1017 S.W. BERG PARKWAY  
CANBY, OREGON 97013  
PHONE (503) 266-2231

|         |                |              |
|---------|----------------|--------------|
| SIZE: A | SCALE: 1/4"=1' | SHEET 2 OF 2 |
|---------|----------------|--------------|