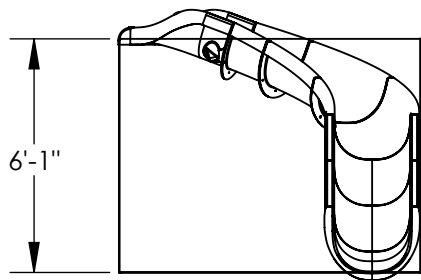
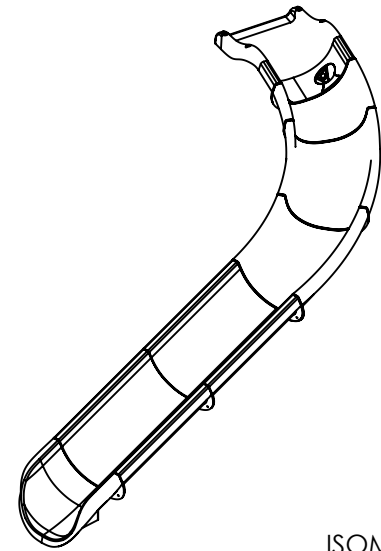


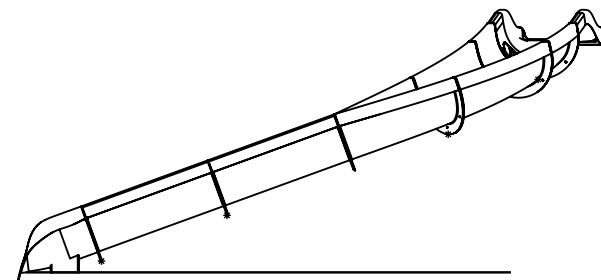
TOP VIEW



FRONT VIEW



ISOMETRIC VIEW  
NOT TO SCALE



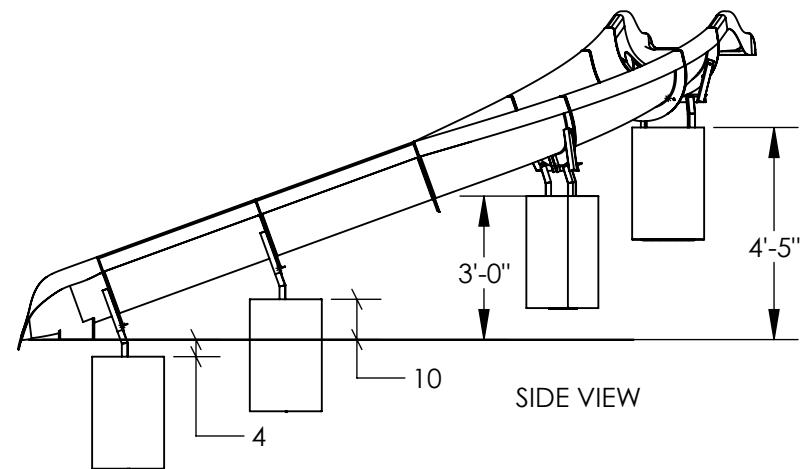
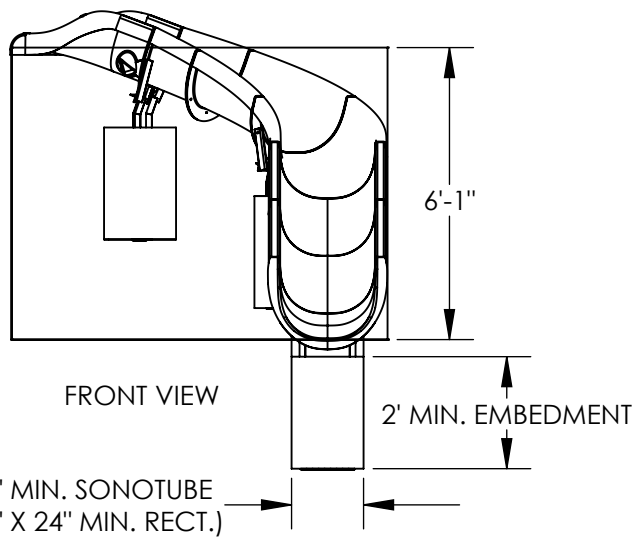
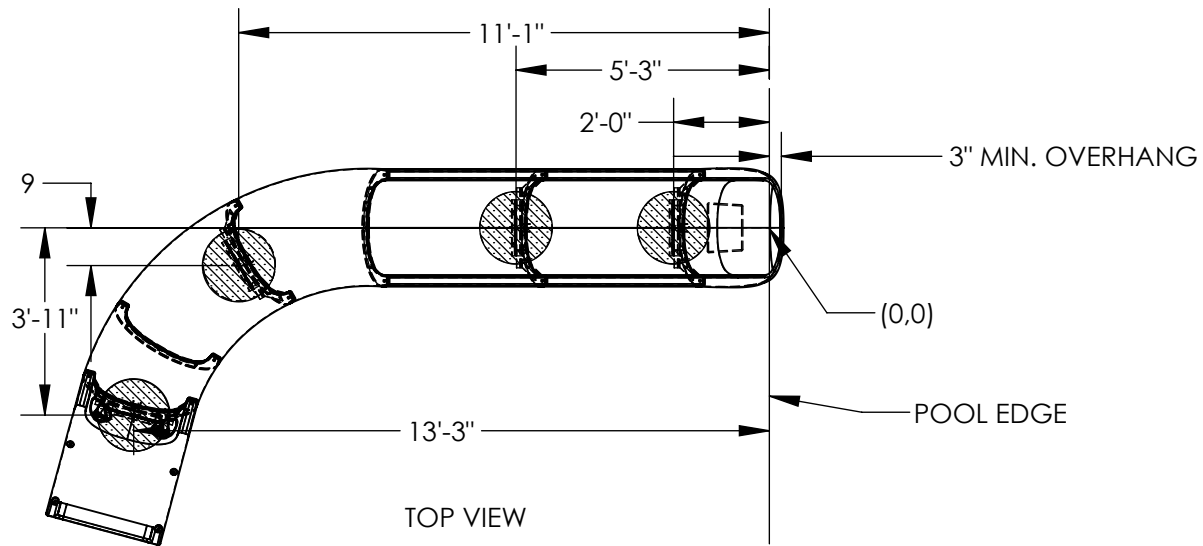
SIDE VIEW

DESCRIPTION: 19 LF RIVER RUN SLIDE RIGHT TURN, "B" DWG FILE FOR USE	
MATERIAL: FIBERGLASS-REINFORCED VINYL ESTER	
PART NO.: RRS19B-CR	REV. A0
DRAWN BY: CMR	DATE: 6/24/2020
CHECKED BY:	DATE:

**SR Smith**<sup>TM</sup>

P.O. BOX 400 - 1017 S.W. BERG PARKWAY  
CANBY, OREGON 97013  
PHONE (503) 266-2231

SIZE: A	SCALE: 1/4"=1'	SHEET 1 OF 2
------------	----------------	--------------



DESCRIPTION: 19 LF RIVER RUN SLIDE RIGHT TURN, "B" DWG FILE FOR USE	
MATERIAL: FIBERGLASS-REINFORCED VINYL ESTER	
PART NO.: RRS19B-CR	REV. A0
DRAWN BY: CMR	DATE: 6/24/2020
CHECKED BY:	DATE:



P.O. BOX 400 - 1017 S.W. BERG PARKWAY  
CANBY, OREGON 97013  
PHONE (503) 266-2231