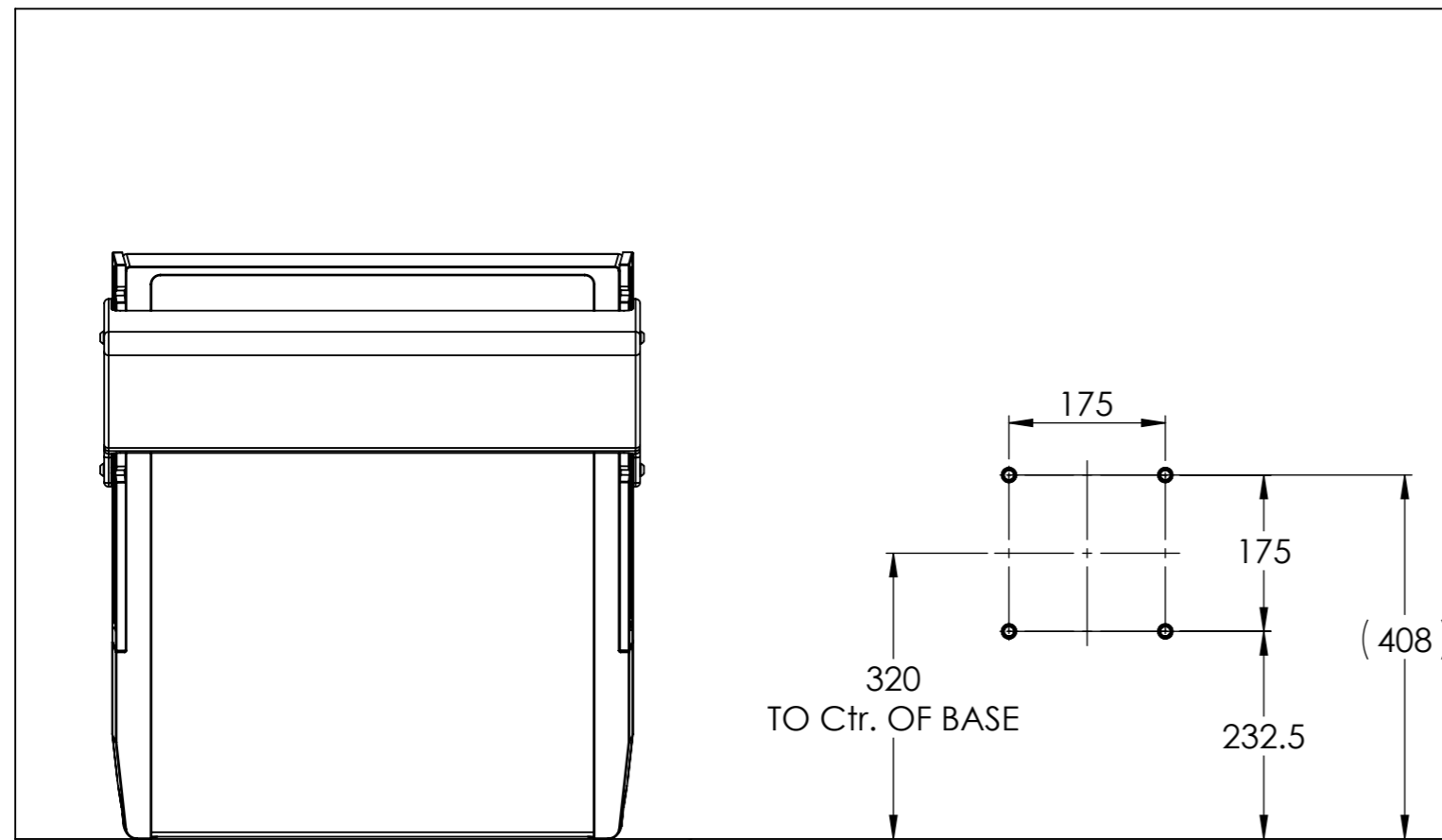


600/650 LAUNCH/VELOCITY ANCHORING DETAILS

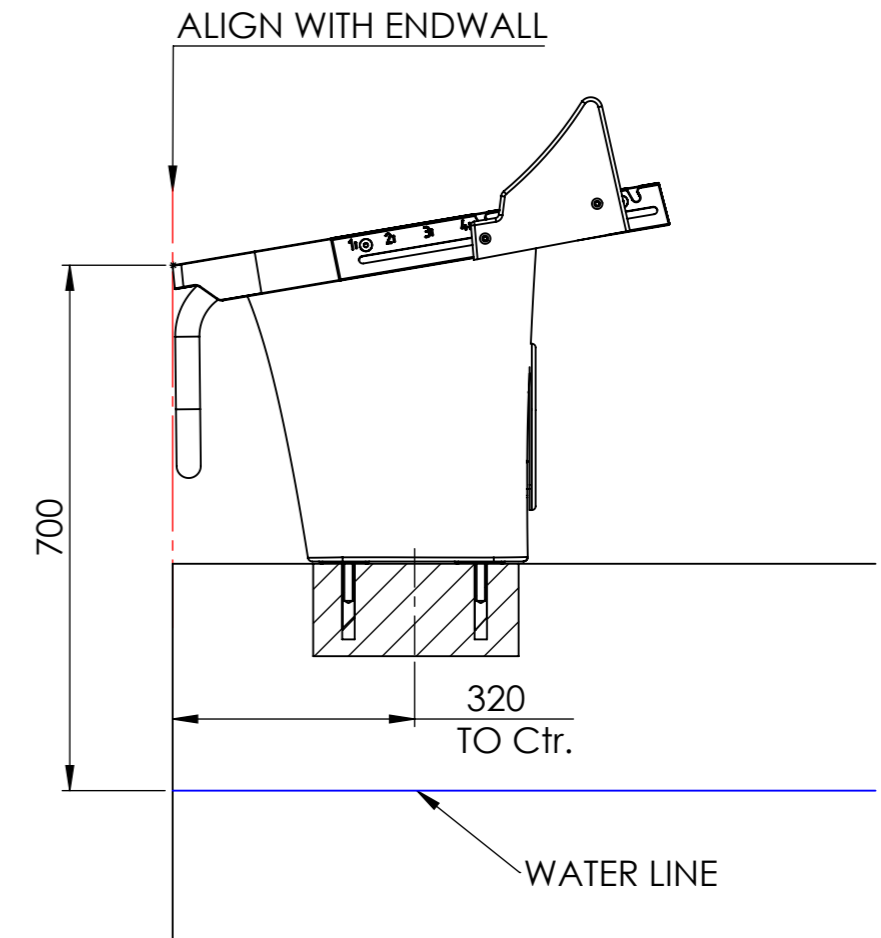
NOTE

- SETBACK DIMENSIONS ARE FROM **FINISHED (TILED) ENDWALL**
- ANCHORS MUST BE INSTALLED WITH BLOCK

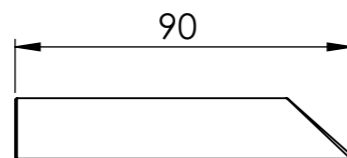
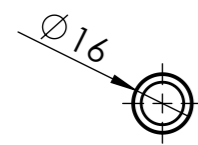


SWIMMING POOL ENDWALL

TOP VIEW



SIDE VIEW
SCALE 1 : 10



CHEMSET ANCHOR

CLIENT: S.R. Smith		PROJECT: SRS AU Internal	
UNLESS OTHERWISE SPECIFIED: DIMENSIONS ARE IN MILLIMETERS		FINISH:	
SURFACE FINISH:			
TOLERANCES: LINEAR: ±10 mm			
ANGULAR: 1 deg			
NAME	SIGNATURE	DATE	
DRAWN: NM		26/11/2019	
CHK'D: MF			
APPV'D			DO NOT SCALE DRAWING



SR Smith
 Serious Equipment - Serious Fun - Access for All
SRS Australia PTY LTD
 12 Enterprise Street, Richlands QLD 4077
 PO Box 4416, Forest Lake QLD 4078
 P +61 7 3812 2283 | F +61 7 3812 1187

TITLE:
**600/650L/VELOCITY
 STARTING BLOCK ANCHOR INSTALLATION**

THE INFORMATION CONTAINED IN THIS DRAWING IS THE
 SOLE PROPERTY OF SRSMITH AUSTRALIA Pty Ltd.
 ANY REPRODUCTION IN PART OR IN WHOLE
 WITHOUT THE WRITTEN PERMISSION OF
 SRSMITH AUSTRALIA Pty Ltd IS PROHIBITED.

MATERIAL:
FRP/316 SS

DWG NO.
SB-STD RD-ANC- 001

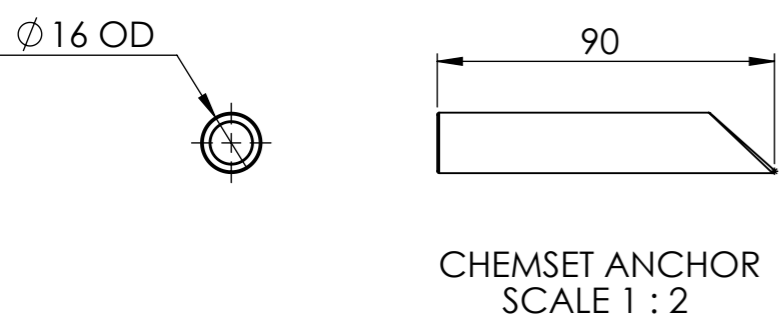
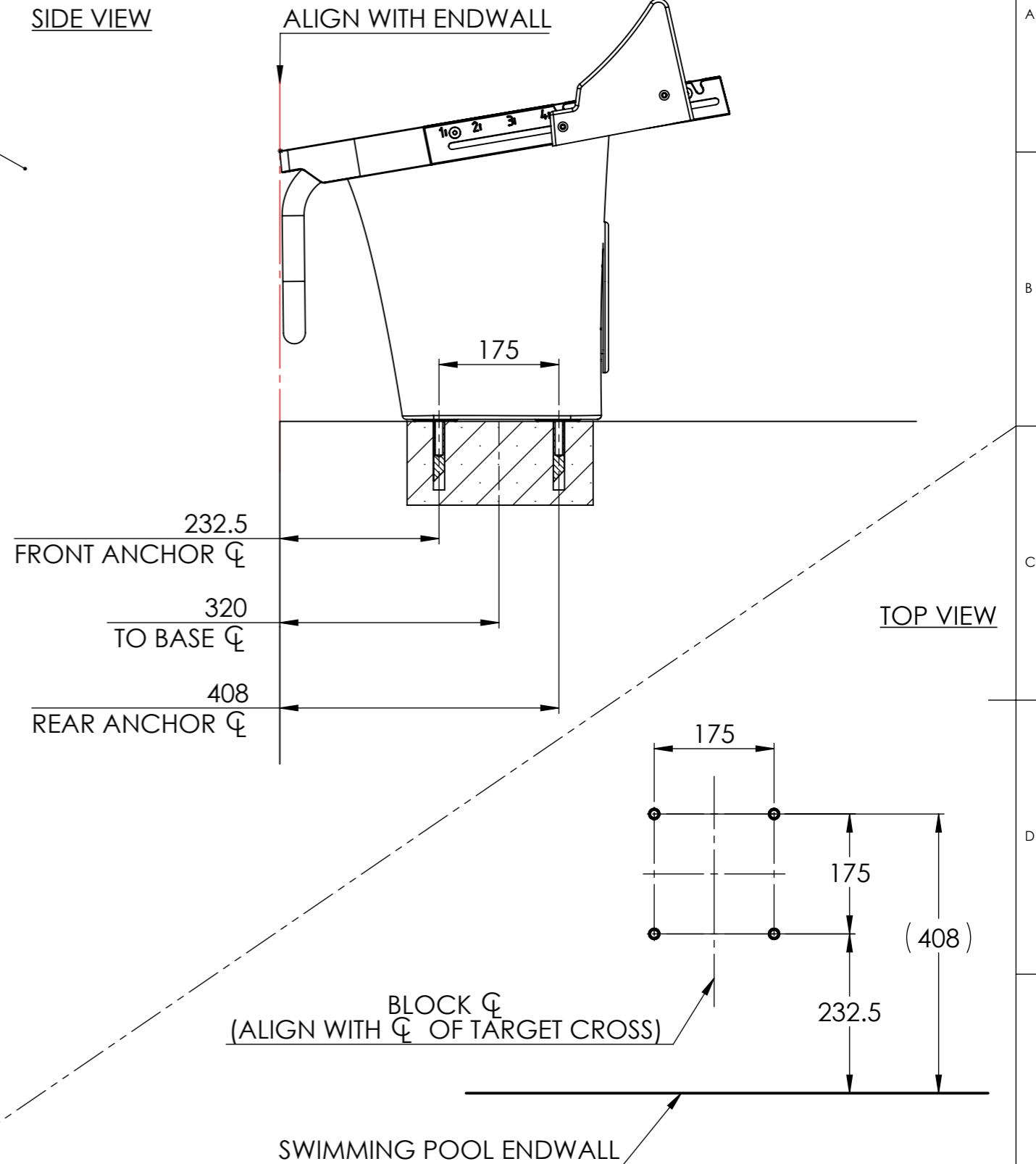
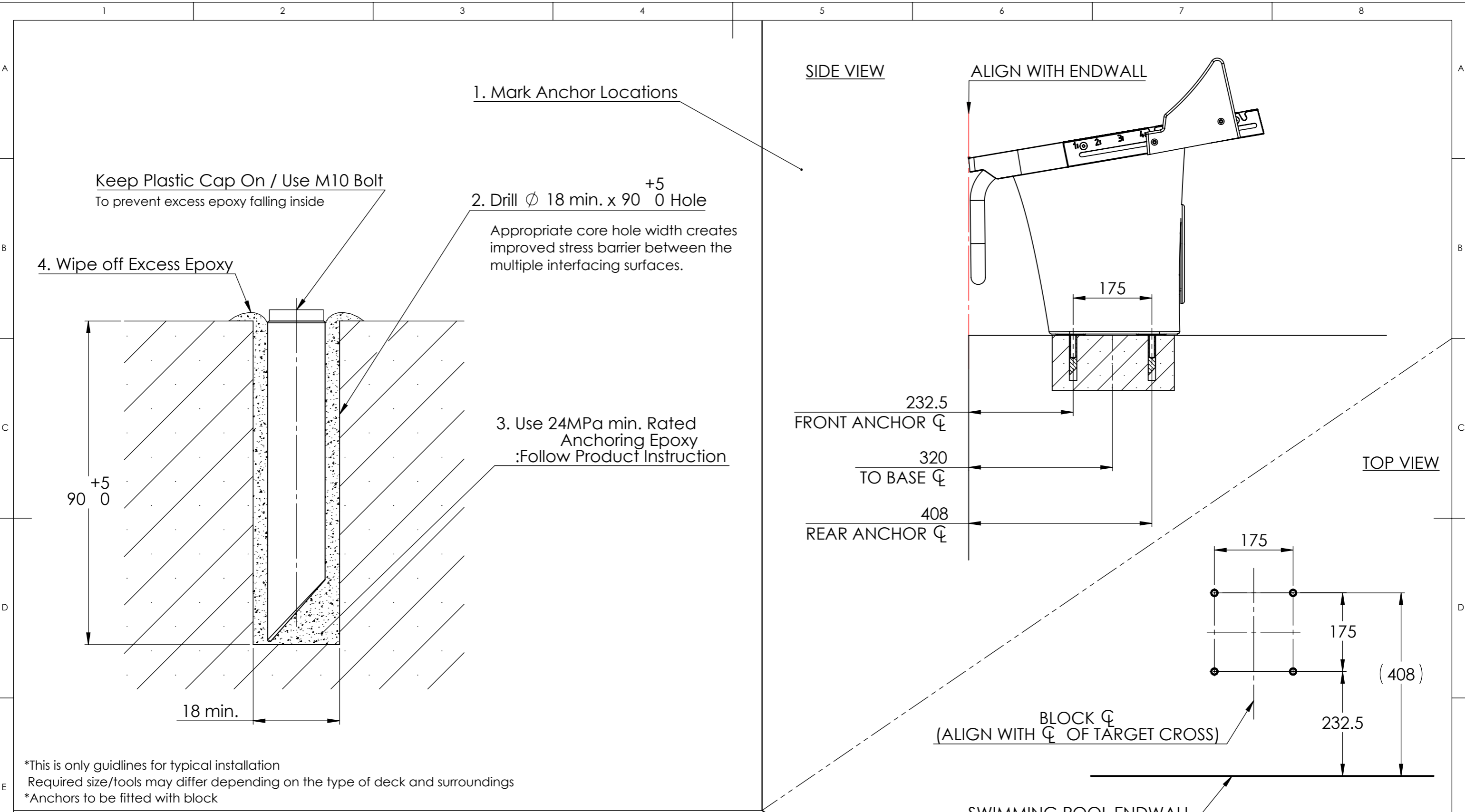
A3

REVISION

A

SCALE: 1:8

SHEET 1 OF 4

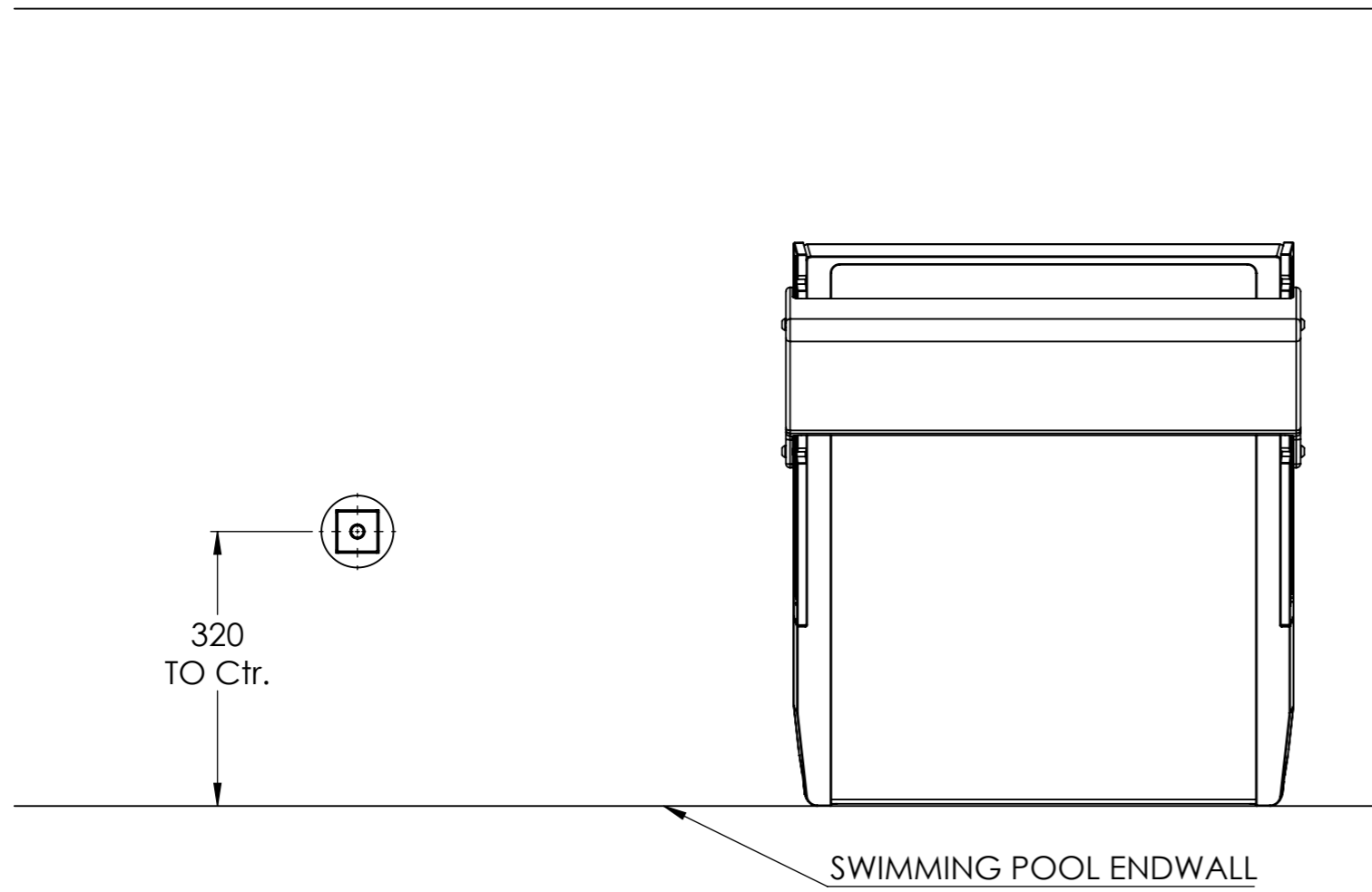


CLIENT: S.R. Smith		PROJECT: SRS AU Internal		 <i>Serious Equipment - Serious Fun - Access for All</i> SRSAustralia PTY LTD 12 Enterprise Street, Richlands QLD 4077 PO Box 4416, Forest Lake QLD 4078 P +61 7 3812 2283 F +61 7 3812 1187	
UNLESS OTHERWISE SPECIFIED: DIMENSIONS ARE IN MILLIMETERS		FINISH:			
SURFACE FINISH: TOLERANCES: LINEAR: ±10 mm ANGULAR: 1 deg					
DRAWN	NM	SIGNATURE	DATE	TITLE: 600/650L/VELOCITY STARTING BLOCK ANCHOR INSTALLATION	
CHK'D	MF		26/11/2019	DWG NO. SB-STD RD-ANC- 002	
APPV'D				SCALE: 1:8	
THE INFORMATION CONTAINED IN THIS DRAWING IS THE SOLE PROPERTY OF SRSMITH AUSTRALIA Pty Ltd. ANY REPRODUCTION IN PART OR IN WHOLE WITHOUT THE WRITTEN PERMISSION OF SRSMITH AUSTRALIA Pty Ltd IS PROHIBITED.				MATERIAL: FRP/316 SS	
				REVISION A	
				SHEET 2 OF 4	

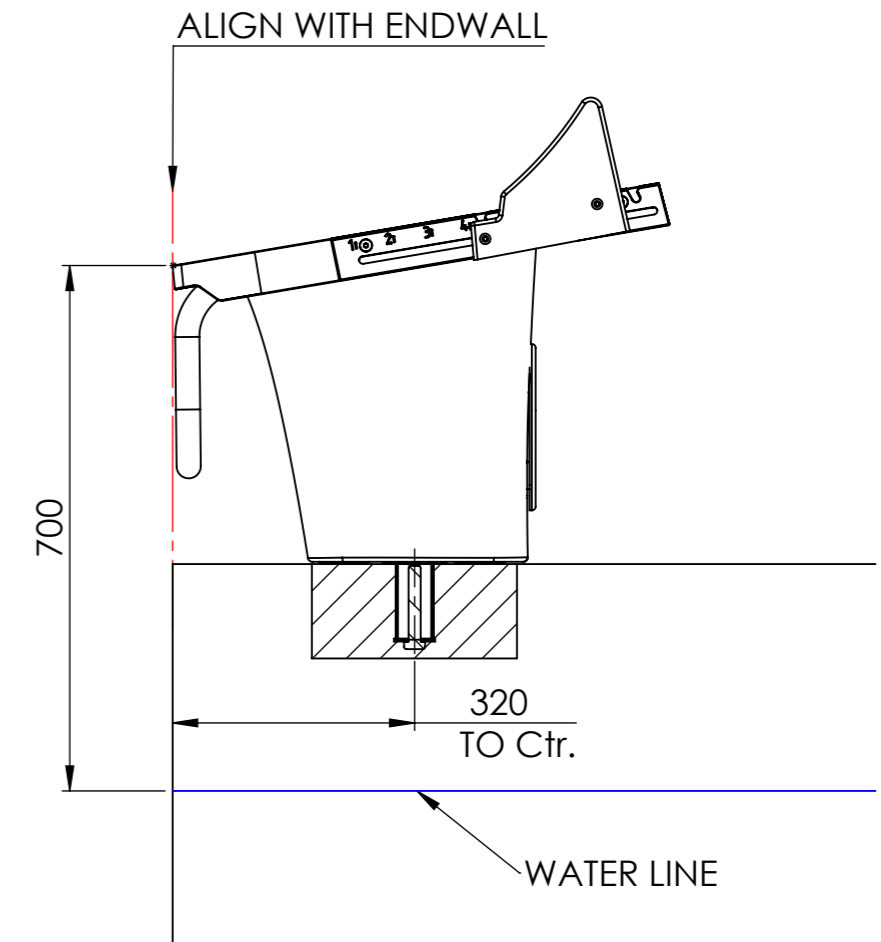
600/650 LAUNCH - QUICK RELEASE ANCHORING DETAILS

NOTE

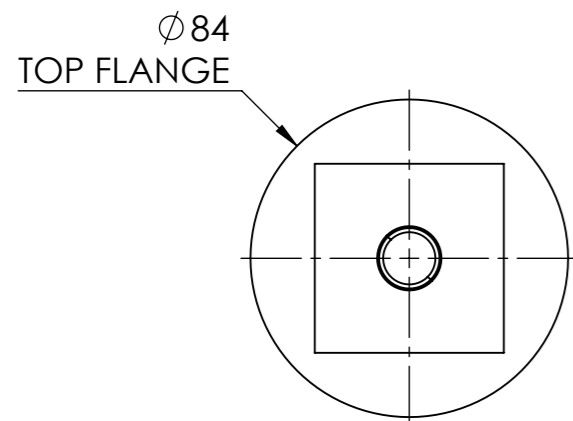
- SETBACK DIMENSIONS ARE FROM **FINISHED (TILED) ENDWALL**
- ANCHORS MUST BE INSTALLED WITH BLOCK



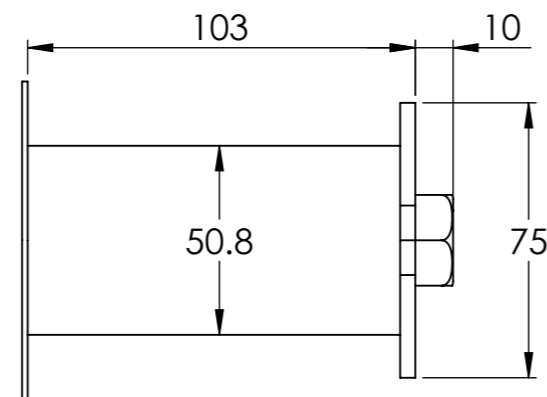
TOP VIEW



SIDE VIEW
SCALE 1 : 10



QUICK RELEASE ANCHOR



CLIENT:	S.R. Smith	PROJECT:	SRS AU Internal
UNLESS OTHERWISE SPECIFIED: DIMENSIONS ARE IN MILLIMETERS			
SURFACE FINISH:		FINISH:	
TOLERANCES: LINEAR: ±10 mm ANGULAR: 1 deg			
	NAME	SIGNATURE	DATE
DRAWN	NM		26/11/2019
CHK'D	MF		
APPV'D			



12 Enterprise Street, Richlands QLD 4077
PO Box 4416, Forest Lake QLD 4078
P +61 7 3812 2283 | F +61 7 3812 1187

TITLE:
600/650L QUICK RELEASE STARTING BLOCK ANCHOR INSTALLATION

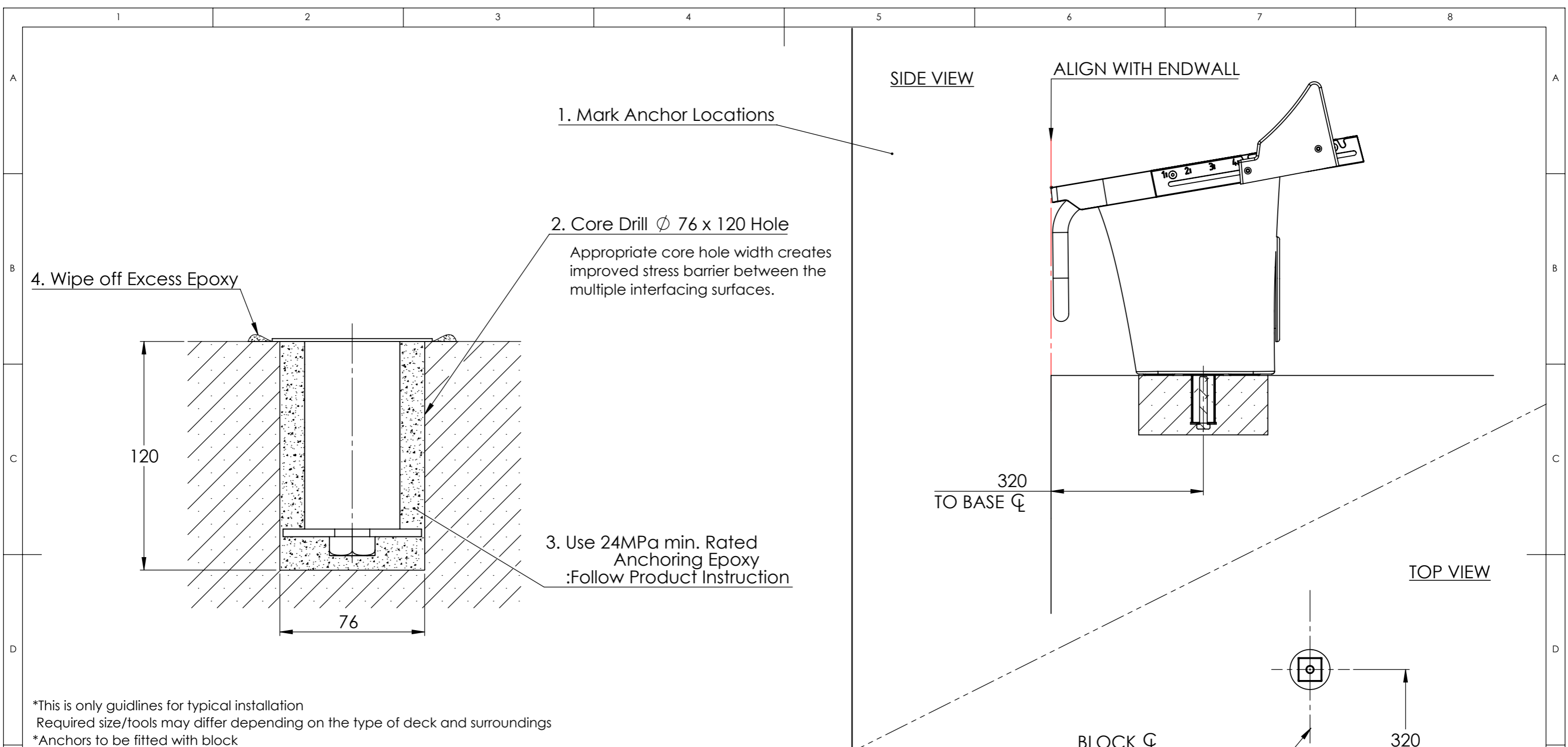
THE INFORMATION CONTAINED IN THIS DRAWING IS THE SOLE PROPERTY OF SRSMITH AUSTRALIA Pty Ltd. ANY REPRODUCTION IN PART OR IN WHOLE WITHOUT THE WRITTEN PERMISSION OF SRSMITH AUSTRALIA Pty Ltd IS PROHIBITED.

MATERIAL:
FRP/316 SS

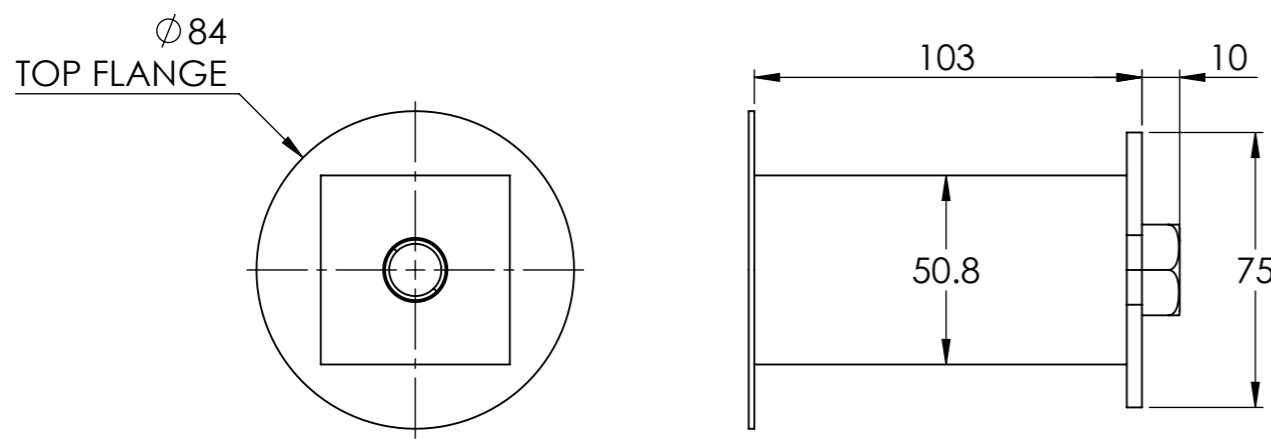
DWG NO.
SB-STD RD-ANC- 003

SCALE: 1:8 SHEET 3 OF 4

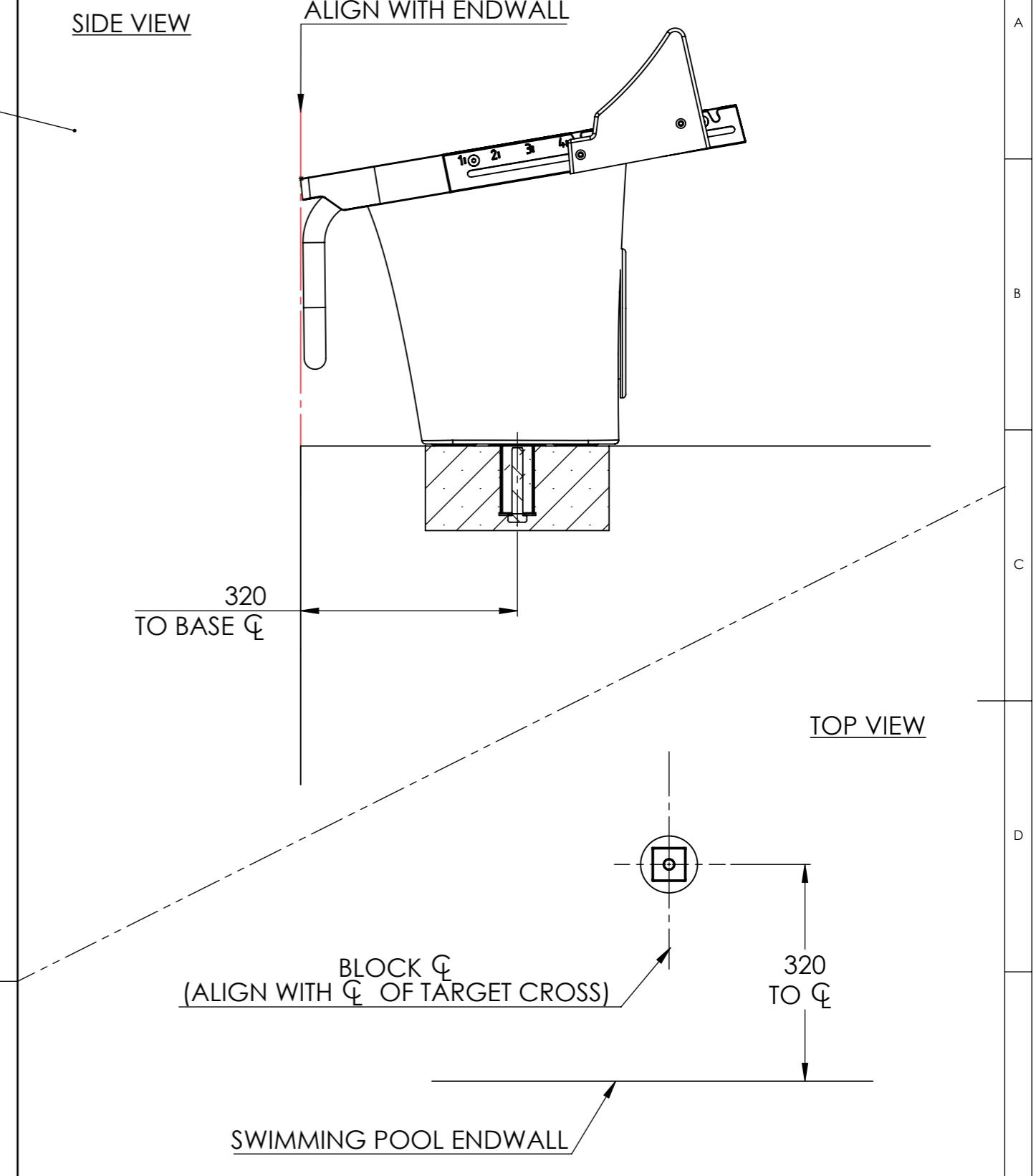
A3
REVISION
A



*This is only guidelines for typical installation
 Required size/tools may differ depending on the type of deck and surroundings
 *Anchors to be fitted with block



QUICK RELEASE ANCHOR
 SCALE 1 : 2



CLIENT: S.R. Smith		PROJECT: SRS AU Internal	
UNLESS OTHERWISE SPECIFIED: DIMENSIONS ARE IN MILLIMETERS		FINISH:	
SURFACE FINISH:			
TOLERANCES: LINEAR: ±10 mm			
ANGULAR: 1 deg			
NAME	SIGNATURE	DATE	
DRAWN NM		26/11/2019	
CHK'D MF			
APPV'D			DO NOT SCALE DRAWING
THE INFORMATION CONTAINED IN THIS DRAWING IS THE SOLE PROPERTY OF SRSMITH AUSTRALIA Pty Ltd. ANY REPRODUCTION IN PART OR IN WHOLE WITHOUT THE WRITTEN PERMISSION OF SRSMITH AUSTRALIA Pty Ltd IS PROHIBITED.		MATERIAL: FRP/316 SS	DWG NO. SB-STD RD-ANC- 004
		SCALE:1:8	SHEET 4 OF 4
			A3 REVISION A

SRSSmith
 Serious Equipment - Serious Fun - Access for All
 SRSAustralia PTY LTD
 12 Enterprise Street, Richlands QLD 4077
 PO Box 4416, Forest Lake QLD 4078
 P +61 7 3812 2283 | F +61 7 3812 1187

TITLE:
**600/650L QUICK RELEASE
 STARTING BLOCK ANCHOR INSTALLATION**