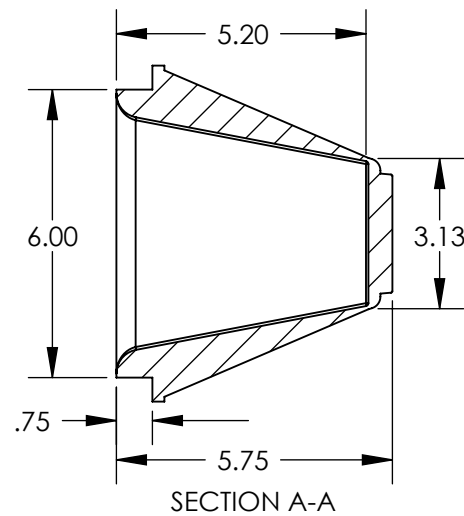
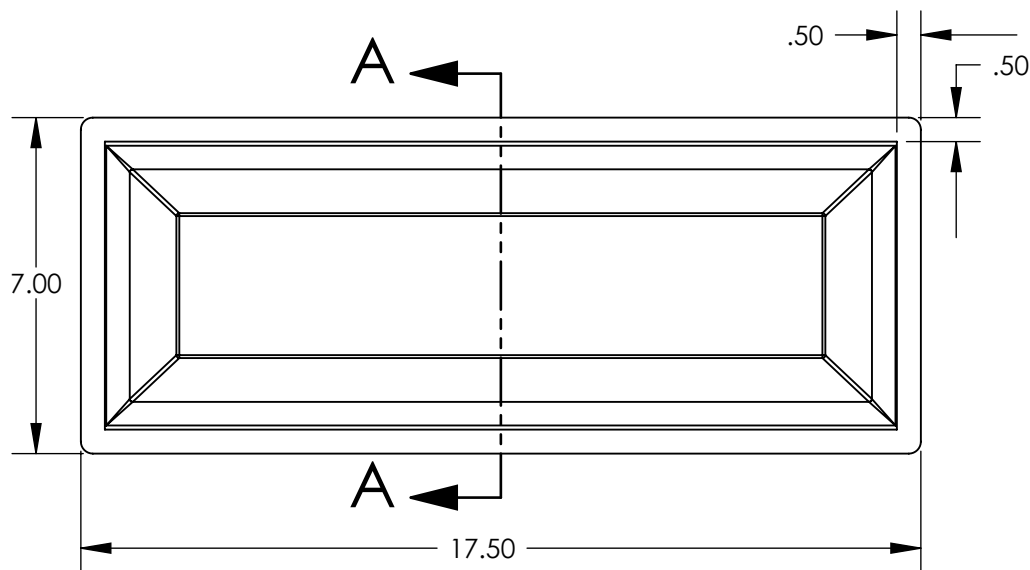


TEXTURED
INTERIOR SURFACE



UNLESS OTHERWISE SPECIFIED
DIMENSIONS ARE IN INCHES,
TOLERANCES ARE:
FRACTIONAL: $\pm 1/16$
ANGULAR: $\pm 1^\circ$
TWO PLACE DECIMAL: $\pm .06$
THREE PLACE DECIMAL: .. $\pm .031$

DESCRIPTION:		Recessed Step Sheet1	
MATERIAL:		ABS	
PART NO.:		62-209-4001	REV. A
DRAWN BY:	JPM	DATE:	8/20/07
CHECKED BY:		DATE:	



P.O. BOX 400 - 1017 S.W. BERG PARKWAY
CANBY, OREGON 97013
PHONE (503) 266-2231