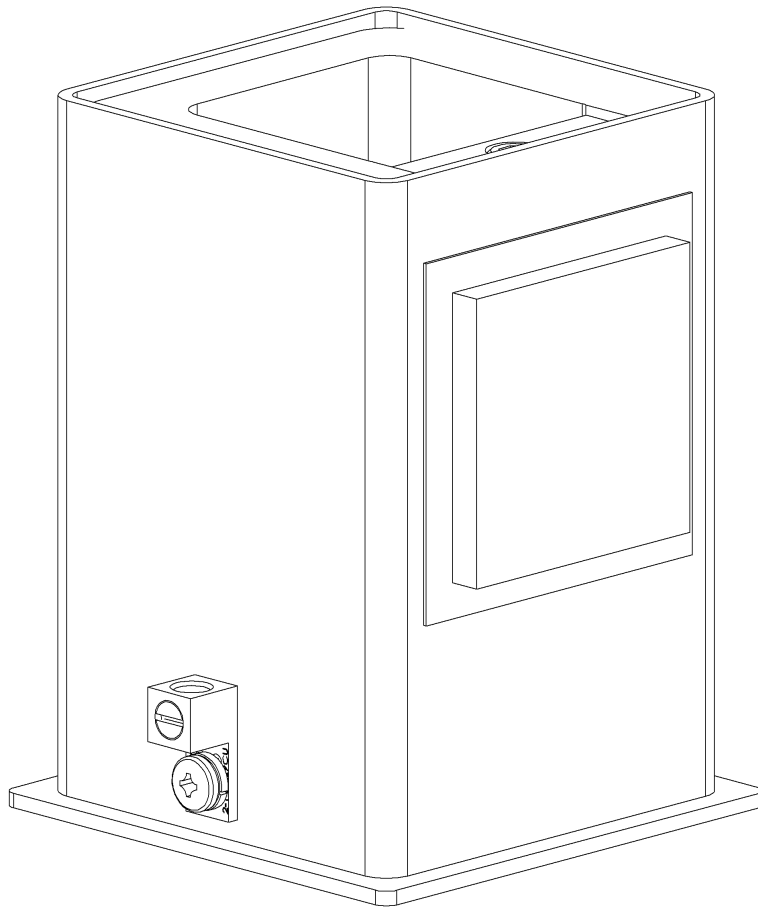




ROCKSOLID® SINGLE POST BASKETBALL ANCHOR

INSTALLATION INSTRUCTIONS



**CORPORATE HEADQUARTERS
WESTERN SALES AND MANUFACTURING PLANT
P.O. Box 400 • 1017 SW Berg Parkway
Canby, Oregon 97013
(503) 266-2231 • Fax (503) 266-4334
www.srsmith.com**

INTRODUCTION

The RockSolid® Single Post Basketball Anchor is designed for use on competitive or municipal pools. Proper installation, use, and maintenance are essential for proper operation and to reduce the risk of accident or injury.

****IMPORTANT****

Check entire box and inside all packing materials for parts. Before beginning assembly, read the instructions and identify parts using the figures and parts listed in this document. It is critical that all parts be carefully inspected by the installer prior to installation to ensure that no damage occurred in transit and that a damaged part is not used. Proper installation cannot be overstressed, as an improper installation voids S.R. Smith's warranty and may affect the safety of the user.

ADJUSTABLE SINGLE POST ANCHOR PARTS LIST

ITEM NO.	QTY.	PART NO.	DESCRIPTION
1	Not Included With Anchors	4-213	CUSTOM HEX KEY (ALLEN) WRENCH 1/4" (INCLUDED WITH LONG REACH STANDS)
2	1	20-139	ANCHOR HOUSING
3	1	4-602	ANCHOR INSERT, SINGLE POST
4	1	4-113-1	ANCHOR CAP, SINGLE POST
5	1	5-404	GROUND LUG, KPA-4C
6	1	5-149	LOCK WASHER, 1/4", SPLIT, S/S
7	1	5-133	SCREW, 1/4-20 X 3/8 PHILLIPS, S/S
8	-	20-241	TOP/BTM WEDGE ASM SINGLE POST BRASS
9	1	5-168	5/16-18 X 5, SCH CAP SCREW S/S
10	1	8-131	TOP WEDGE-SINGLE POST BRASS
11	2	5-197	COMPRESSION SPRING
12	1	8-408	BOTTOM WEDGE-SINGLE POST BRASS
13	-	20-240	MIDDLE WEDGE ASM SINGLE POST BRASS
14	2	5-101	CLEVIS PIN, 1/4" X 3/4", S/S GROOVED
15	2	05-14-111	1/4" FLAT WASHER 316 S/S
16	2	5-198	WAVE SPRING S/S
17	1	4-411	MIDDLE WEDGE SINGLE POST BRASS

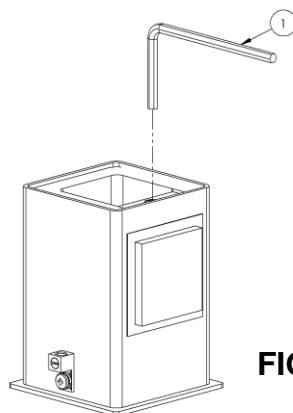


FIGURE 1

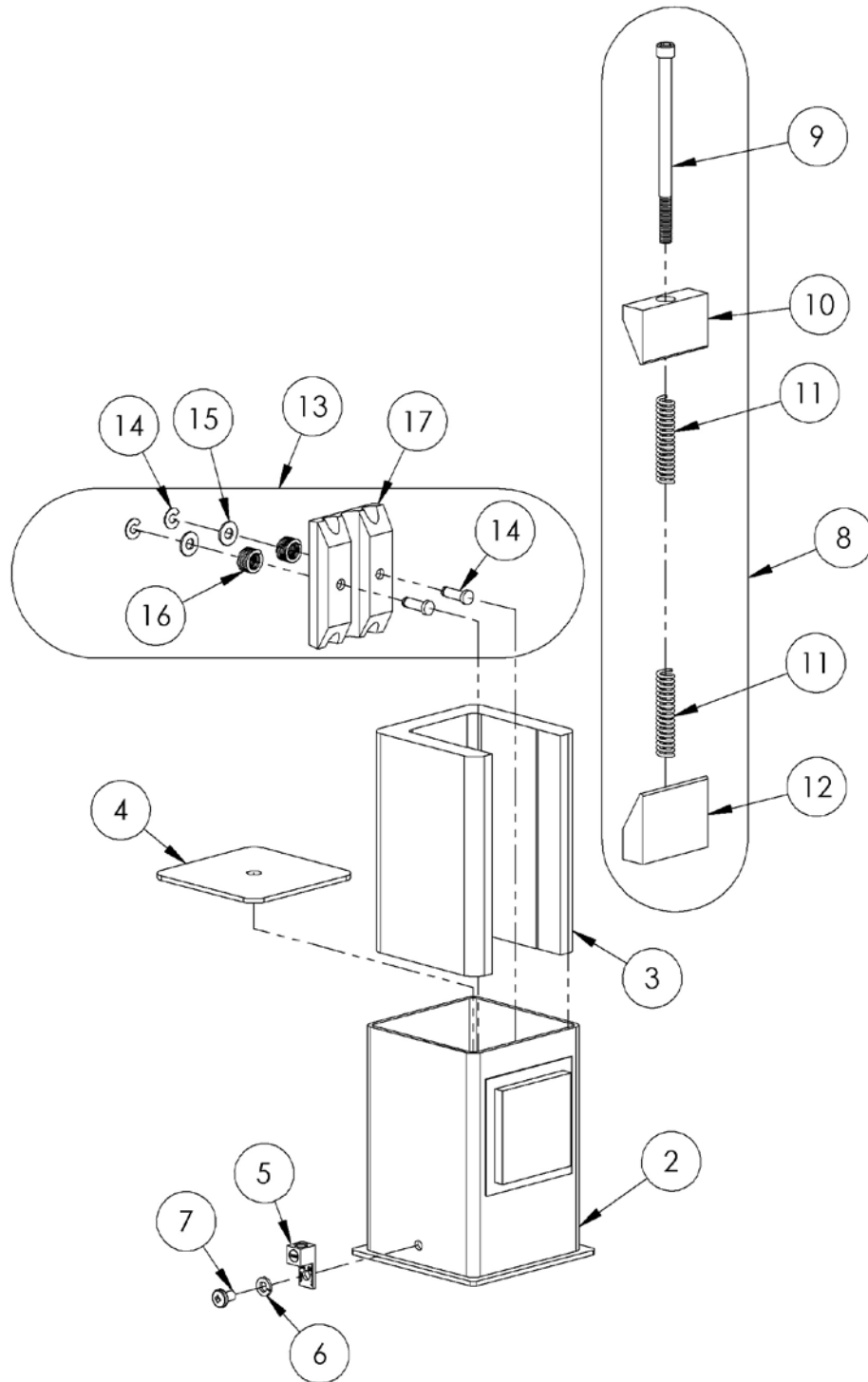
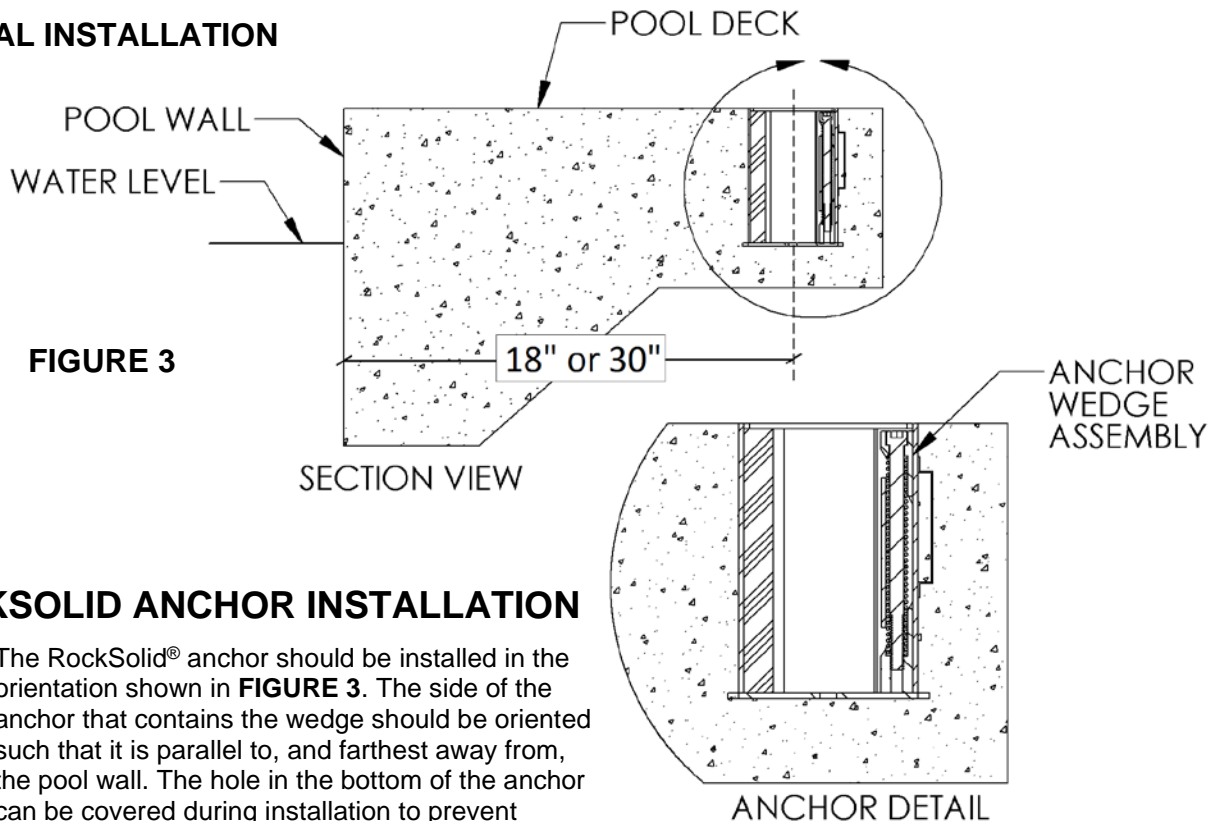


FIGURE 2

PLACEMENT INSTRUCTIONS

POSITION THE TOP OF THE ANCHOR BODY FLUSH WITH THE POOL DECK. The adjustable anchor can be installed in an existing pool deck or set when pouring a new concrete deck.

TYPICAL INSTALLATION



ROCKSOLID ANCHOR INSTALLATION

1. The RockSolid® anchor should be installed in the orientation shown in **FIGURE 3**. The side of the anchor that contains the wedge should be oriented such that it is parallel to, and farthest away from, the pool wall. The hole in the bottom of the anchor can be covered during installation to prevent concrete/epoxy from entering the anchor, but needs to clear during use to allow for the anchor to drain.
2. The setback for the anchor must be set using the correct distance from the pool wall and with at least 6" from any control joint or edge of concrete slab. See installation instructions for correct setback distances for your basketball game installation. The proper installation of the anchor depends on the construction and condition of the deck. If the deck meets the thickness and reinforcing requirements shown in Appendix A then the anchor can be installed according to the instructions outlined in Appendix A, or you can consult with an engineering professional.
3. If installing the RockSolid® anchor into an existing deck, core drill at least a 6-½-inch diameter hole at the chosen location for each anchor. If the deck is new construction the anchor must be braced so it is not moved from its proper position during pouring of the deck.
4. Properly ground the anchor socket using the attached grounding lug and the appropriate grounding wire per local codes. If electrical bonding is required by the local governmental regulations, it shall be done in accordance with Article No. 680 of the current National Electrical Code or the local code whichever is greater.
5. Align the anchor so that the side of the anchor that contains the wedge is oriented parallel to, and farthest away from the pool wall. Make sure the top of the anchor is flush with the pool deck and that the anchor is level and plumb.
6. With the anchor completely checked for level and plumb in the selected position, pour hydraulic cement or high strength epoxy into the hole making sure there are no void spaces if installing in an existing deck. If installation is new construction, ensure that the anchor is in its proper location and square to the pool wall before pouring concrete.
7. Let cement/grout cure for 24 hours (or minimum manufacturer's recommendations) before installing the basketball game in the anchor.

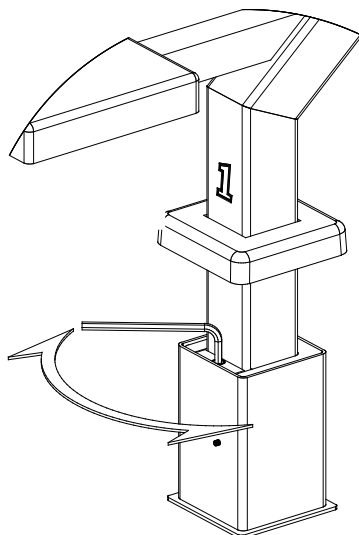


FIGURE 4

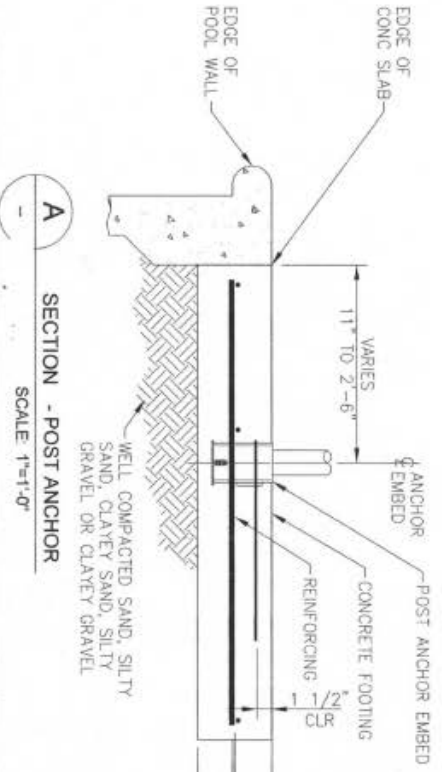
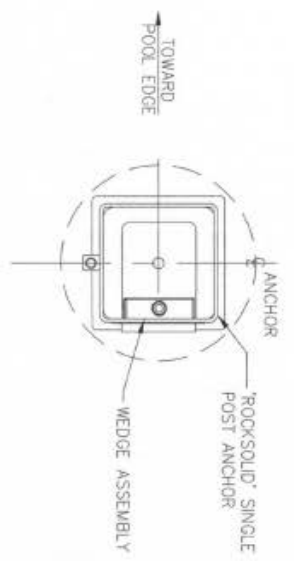
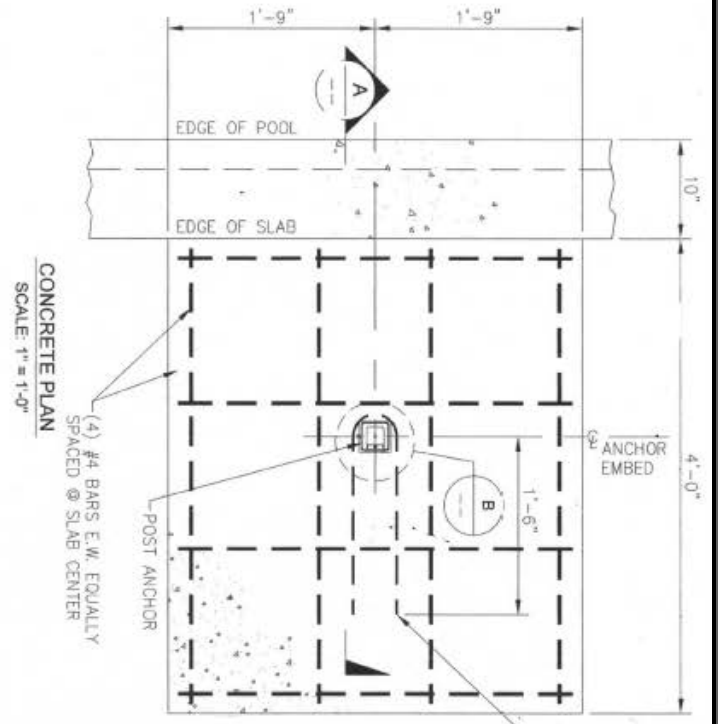
BASKETBALL GAME INSTALLATION AND REMOVAL:

When placing a post into an anchor it's important to follow these simple instructions.

1. Loosen bolt using a ¼" ALLEN wrench, turning wrench in a counter-clockwise direction as seen from looking down. See **FIGURE 4**.
2. Make sure that the opening size directly adjacent to anchor bolt is between 2-9/16" (65mm) and 2-5/8" (66.7mm) wide. **The opening in this direction should never exceed 2-5/8" (66.7mm) or the anchor will disassemble!**
3. Place escutcheon over frame tube orienting as shown above.
4. Place frame tube into anchor making sure that the frame rests completely on the bottom of the anchor and the forward edge of the Basketball Game faces the pool edge.
5. Tighten ALLEN wrench in the clockwise direction until anchor wedge contacts the post and no forward or backward motion can be felt. When tightening anchor wedge, never exceed 8 Ft-Lbs of torque. Anchor bolt should be snug but never over tightened.
6. To remove, lift escutcheon, insert ALLEN wrench into anchor bolt and turn counter-clockwise two (2) full turns. Lift and remove post. DO NOT continue to loosen anchor bolt or remove anchor bolt for any reason.

SAFETY & MAINTENANCE INSTRUCTIONS

- Periodically inspect the RockSolid® Anchor to assure there are no worn parts and that all hardware is properly tightened.
- All stainless steel parts require periodic maintenance. Cleaning with a cotton cloth and a Windex-type product maintains the finish.
- Keep anchor covered when not in use and make sure that anchor cavity remains clean and free of obstructions.



- GENERAL NOTES:**
1. NORMAL WEIGHT OF CONCRETE = 150 lbs/ft³
 2. CONCRETE MINIMUM COMPRESSIVE STRENGTH AT 28 DAYS TO BE f'_c = 2500 psi.
 3. REINFORCING BARS SHALL CONFORM TO ASTM A615, GRADE 60, DEFORMED.
 4. ASSUMED SOIL BEARING CAPACITY OF 1000 psf.
 5. SOIL ASSUMED TO BE WELL COMPACTED SAND, SILTY SAND, CLAYEY SAND, SILTY GRAVEL OR CLAYEY GRAVEL.

APPENDIX A

PROPRIETARY AND CONFIDENTIAL: THE INFORMATION CONTAINED IN THIS DRAWING IS THE SOLE PROPERTY OF S.R. SMITH LLC. ANY REPRODUCTION IN PART OR AS A WHOLE WITHOUT THE WRITTEN PERMISSION OF S.R. SMITH LLC, IS PROHIBITED.		UNLESS OTHERWISE SPECIFIED DIMENSIONS ARE IN INCHES, TOLERANCES ARE: FRACTIONAL: ± 1/16 ANGULAR: ± 1° TWO PLACE DECIMAL: ± .06 THREE PLACE DECIMAL: ± .031	
DESCRIPTION: VELOCITY FOOTING PLAN		MATERIAL: N/A PART NO.: N/A REV.: A	
DRAWN BY: ZHB	DATE: 7/19/2021	CHECKED BY: DATE	DATE: 7/19/2021
SITE: A	SCALE: 1:4	SHEET: 1 OF 1	SR Smith™ P.O. BOX 400 - 1017 S.W. BERG PARKWAY CANBY, OREGON 97013 PHONE (503) 266-2231