



# Summary of Instructions and Warnings for Using the PAL – Portable Aquatic Patient Hoist

Read and Follow all User Instructions listed in the Owner's Manual before use  
Read and Follow all Caution, Warning labels located on the hoist before use

## Warnings and Safety Summary



**DANGER – FAILURE TO FOLLOW THESE WARNINGS, INSTRUCTIONS AND THE OWNER'S MANUAL MAY RESULT IN SERIOUS INJURY OR DEATH**

### **WARNING**

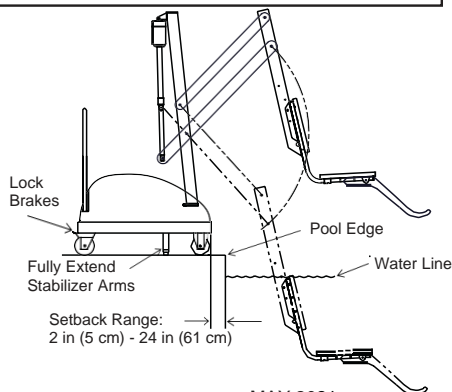
- **ADULT USE ONLY** – Use by children with adult supervision only. Only persons healthy enough for water activities should use the PAL. Users should consult with their physician to determine if water activities are appropriate for the User.
- Seat belt is to be used at all times during user transfer.
- Hoist must be positioned on firm level ground not to exceed a slope of 2°.
- **NO JUMPING/DIVING/CLIMBING** – Do not jump/dive from or climb on hoist.
- **TIP OVER HAZARD** – Stabilizing arms must be fully extended before each use and must be used at all times when a user is seated. The hoist may not be used without the stabilizing arms fully extended. Never attempt to retract the stabilizer arms when the hoist is in use. Do not reposition the hoist when hoist is in use.
- **UNINTENDED MOVEMENT/TIP OVER HAZARD** – Rear wheels must be locked at all times while the hoist is in use. Ensure proper ballast weights are installed in base before each use.
- **TIP OVER HAZARD** – Do not use the hoist to transport a user from place to place.
- **TIP OVER HAZARD** – Limit for use is **ONE PERSON** weighing less than the maximum weight limit of - 300lbs (136kg). Use only for transfer of user not as a hoist or crane.
- **PINCH/CRUSH HAZARD** – Always keep hands and fingers clear of lift arms during use.
- The battery must be completely removed from hoist and located away from pool deck for charging.

### **CAUTION**

- **BATTERY CHARGE LEVEL** – Check Battery Level before each use. Battery must show **GREEN** >50% charge level before use. When **YELLOW** <50% charge level is shown the battery must be fully charged before use. When **RED** <25% charge level is shown the hoist must not be used and the battery must be fully charged before use.
- **DAMAGE MAY RESULT** – Do not use the seat or seat frame to move or position the PAL.
- **DAMAGE MAY RESULT** - Do not allow excessive moisture to collect in the battery case, it can affect battery and hoist performance and could lead to battery failure and/or the hoist failing to operate.

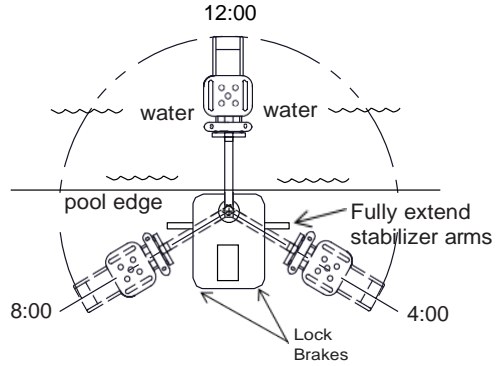
## POSITIONING THE PAL

- Do maintain a firm grip on the handle - use care when positioning the PAL, it is heavy (1060lb/481kg).
- Do position the PAL on firm level ground not to exceed a slope of 2° and in an area that allows plenty of room for transferring to and from a wheelchair.
- Locate the PAL so that the front of the hoist is facing the edge of the pool within a minimum distance of 2" (5cm) to a maximum distance of 24" (61cm) set back from the edge of the pool.
- Do fully extend both stabilizing arms.
- Do lock both rear wheels.



## TRANSFERRING

- Do transfer onto seat, ensuring user's weight is centered on seat.
- Do fasten seat belt or optional stability vest.
- Do rotate seat to 12:00 position, over water.
- Do lower seat into pool.
- Do unfasten seat belt or optional stability vest – transfer into water.
- Do when finished, return to seat, ensuring user's weight is centered on seat.
- Do fasten seat belt or optional stability vest.
- Do rotate seat to original transfer position of 12:00.
- Do raise/lower seat to proper transfer height.
- Do unfasten seat belt or optional stability vest – transfer off seat.



## MAINTENANCE and CLEANSING

- Do keep all electronic components clean and dry.
- Do keep the Console/Battery cover installed at all times.
- Do not allow disinfection solution to have direct contact with the skin and eyes.
- Do refer to Owner's manual for weekly / monthly hoist maintenance and cleansing.

Perform the following schedule to ensure proper operation before each use:

Maintenance Performed Before Each Use	Daily	Weekly	Monthly
Check battery level before each use / Charge battery daily	✓		
Wipe Control Box and battery connection with a clean dry rag	✓		
Examine hoist for any damage, loose or missing hardware	✓		
Test all control buttons (hand and control box) for normal operation	✓		
Spray gear assembly with a heavy-duty rust inhibitor/lubricant such as LPS 3 - Heavy-Duty Inhibitor		✓	
Make sure all cable connections are properly secured			✓
Inspect hoist frame, mast, support arm and seat assembly for rust			✓
Inspect weight stack for rust/treat with touch up paint			✓
<b>Cleansing Performed After Each Use</b>			
Rinse seat and seatbelt/stability vest with fresh water between each use - Cleanse seat and seatbelt/stability vest with a disinfectant solution of 1:100 dilution of household bleach to fresh water and then rinse with fresh water and dry entire hoist daily. In the event of a contamination incident such patient/user excreta - cleanse seat and seatbelt/stability vest immediately with the disinfectant solution*	✓		
Cleanse all battery connections with a nylon scouring pad			✓
Cleanse all metallic surfaces with a cleaner wax to maintain the finish of the hoist			✓

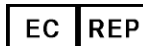
\* When using the disinfection solution, avoid direct contact with the skin and eyes. In the event of a contamination incident, immerse the seat belt or stability vest in the disinfection solution for 10 min. and then rinse thoroughly with fresh water.



700-1100EU



S.R. Smith, LLC PO  
Box 400  
1017 SW Berg Parkway  
Canby, Oregon 97013 USA  
Phone: 503-266-2231  
Fax: 503-266-4334  
www.srsmith.com  
Assembled in the USA



QNET BV  
Kantstraat 19  
NL-5076 NP Haaren  
The Netherlands  
qnet@ce-mark.com  
qnet@ce-authorizedrepresentative.eu  
www.ce-mark.com  
www.ce-authorizedrepresentative.eu



MAY 2021