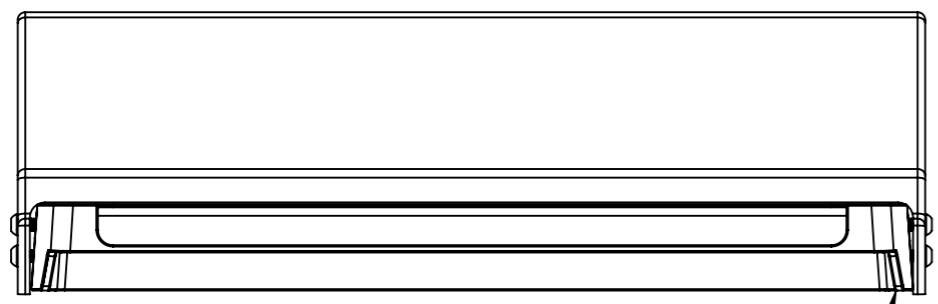
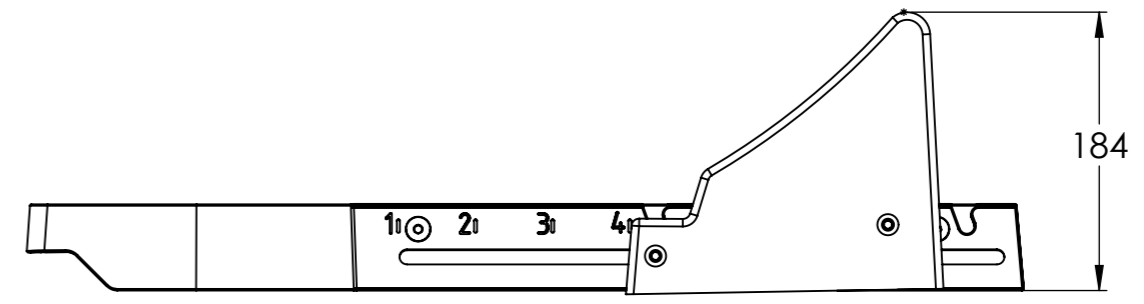



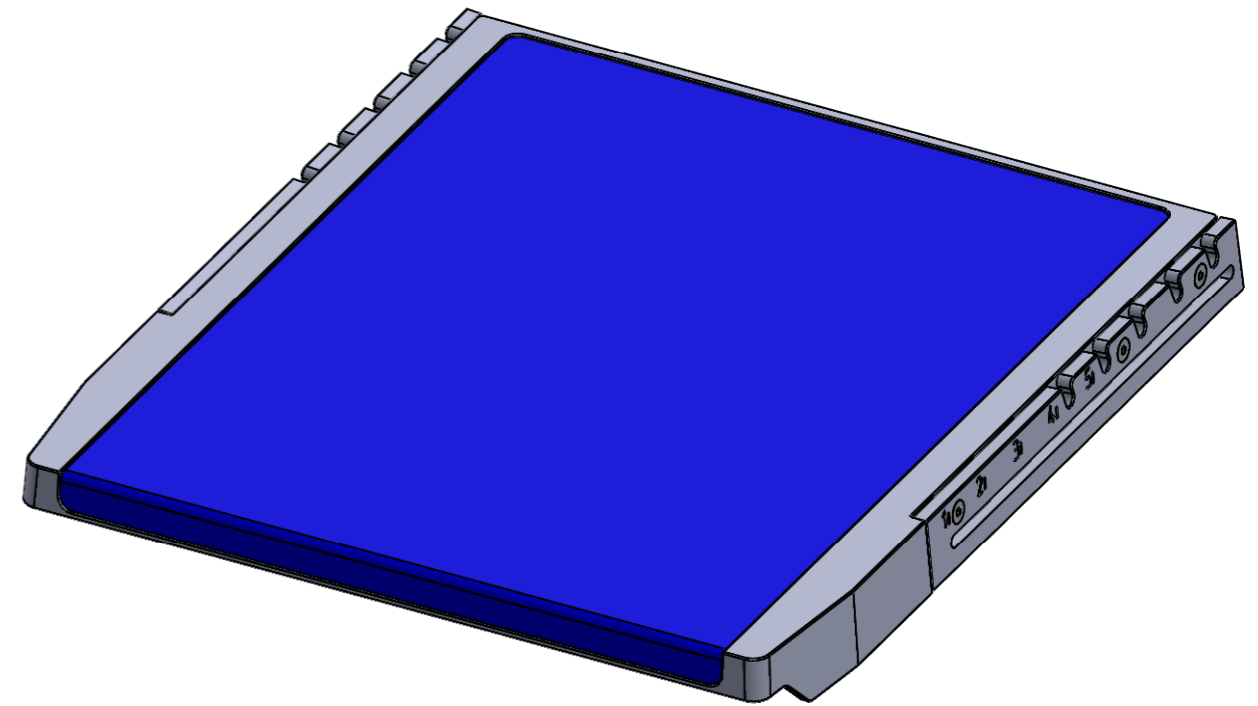
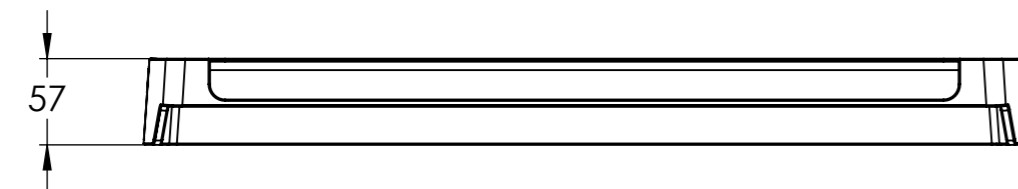
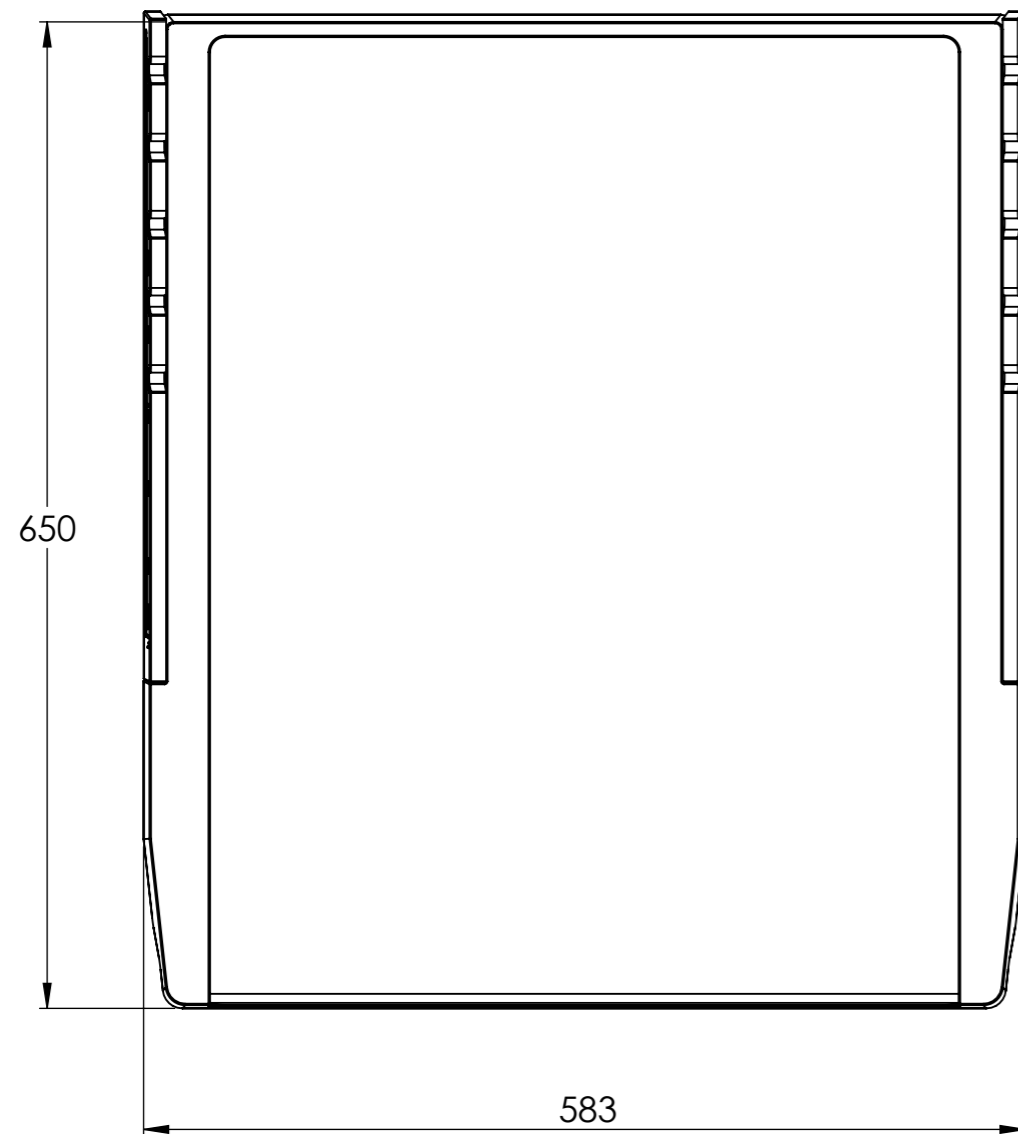
ISOMETRIC VIEW
650 LAUNCH PLATFORM



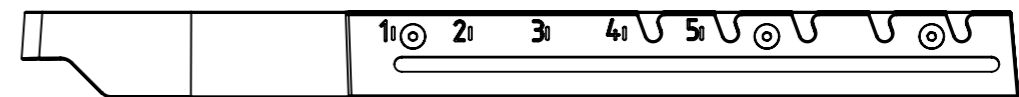
10 TYP. THICKNESS




CLIENT: S.R.Smith AU		PROJECT: AU Internal project		 Serious Equipment - Serious Fun - Access for All SRSAustralia PTY LTD 12 Enterprise Street, Richlands QLD 4077 PO Box 4416, Forest Lake QLD 4078 P +61 7 3812 2283 F +61 7 3812 1187	
UNLESS OTHERWISE SPECIFIED: DIMENSIONS ARE IN MILLIMETERS SURFACE FINISH: TOLERANCES: LINEAR: ±10 mm ANGULAR: 1 deg		FINISH:			
NAME	SIGNATURE	DATE		TITLE: 25-61-650-TA-R 650 LAUNCH PLATFORM	
DRAWN NM		23/09/2019			
CHK'D					
APPV'D				DO NOT SCALE DRAWING	
THE INFORMATION CONTAINED IN THIS DRAWING IS THE SOLE PROPERTY OF SRSMITH AUSTRALIA Pty Ltd. ANY REPRODUCTION IN PART OR IN WHOLE WITHOUT THE WRITTEN PERMISSION OF SRSMITH AUSTRALIA Pty Ltd IS PROHIBITED.			MATERIAL: FRP/316 SS		DWG NO. RETRO P-650L -001
			SCALE: 1:5		SHEET 1 OF 2 A3 REVISION A



ISOMETRIC VIEW
650 PLATFORM W/O ADJUSTABLE START



CLIENT: S.R.Smith AU		PROJECT: AU Internal project		 <i>Serious Equipment - Serious Fun - Access for All</i> SRSAustralia PTY LTD 12 Enterprise Street, Richlands QLD 4077 PO Box 4416, Forest Lake QLD 4078 P +61 7 3812 2283 F +61 7 3812 1187	
UNLESS OTHERWISE SPECIFIED: DIMENSIONS ARE IN MILLIMETERS		FINISH:			
SURFACE FINISH: TOLERANCES: LINEAR: ±10 mm ANGULAR: 1 deg					
	NAME	SIGNATURE	DATE	TITLE: 25-61-650-TA-R 650L W/O ADJUSTABLE START	
DRAWN	NM		23/09/2019	DWG NO. RETRO P-650L -002	
CHK'D				SCALE: 1:5	
APPV'D				SHEET 2 OF 2	
THE INFORMATION CONTAINED IN THIS DRAWING IS THE SOLE PROPERTY OF SRSMITH AUSTRALIA Pty Ltd. ANY REPRODUCTION IN PART OR IN WHOLE WITHOUT THE WRITTEN PERMISSION OF SRSMITH AUSTRALIA Pty Ltd IS PROHIBITED.			MATERIAL: FRP/316 SS		A3
					REVISION A