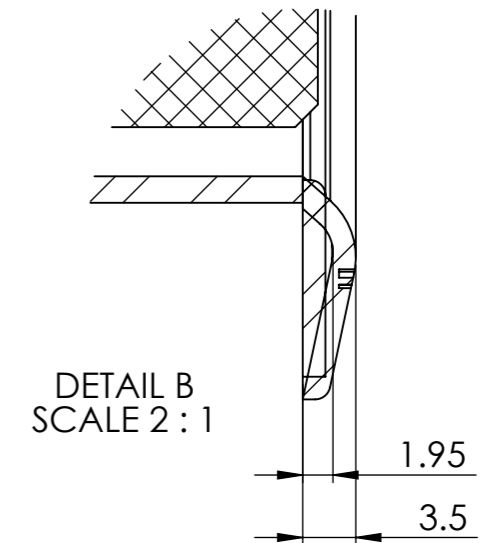
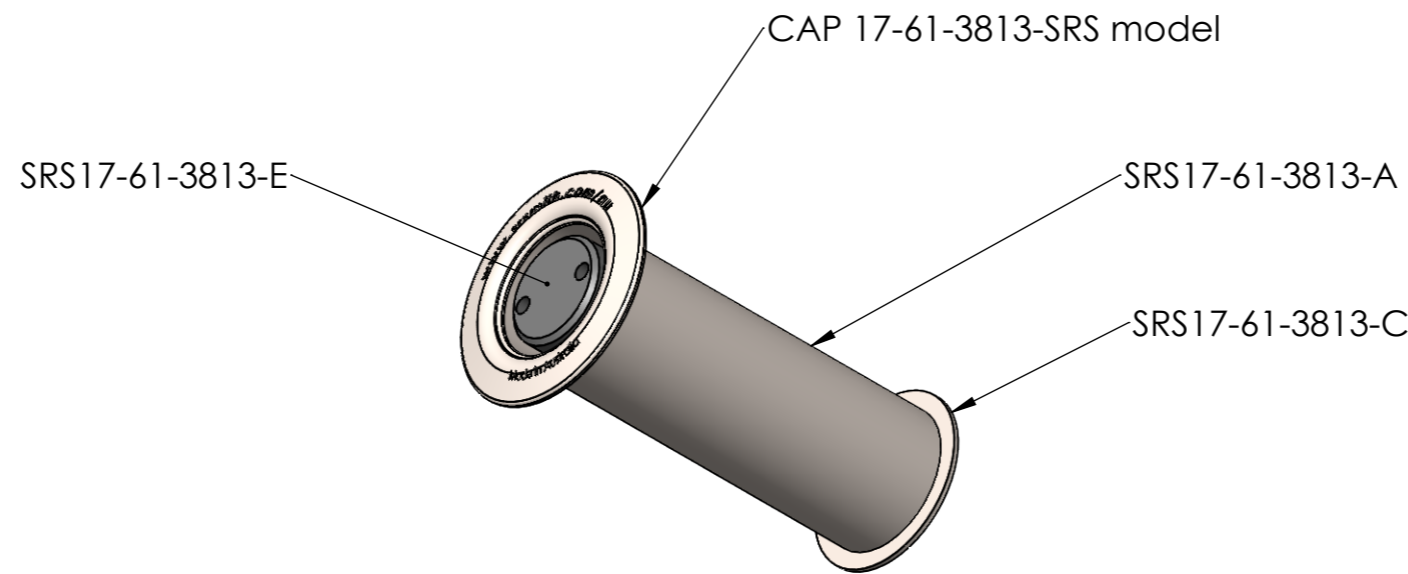
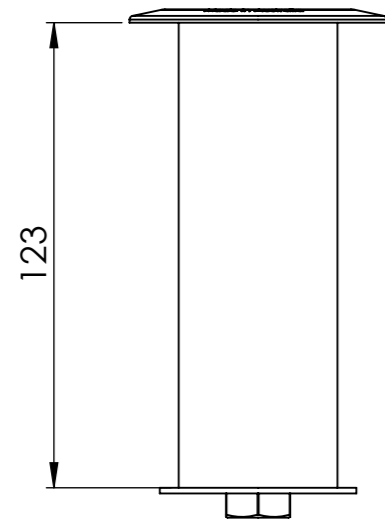
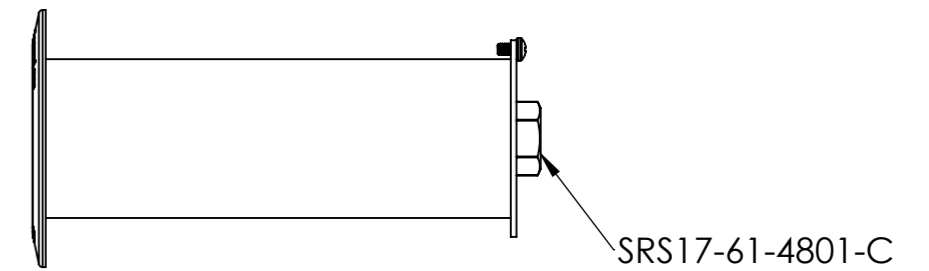
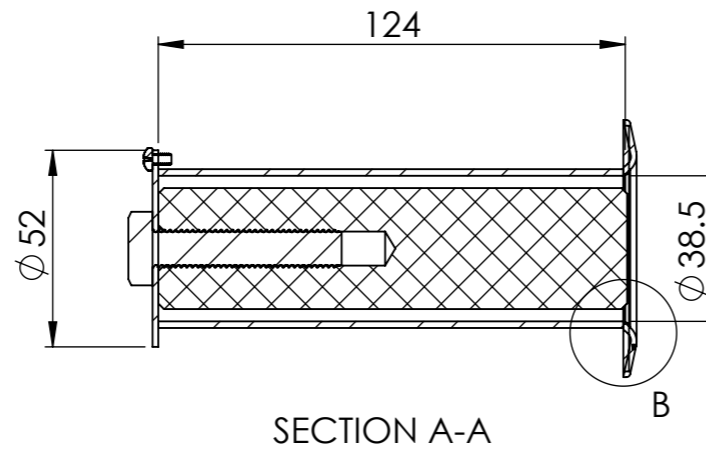
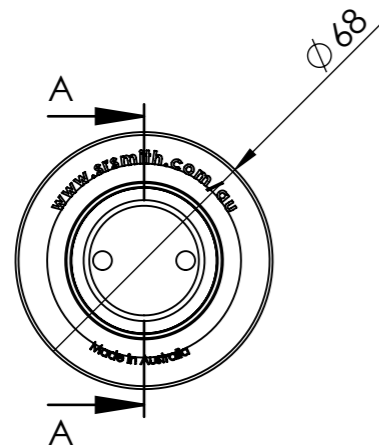


ITEM NO.	PART NUMBER	DESCRIPTION	QTY.
1	SRS17-61-3813-A	316 DECK HOLE 38MM, TUBE BODY	1
2	SRS17-61-3813-C	316 DECK HOLE 38MM, BTM CAP	1
3	SRS17-61-4801-C	DECK HOLE -SSHHCSM1050MM	1
4	SRS17-61-3813-E	DECK HOLE - NYLON 26OD	1
5	CAP 17-61-3813-SRS model		1



CLIENT:		PROJECT:		 <i>Serious Equipment - Serious Fun - Access for All</i> SRSAustralia PTY LTD 12 Enterprise Street, Richlands QLD 4077 P +61 7 3812 2283 F +61 7 3812 1187	
UNLESS OTHERWISE SPECIFIED: DIMENSIONS ARE IN MILLIMETERS		FINISH: Polished S/S			
SURFACE FINISH:					
DRAWN	OEH	SIGNATURE	DATE	TITLE: 17-61-3813 Ø 38 DECK HOLE SS 316	
CHK'D			03/08/16	DWG NO. 17-61-3813-SRS MODEL	
APPV'D				SCALE: 1:2	
THE INFORMATION CONTAINED IN THIS DRAWING IS THE SOLE PROPERTY OF SRSMITH AUSTRALIA Pty Ltd. ANY REPRODUCTION IN PART OR IN WHOLE WITHOUT THE WRITTEN PERMISSION OF SRSMITH AUSTRALIA Pty Ltd IS PROHIBITED.			MATERIAL: 316L SS		A3
			WEIGHT:		REVISION 1
			SCALE: 1:2		SHEET 1 OF 2