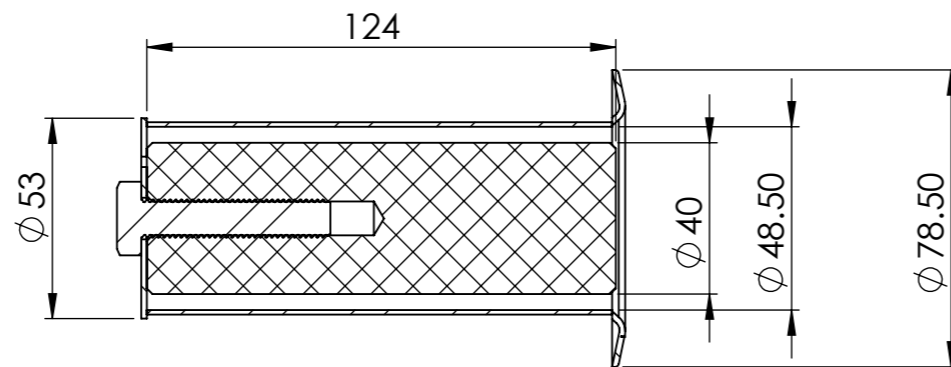
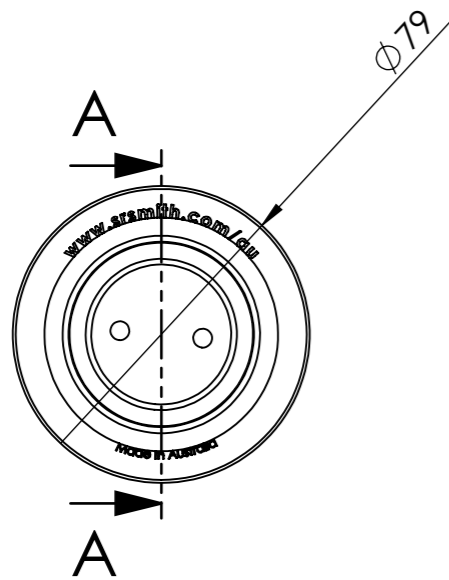
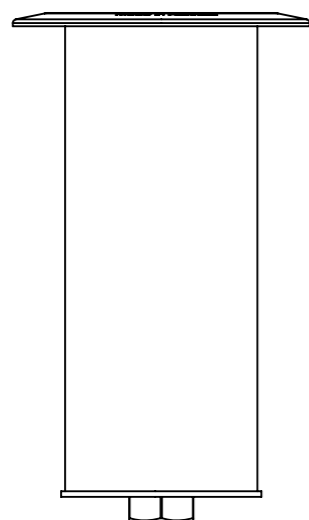
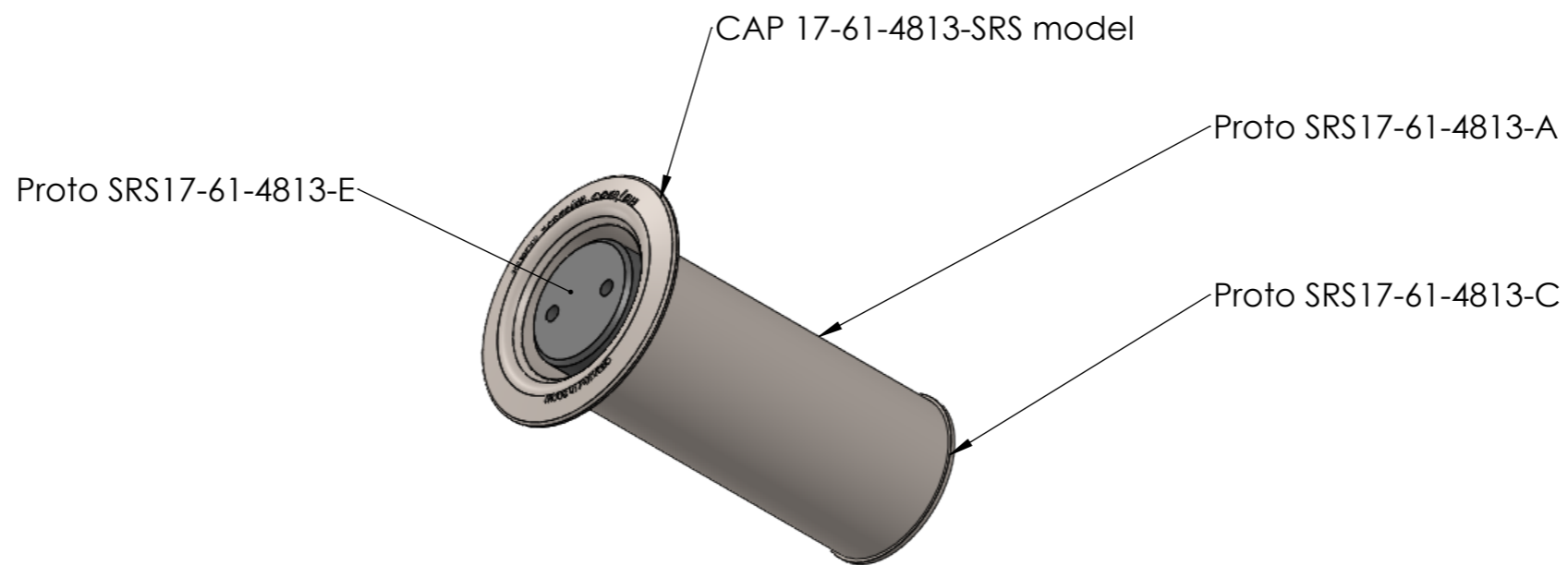
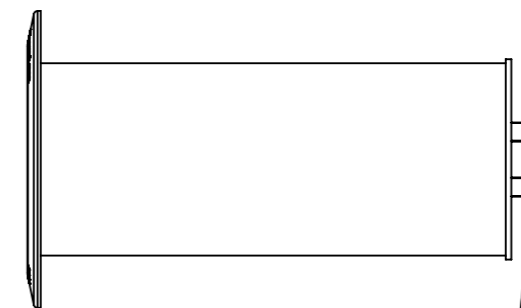



ITEM NO.	PART NUMBER	DESCRIPTION	QTY.
1	Proto SRS17-61-4813-A		1
2	Proto SRS17-61-4813-C		1
3	CAP 17-61-4813-SRS model		1
4	Proto SRS17-61-4801-C	DECK HOLE -SSHHCSM1050MM	1
5	Proto SRS17-61-4813-E	DECK HOLE - NYLON 26OD	1



SECTION A-A



CLIENT:		PROJECT:		 <i>Serious Equipment - Serious Fun - Access for All</i> <b>SRSAustralia PTY LTD</b> 12 Enterprise Street, Richlands QLD 4077 P +61 7 3812 2283   F +61 7 3812 1187	
UNLESS OTHERWISE SPECIFIED: DIMENSIONS ARE IN MILLIMETERS		FINISH: Polished S/S			
SURFACE FINISH:					
TOLERANCES: LINEAR: ANGULAR:					
	NAME	SIGNATURE	DATE	TITLE: <b>Concept for Quote 48mm Anchor</b>	
DRAWN	OEH		03/08/16		
CHK'D					
APPV'D				DO NOT SCALE DRAWING	
THE INFORMATION CONTAINED IN THIS DRAWING IS THE SOLE PROPERTY OF SRSMITH AUSTRALIA Pty Ltd. ANY REPRODUCTION IN PART OR IN WHOLE WITHOUT THE WRITTEN PERMISSION OF SRSMITH AUSTRALIA Pty Ltd IS PROHIBITED.				MATERIAL: 316L SS	DWG NO. 17-61-4813-SRS MODEL
				WEIGHT:	SCALE:1:2
				SHEET 1 OF 1	
				A3	
				REVISION 1	