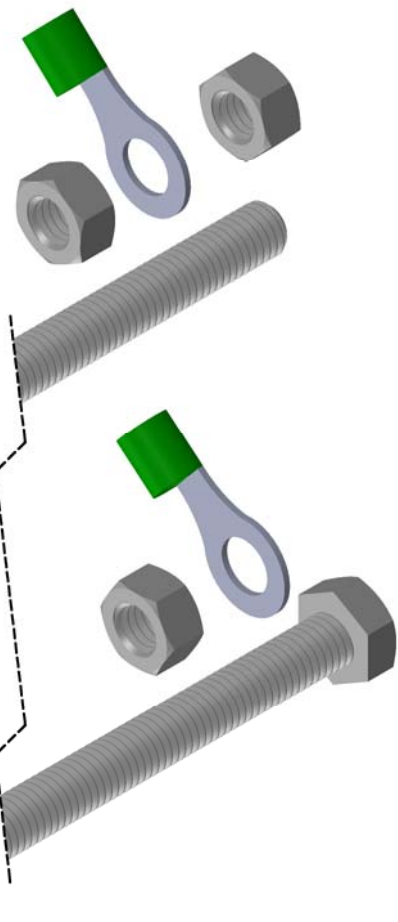
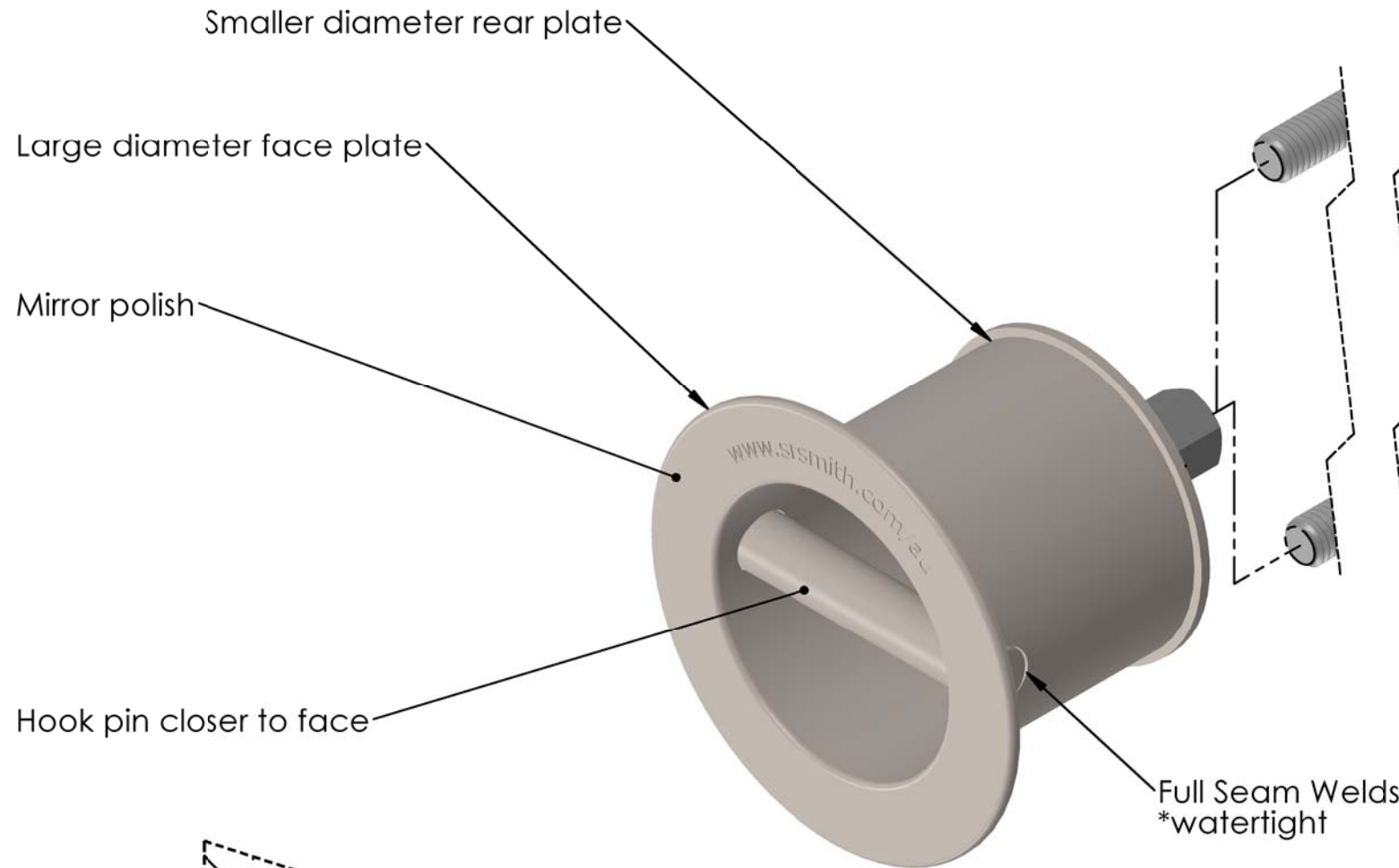


Stainless Steel SRSmith Lane Line Anchor

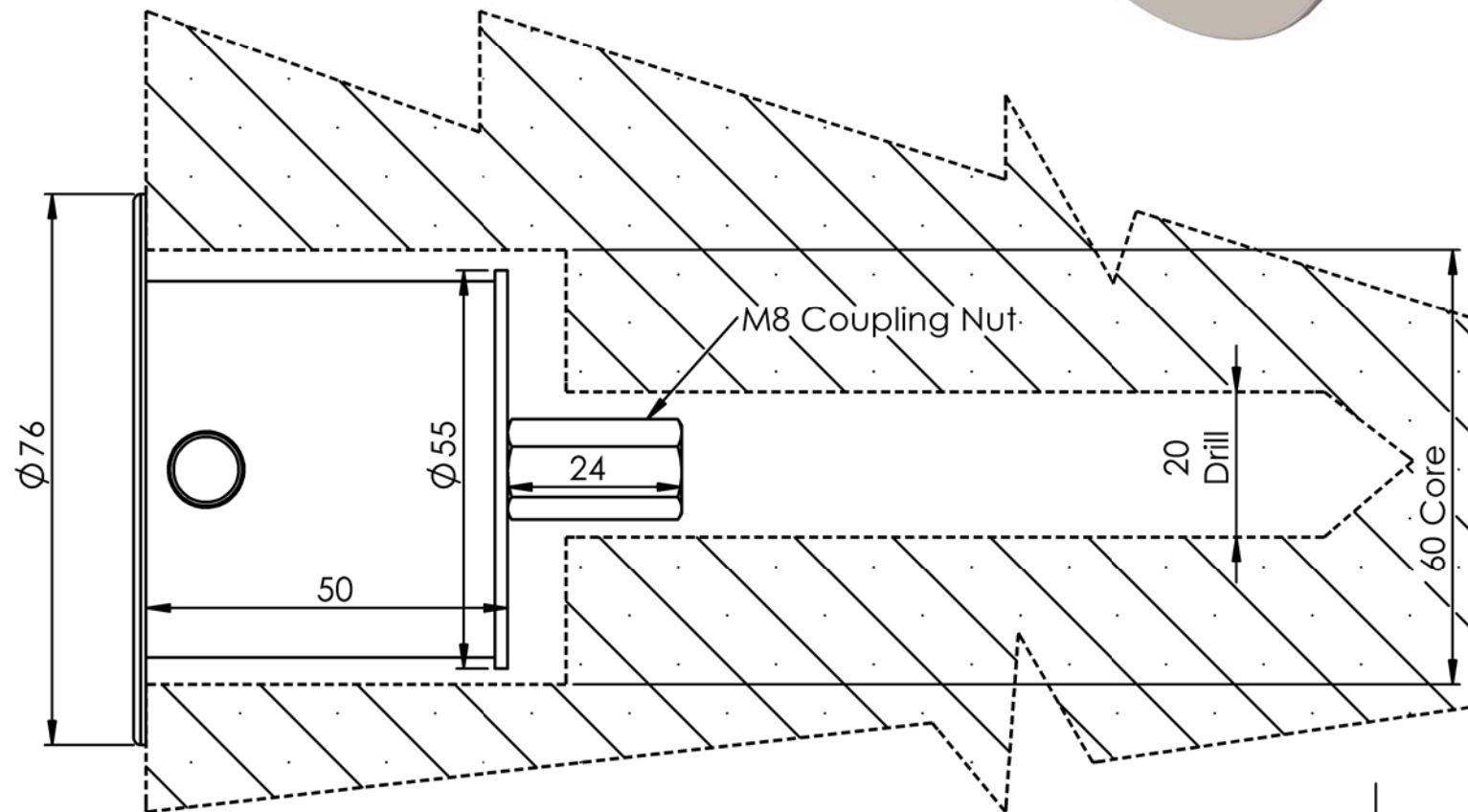
316L Passivated



Multiple ways to anchor and earth in epoxy.

1. All thread rod
2. Hex head bolts

*not included.



Example only.
* Each contractor will have their own method to successfully install the 004 anchor. The design is about providing options for your preferred method.

CLIENT:		PROJECT:		<p>Serious Equipment - Serious Fun - Access for All SRSAustralia PTY LTD 12 Enterprise Street, Richlands QLD 4077 PO Box 4416, Forest Lake QLD 4078 P +61 7 3812 2283 F +61 7 3812 1187</p>	
UNLESS OTHERWISE SPECIFIED: DIMENSIONS ARE IN MILLIMETERS		FINISH:			
SURFACE FINISH:					
TOLERANCES:				TITLE: Stainless Steel SRSmith Lane Line Anchor	
LINEAR:				316L Passivated	
ANGULAR:				DWG. NO. 17-61-004	
NAME	SIGNATURE	DATE	DO NOT SCALE DRAWING		
DRAWN: OEH		29/07/18			
CHK'D:					
APP'VD:					
THE INFORMATION CONTAINED IN THIS DRAWING IS THE SOLE PROPERTY OF SRSMITH AUSTRALIA Pty Ltd. ANY REPRODUCTION IN PART OR IN WHOLE WITHOUT THE WRITTEN PERMISSION OF SRSMITH AUSTRALIA Pty Ltd IS PROHIBITED.			MATERIAL: 316 SS		REVISION: A3
			WEIGHT:		SCALE: 1:1
					SHEET 1 OF 1