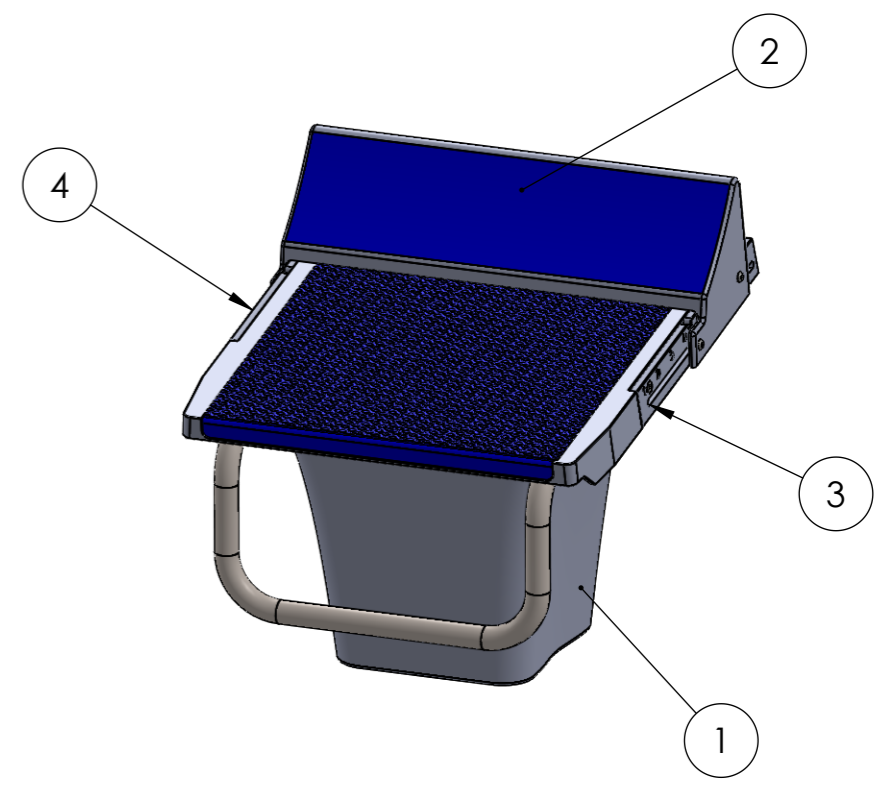
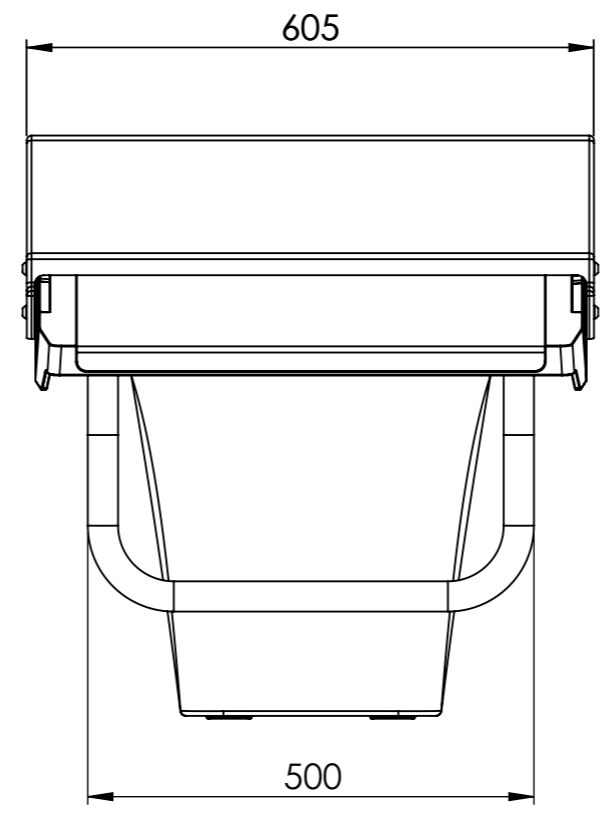
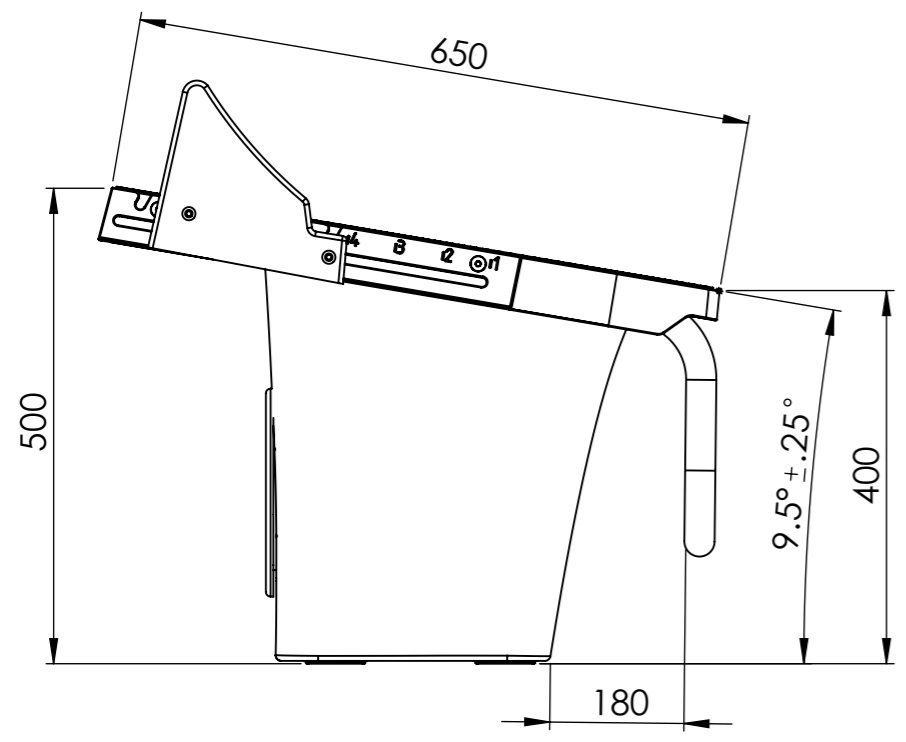


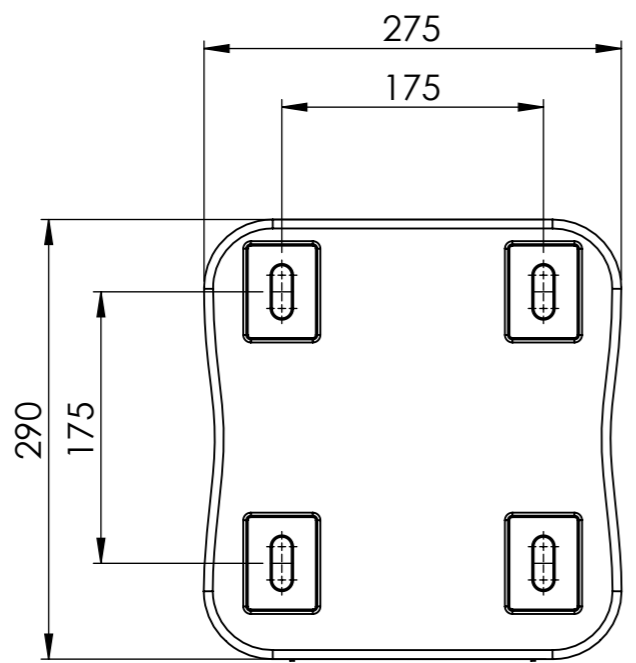
TRIMETRIC VIEW

CLIENT: S.R.Smith AU		PROJECT: AU Internal project	
UNLESS OTHERWISE SPECIFIED: DIMENSIONS ARE IN MILLIMETERS SURFACE FINISH: TOLERANCES: LINEAR: ±10 mm ANGULAR: 1 deg		FINISH:	
DRAWN	NM	SIGNATURE	DATE
CHK'D			05/09/2019
APPV'D			
THE INFORMATION CONTAINED IN THIS DRAWING IS THE SOLE PROPERTY OF SRSMITH AUSTRALIA Pty Ltd. ANY REPRODUCTION IN PART OR IN WHOLE WITHOUT THE WRITTEN PERMISSION OF SRSMITH AUSTRALIA Pty Ltd IS PROHIBITED.		MATERIAL: FRP/316 SS	

 Serious Equipment - Serious Fun - Access for All SRSAustralia PTY LTD 12 Enterprise Street, Richlands QLD 4077 PO Box 4416, Forest Lake QLD 4078 P +61 7 3812 2283 F +61 7 3812 1187	
TITLE: 650 LAUNCH STARTING BLOCK 650 LAUNCH	
DWG NO. 25-61-650L SB-001	A3
SCALE: 1:7	REVISION A
SHEET 1 OF 3	



ISOMETRIC VIEW
SCALE 1 : 10



BASE DETAIL
SCALE 1: 5

ITEM NO.	PART NO.	DESCRIPTION	QTY.
1	25-61-065T-1	650 STARTING BLOCK	1
2		ADJUSTABLE TRACK START	1
3	TRACKRAIL-L	TRACK START ADJUSTMENT, LFT	1
4	TRACKRAIL-R	TRACK START ADJUSTMENT, RHT	1

CLIENT: S.R.Smith AU PROJECT: AU Internal project
 UNLESS OTHERWISE SPECIFIED:
 DIMENSIONS ARE IN MILLIMETERS
 SURFACE FINISH:
 TOLERANCES:
 LINEAR: ±10 mm
 ANGULAR: 1 deg



12 Enterprise Street, Richlands QLD 4077
 PO Box 4416, Forest Lake QLD 4078
 P +61 7 3812 2283 | F +61 7 3812 1187

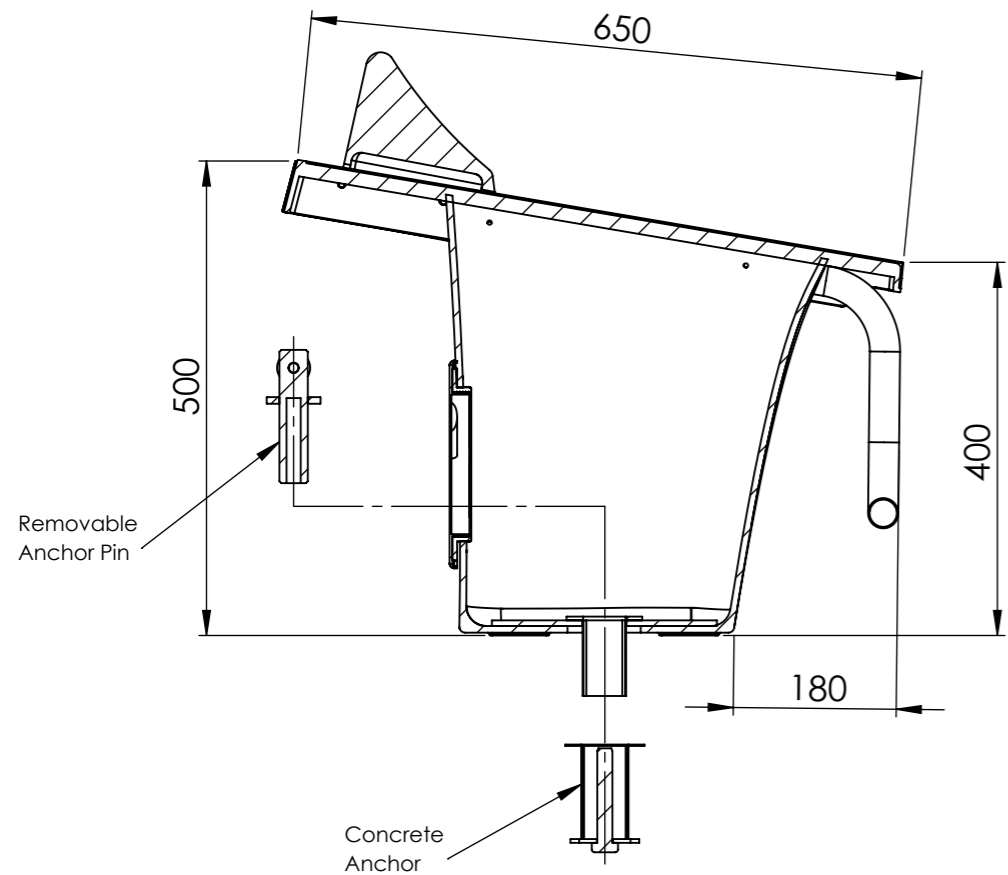
NAME	SIGNATURE	DATE
DRAWN NM		05/09/2019
CHK'D		
APP'V'D		

TITLE: 650 LAUNCH STARTING BLOCK
25-61-065T

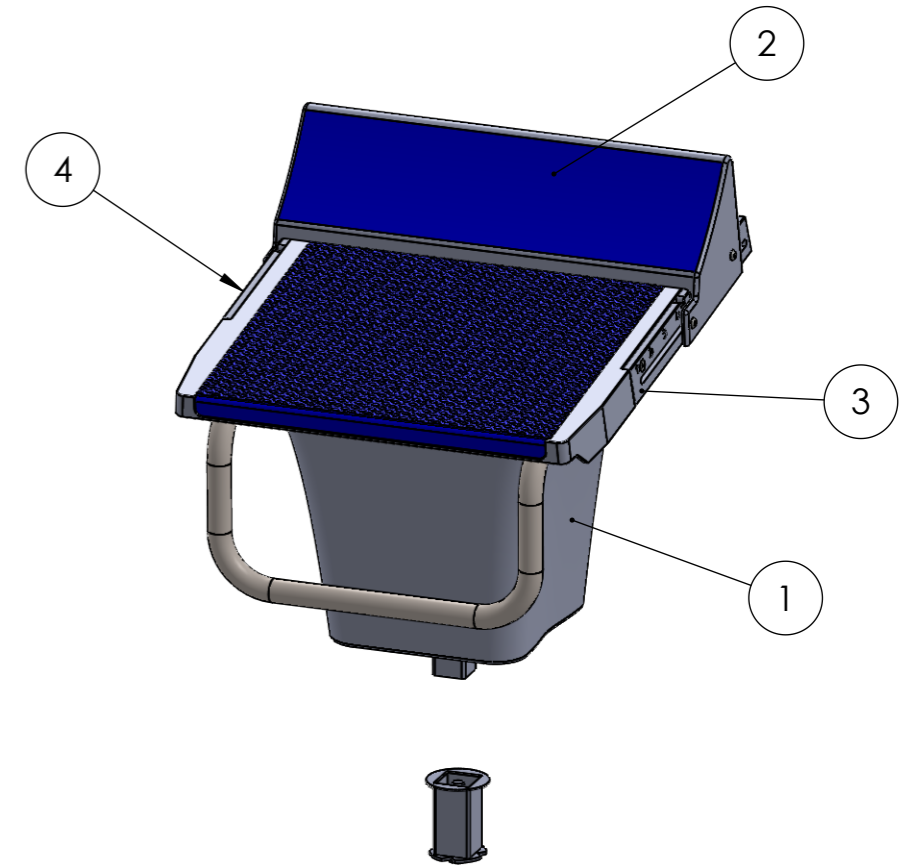
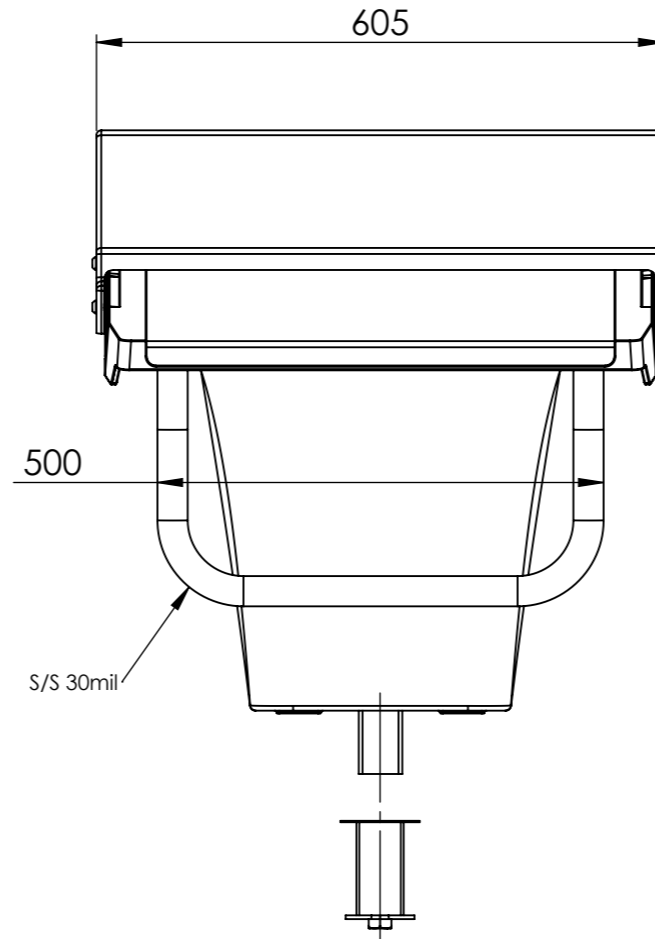
THE INFORMATION CONTAINED IN THIS DRAWING IS THE SOLE PROPERTY OF SRSMITH AUSTRALIA Pty Ltd. ANY REPRODUCTION IN PART OR IN WHOLE WITHOUT THE WRITTEN PERMISSION OF SRSMITH AUSTRALIA Pty Ltd IS PROHIBITED.

MATERIAL:
FRP/316 SS

DWG NO. 25-61-650L SB-001

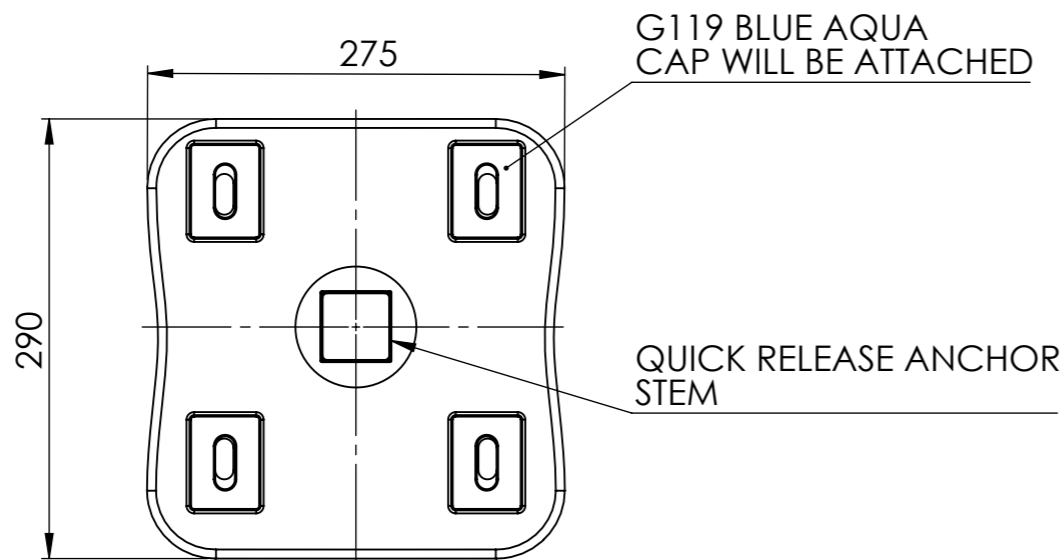


PROFILE SECTION ILLUSTRATES
REMOVABLE ANCHOR



ISOMETRIC VIEW
SCALE 1 : 10

QUICK RELEASE ANCHOR



BASE DETAIL
SCALE 1 : 5

ITEM NO.	PART NO.	DESCRIPTION	QTY.
1	25-61-065R-1	650 STARTING BLOCK W/ANCHOR HOLE	1
2		ADJUSTABLE TRACK START	1
3	30-61-1005L	TRACK START ADJUSTMENT, LFT	1
4	30-61-1005R	TRACK START ADJUSTMENT, RHT	1
5	25-61-190QR	QUICK RELEASE ANCHOR	1

CLIENT:	S.R.Smith AU	PROJECT:	AU Internal project
UNLESS OTHERWISE SPECIFIED: DIMENSIONS ARE IN MILLIMETERS		FINISH:	
SURFACE FINISH:			
TOLERANCES: LINEAR: ±10 mm			
ANGULAR: 1 deg			



Serious Equipment - Serious Fun - Access for All
SRSAustralia PTY LTD
 12 Enterprise Street, Richlands QLD 4077
 PO Box 4416, Forest Lake QLD 4078
 P +61 7 3812 2283 | F +61 7 3812 1187

NAME	SIGNATURE	DATE	
DRAWN NM		05/09/2019	
CHK'D			
APPV'D			

TITLE: **650 LAUNCH STARTING BLOCK
25-61-065R**

THE INFORMATION CONTAINED IN THIS DRAWING IS THE
SOLE PROPERTY OF SRSMITH AUSTRALIA Pty Ltd.
ANY REPRODUCTION IN PART OR IN WHOLE
WITHOUT THE WRITTEN PERMISSION OF
SRSMITH AUSTRALIA Pty Ltd IS PROHIBITED.

MATERIAL:
FRP/316 SS

DWG NO.
25-61-650L SB-001

A3
REVISION
A