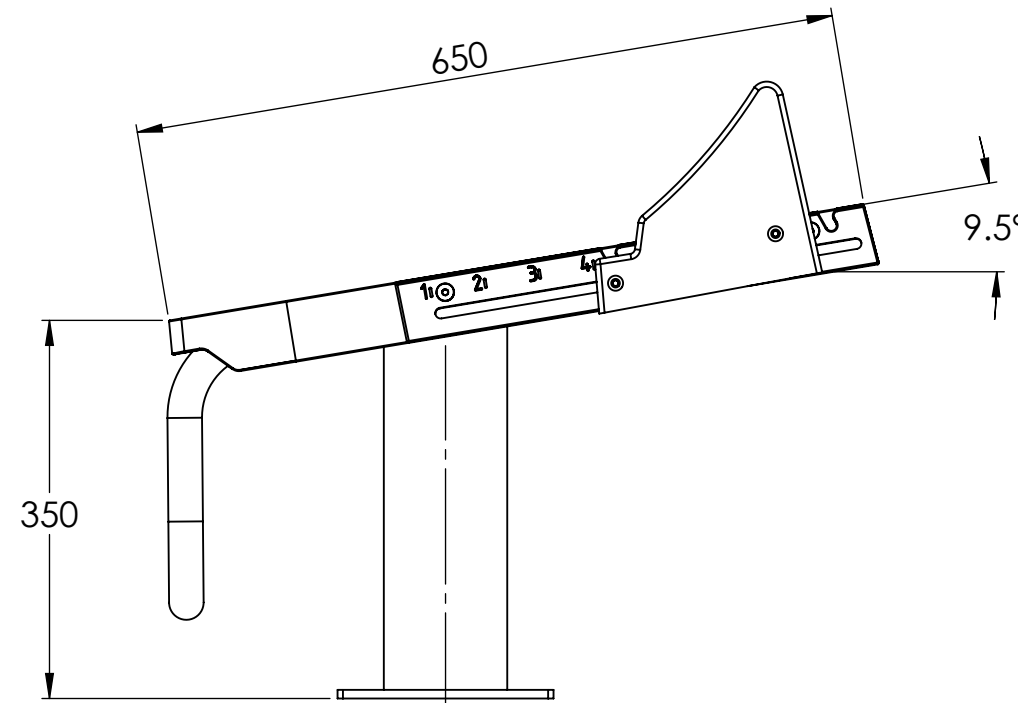


ISOMETRIC VIEW



CLIENT: S.R.Smith AU PROJECT: AU Internal project

UNLESS OTHERWISE SPECIFIED:
 DIMENSIONS ARE IN MILLIMETERS
 SURFACE FINISH:
 TOLERANCES:
 LINEAR: ±10 mm
 ANGULAR: 1 deg

FINISH:



Serious Equipment - Serious Fun - Access for All
SRSAustralia PTY LTD
 12 Enterprise Street, Richlands QLD 4077
 PO Box 4416, Forest Lake QLD 4078
 P +61 7 3812 2283 | F +61 7 3812 1187

	NAME	SIGNATURE	DATE
DRAWN	NM		24/10/2019
CHK'D			
APPV'D			

TITLE: **SHORT REACH 250 SERIES
650L-SR250F**

THE INFORMATION CONTAINED IN THIS DRAWING IS THE
 SOLE PROPERTY OF SRSMITH AUSTRALIA Pty Ltd.
 ANY REPRODUCTION IN PART OR IN WHOLE
 WITHOUT THE WRITTEN PERMISSION OF
 SRSMITH AUSTRALIA Pty Ltd IS PROHIBITED.

MATERIAL:
FRP/316 SS

DWG NO.
SR250 -001

A3

REVISION
 A

SCALE: 1:7 SHEET 1 OF 1