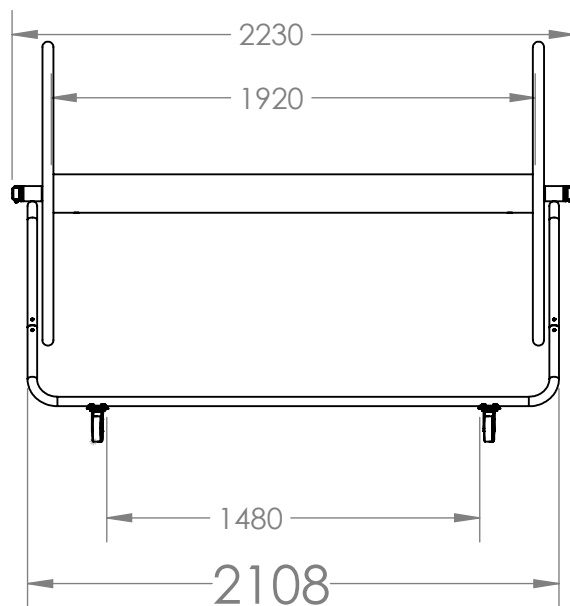
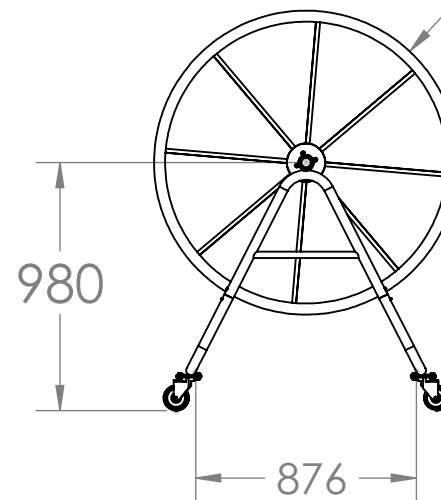


Ø 1206



PART #:
13-61-5003

DESCRIPTION:
ALUMINUM STOREEL 980

UNLESS OTHERWISE SPECIFIED:
DIMENSIONS ARE IN MILLIMETERS
SURFACE FINISH:
TOLERANCES: +- 3MIL
LINEAR:
ANGULAR: +- 1

Proprietary and Confidential:
The information contained in this specification is the sole property of SRS AUSTRALIA PTY LTD. Any reproduction in part or whole without the written consent of SRS AUSTRALIA PTY LTD is prohibited.

DO NOT SCALE DRAWING REVISION **A**

	NAME	SIGNATURE	DATE	WEIGHT:
DRAWN	OEH		10/2/2014	MATERIAL:
CHK'D				DWG NO.
APPV'D				13-61-5003
MFG				
©SRS AUSTRALIA PTY LTD				SCALE:1:30

**SRS AUSTRALIA PTY LTD dba
Anti Wave Australia
22 Turley St, Ipswich 4305
Ph +61 07 3812 2283
Fx +61 07 3812 1187**

SHEET 1 OF 20 **A4**