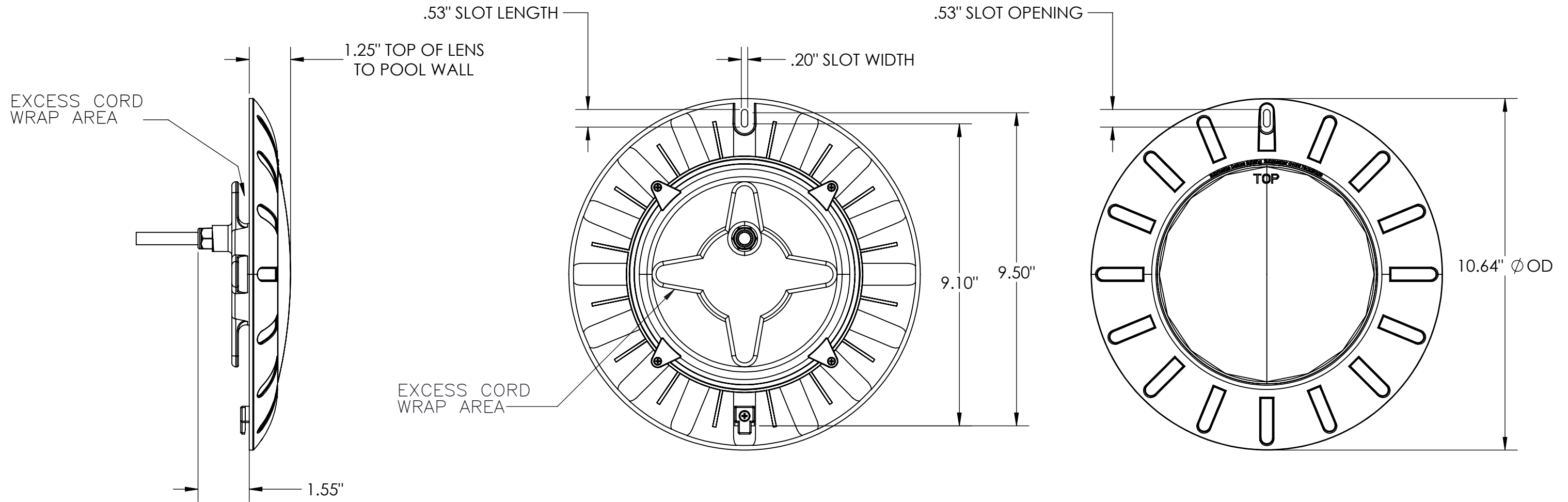


REVISIONS					
REV	NPR NO.	ZONE	DESCRIPTION	DATE	APPROVED
A0	901		RELEASE TO PRODUCTION.	03/11/22	WJS



	THIRD ANGLE PROJECTION		UNLESS OTHERWISE SPECIFIED DIMENSIONS ARE IN INCHES. TOLERANCES ARE: FRACTIONS: — .XX ± .01 DECIMALS: .XXX ± .001 ANGLES: ± 1°	APPROVALS	DATES				
				MATERIAL:					
THIS DOCUMENT CONTAINS PROPRIETARY INFORMATION WHICH SHALL NOT BE REPRODUCED, TRANSFERRED TO OTHER DOCUMENTS, DISCLOSED TO OTHERS, USED FOR MANUFACTURING OR ANY OTHER PURPOSE WITHOUT PRIOR AUTHORIZATION OF S.R. SMITH				PC		SIZE	UL FILE NO.:	DWG NO.:	REV.
			NEXT ASSY	USED ON	FINISH:	B	—	99-15531-00	A0
APPLICATION			DO NOT SCALE DRAWING			SCALE= NTS	MODIFIED BY:	03/11/22	SHEET 1 OF 1