



**Product Part Number(s):**  
EOS  
**Product Description:**  
AUTOMATIC POOL COVER  
WINDER

## WRITTEN SPECIFICATIONS

### 1) Structure

- Base plate, ¼" thick, SS304, welded to the bottom of the triangular support frame shall provide strong foundation for wheel-caster assemblies and connector tubing.
- Support frame connectors and center cross brace shall consist of 1" X 2", SS304, ASTM-554, 11-gauge tubing.
- The EOS housing consists of Type 304 Stainless Steel (SS304), ASTM-554. With automatic motorized re-winder.
- Structure is thermoset powder coated Silver Gray.

### 2) EOS Housing

- Automatic motorized re-winder has forward and reverse motor controls and E-Stop bottom.

### 3) Battery and Charger

- Battery is a 12V marine deep cycle liquid filled. The EOS is capable of housing two batteries for longer run times.
- The Automatic motorized re-winder is equipped with a 12V battery charger.
- SR Smith recommends that the EOS is put on the Battery charger every night to prevent battery drain.  
**Not doing this could result in a dead battery.**

### 4) Remote


- The remote control allows use of the automatic motorized re-winder up to 300 yards

### 5) Power Coupler and Reel:

- Power coupler transfers the power of the EOS to the cover reel.
- Power coupler can be disengaged in the event of power loss to allow manual operation of the cover reel.
- Two power coupler types are available standard and Universal.

### 6) Telescoping Tube

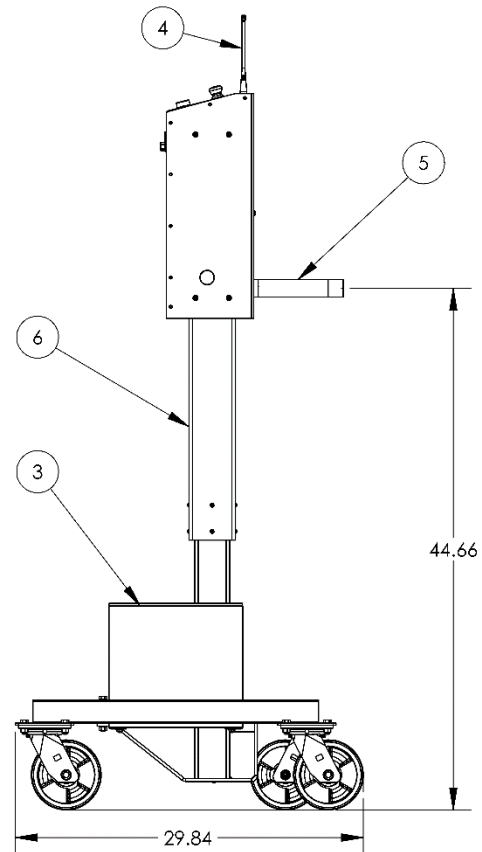
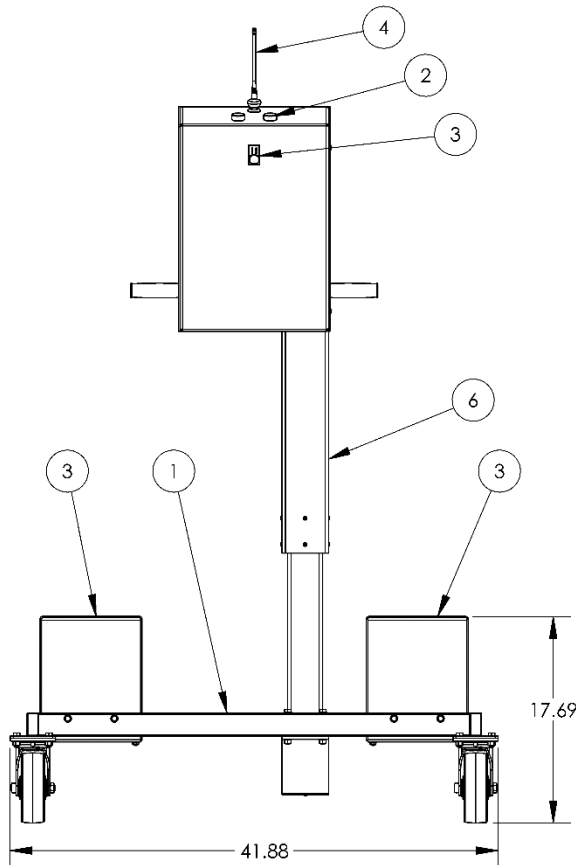
- Telescoping tube can adjust the height of the power coupler to engage the cover reels.
- Travel distances is from the deck to center of the power couple. Min 25.25" to Max 51.25"


Specification Number:	<b>SRS-1106</b>		 S.R. Smith, LLC P.O. Box 400, 1017 SW Berg Parkway Canby, Oregon 97013 Tel: (888) 677-7776 (503) 266-2231 Fax: (503) 266-4334 www.srsmith.com
Product Description:	AUTOMATIC POOL COVER WINDER		
S.R. Smith Part Number:	EOS		
Revision:	A0	Date: 7/15/2021	
Written By:	Zac Boyer	Date: 6/23/2021	
Approved By:		Date:	
Page 2 of 2	<b>Proprietary and confidential: The information contained in this specification is the sole property of S.R. Smith LLC. Any reproduction in part or whole without the written consent of S.R. Smith LLC is prohibited.</b>		



**Product Part Number(s):**  
EOS  
**Product Description:**  
AUTOMATIC POOL COVER  
WINDER

### DRAWN SPECIFICATIONS



Specification Number:	<b>SRS-1106</b>		 S.R. Smith, LLC P.O. Box 400, 1017 SW Berg Parkway Canby, Oregon 97013 Tel: (888) 677-7776 (503) 266-2231 Fax: (503) 266-4334 www.srsmith.com
Product Description:	AUTOMATIC POOL COVER WINDER		
S.R. Smith Part Number:	EOS		
Revision:	A0	Date: 7/15/2021	
Written By:	Zac Boyer	Date: 6/23/2021	
Approved By:		Date:	
Page 1 of 2	<b>Proprietary and confidential: The information contained in this specification is the sole property of S.R. Smith LLC. Any reproduction in part or whole without the written consent of S.R. Smith LLC is prohibited.</b>		