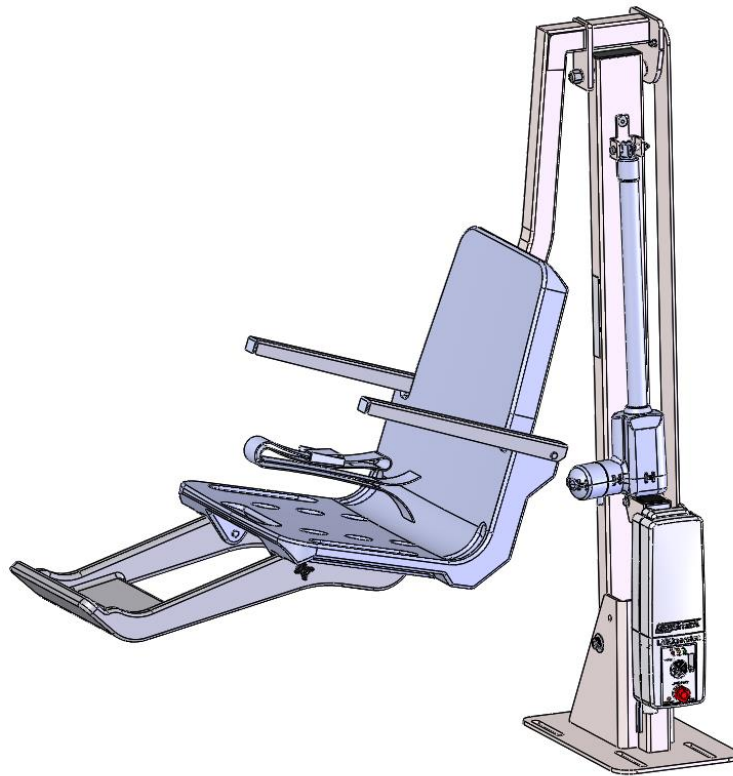




# multiLift™2 POOL LIFT

## OWNER'S MANUAL & MAINTENANCE PROCEDURES



**S.R. SMITH, LLC**  
CORPORATE HEADQUARTERS  
P.O. Box 400 • 1017 S.W. Berg Parkway  
Canby, Oregon 97013 USA  
Phone (503) 266 2231 • Fax (503) 266 4334  
[www.srsmith.com](http://www.srsmith.com)

**TABLE OF CONTENTS**

DECK PROFILE SHEET CONFIRMATION .....3  
INTRODUCTION .....4  
Using the multiLift™2 .....4  
WARNINGS AND SAFETY SUMMARY.....5  
PRODUCT OVERVIEW .....6  
COMPONENT DESCRIPTION.....7  
UNPACKING & ASSEMBLY INSTRUCTIONS.....11  
POOL DECK INSTALLATION FOR THE multiLift2.....24  
    INSTALLING ANCHORS INTO EXISTING CONCRETE DECK.....25  
    INSTALLING ANCHOR JIG INTO NEW CONCRETE DECK.....28  
USING THE multiLift2 .....29  
    TRANSFERRING THE USER TO THE WATER.....30  
STANDARD ACCESSORIES/OPTIONAL ACCESSORIES .....31  
MAINTENANCE and CLEANING .....31  
TROUBLE SHOOTING .....32  
LONG-TERM STORAGE .....32  
WARRANTY INFORMATION .....33  
SPECIFICATIONS .....34  
    1. Dimensions/Capacity.....34  
    2. Actuator.....34  
    3. Battery.....34  
    4. Range of MotionInformation.....34  
    5. Noise.....34  
    6. Materials and Finish Information.....34  
APPENDIX A: multiLift2 SEAT w/FOOTREST (160-9200).....35  
APPENDIX B: NEW CONSTRUCTION JIG (500-5000A).....36  
APPENDIX C: MULTILIFT2 POOL LIFT (580-0000).....37

**PRODUCT REGISTRATION**


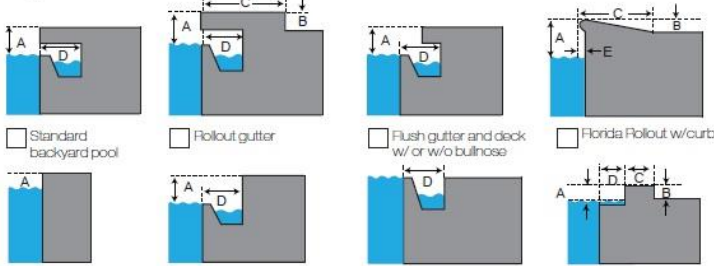
Stay informed about the latest product updates and safety information. Visit [srsmith.com/en-us/customer-service/product-registration/](https://www.srsmith.com/en-us/customer-service/product-registration/) to register your lift **TODAY!**

## DECK PROFILE SHEET CONFIRMATION

Aquatic access lifts are application specific. A completed Deck Profile Sheet helps to ensure the lift purchased for the application will work in accordance with ADA guidelines. S.R.Smith reviews all submitted Deck Profile Sheets as a service to our customers, free of charge. Before installing the pool lift, the installer must review and confirm the information provided on the Deck Profile Sheet. If the description of the application does not match the installation site, a new Deck Profile Sheet must be completed and submitted to S.R.Smith.

**NOTE: FAILURE TO COMPLETE AN ACCURATE DECK PROFILE SHEET MAY RESULT IN THE LIFT NOT MEETING ADA COMPLIANCE GUIDELINES.**

To complete the Deck Profile Sheet online, visit [www.srsmith.com/liftprofile](http://www.srsmith.com/liftprofile), contact Customer Service at (800) 824-4387 or email.

 deck profile sheet <b>POOL LIFT*</b>	
*Deck profile sheet must accompany your pool lift order	
<b>1. Preferred Lift:</b> <input type="checkbox"/> PAL <input type="checkbox"/> PAL2 <input type="checkbox"/> Splash! <input type="checkbox"/> Splash! 300 <input type="checkbox"/> aXs <input type="checkbox"/> multiLift <input type="checkbox"/> ML300	
<b>2. Gutter Configuration:</b>	
<input type="checkbox"/> Fully recessed gutter <input type="checkbox"/> Fully recessed gutter w/parapet <input type="checkbox"/> Partially recessed gutter <input type="checkbox"/> Bull Nose Coping	
	
<input type="checkbox"/> Standard backyard pool <input type="checkbox"/> Rollout gutter <input type="checkbox"/> Flush gutter and deck w/ or w/o bullnose <input type="checkbox"/> Florida Rollout w/curb	
If none of the images above match your gutter configuration, please draw the shape on a separate piece of paper and attach.	
<b>3. Facility Type (check one):</b> <input type="checkbox"/> Health Club <input type="checkbox"/> Hospitality <input type="checkbox"/> Public Pool <input type="checkbox"/> Residential <input type="checkbox"/> Commercial	
<b>4. Deck (check one):</b> <input type="checkbox"/> New Construction <input type="checkbox"/> Pre-existing	
<b>5. Deck Material (check one):</b> <input type="checkbox"/> Concrete <input type="checkbox"/> Pavers	
<b>6. Distance from pool deck to water line (A):</b> _____	
<b>7. Height of curb (B):</b> _____	
<b>8. Width of curb (C):</b> _____	
<b>9. Width of gutter (D):</b> _____	
<b>10. Bull Nose Radius (E):</b> _____	
<b>11. Decorative stone setback:</b> _____	
<b>12. Is your pool located on the ground level?</b> <input type="checkbox"/> Yes <input type="checkbox"/> No	
<b>POOL</b>	
<input type="checkbox"/> Check this box to confirm that you have verified the location of the lift will meet the ADA Clear Deck Space Requirement (1009.2.3): <small>"On the side of the seat opposite the water, a clear deck space shall be provided parallel with the seat. The space shall be 36" wide minimum and shall extend forward 48" minimum from a line located 12" behind the rear edge of the seat."</small>	
<b>Note:</b> Pool lifts are application specific. Please provide accurate measurements for your pool in the space provided. S.R.Smith will confirm that the lift selected will meet the location and installation requirements based on the ADA Design Standards (2010) or suggest an alternative lift that will meet the requirements. S.R.Smith bears no responsibility due to misapplication of a lift without a completed Deck Profile Sheet on record.	
<b>Fax this completed form to 503.266.4334, email to <a href="mailto:lifts@srsmith.com">lifts@srsmith.com</a>, or complete the form online at <a href="http://www.srsmith.com/liftprofile">www.srsmith.com/liftprofile</a>. Call toll free 800.824.4387</b>	
Name of Distributor Lift Will Be Purchased From: _____ City: _____ State: _____	
Your Name: _____ Email: _____ Phone: _____	
Property or Project Name: _____ PO Number: _____	
<b>S.R.Smith Use Only</b>	
APPROVAL# _____	
<input type="radio"/> PAL <input type="radio"/> PAL HI/LO <input type="radio"/> PAL SPA <input type="radio"/> PAL2	
<input type="radio"/> SPLASH <input type="radio"/> SPLASH HI/LO <input type="radio"/> SPLASH ER <input type="radio"/> SPLASH ER HI/LO <input type="radio"/> SPLASH SPA	
<input type="radio"/> SPLASH 300 <input type="radio"/> SPLASH W/ROUND POST <input type="radio"/> AXS <input type="radio"/> MULTILIFT <input type="radio"/> ML300	

SF-720-003

8/2016

# **READ THESE INSTRUCTIONS IN THEIR ENTIRETY BEFORE BEGINNING INSTALLATION.**

## **INTRODUCTION**

The purpose of this document is to provide information relating to the installation, safe operation, care and maintenance of the **multiLift2**.

### **Intended Lift User**

S.R.Smith's lifts have been designed to assist individuals requiring assistance entering or exiting a swimming pool or spa. The user must not exceed the weight limit of the product (350 lb. / 158.75 kg). It is the responsibility of the lift owner to ensure that safety procedures are put in place and a risk assessment is completed. Mental or physical disabilities may require assisted transfer, and the owner is responsible for determining the number of qualified attendants to complete the poolside transfer and the number of persons required to be in the water, ready to receive and assist the user. The seatbelt must be attached to the seat, fully fastened and used during each transfer.

Our goal is to provide our customers with the most advanced and innovative designs offering exceptional quality at affordable prices. All S.R.Smith lifts meet the specifications set forth by the Access Board - ADAAG 2004. The lift system and AC powered battery charger complies with EN60601-1-2, 2007/03.

### **Using the multiLift2**

Obey all User Instructions listed in the Owner's Manual whenever using lift. Obey all Caution, Warning, Operating Instruction(s) and Labels located on the lift whenever using. It is the responsibility of the lift Owner to ensure that the correct safety procedures have been put in place and a risk assessment carried out. If a User is mentally challenged or has physical disabilities these issues must be considered to determine the number of persons required to complete the transfer onto the seat and the number of persons required to be in the water, ready to receive the User. If the multiLift2 will be used by a disabled person living on their own, a communication device should be installed in the area of use to call for assistance in the event of an emergency. Only persons healthy enough for water activities should use the multiLift2. Users should consult with their physician to determine if water activities are appropriate for the User. Keep fingers and hands clear of lift arms during use.

<p><b>Model / Product No.</b> _____ <b>Product Name</b></p> <hr/> <p> <b>S.R. Smith, LLC</b> PO Box 400 1017 SW Berg Parkway Canby, Oregon 97013 USA Phone: 503-266-2231 Fax: 503-266-4334 www.srsmith.com Made in USA</p> <p><b>SN S</b></p> <p> </p> <p><b>24 VDC</b></p>
--



## WARNINGS AND SAFETY SUMMARY

**DANGER – FAILURE TO FOLLOW THESE WARNINGS, INSTRUCTIONS AND THE OWNER’S MANUAL MAY RESULT IN SERIOUS INJURY OR DEATH**

### **WARNING**

- **ADULT USE ONLY** – Use by children with adult supervision only. Only persons healthy enough for water activities should use the multiLift. Users should consult with their physician to determine if water activities are appropriate for the User.
- Seat belt is to be used at all times during user transfer.
- **NO JUMPING/DIVING/CLIMBING** – Do not jump/dive from or climb on lift.
- Limit for use is **ONE PERSON** weighing less than the maximum weight limit of – 350lbs (159kg) for the multiLift. Use only for transfer of user not as a hoist or crane.
- **PINCH/CRUSH HAZARD** – Always keep hands and fingers clear of lift arms during use.
- The battery must be completely removed from lift and located away from pool deck for charging.

### **CAUTION**

- **BATTERY CHARGE LEVEL** – Check Battery Level before each use. Battery must show **GREEN** >50% charge level before use. When **YELLOW** <50% charge level is shown the battery must be fully charged before use. When **RED** <25% charge level is shown the lift must not be used and the battery must be fully charged before use.
- **DAMAGE MAY RESULT** - Do not allow excessive moisture to collect in the battery case, it can affect battery and lift performance and could lead to battery failure and/or the lift failing to operate.

### **WARNING**

**LIMIT FOR USE IS ONE PERSON WEIGHING LESS THAN THE MAXIMUM WEIGHT LIMIT OF 350 lbs (158 kg)**



### **WARNING**

**Pinch Points.**  
Moving part can crush or cut.  
**KEEP CLEAR.**

### **ADA GUIDELINE SUMMARY\*** (USA Only)

#### *1009.2.1 Pool Lift Location*

Pool lift shall be located where the water level does not exceed 48". If entire pool water level exceeds 48", place pool lift where convenient.

#### *1009.2.2 Seat Location*

In the raised position, the centerline of the seat shall be located over the deck a minimum of 16" from the edge of the pool.

#### *1009.2.3 Clear Deck Space*

On the side of the seat opposite the water; a clear deck space shall be provided parallel with the seat. The space shall be 36" wide minimum and shall extend forward 48" minimum from a line located 12" behind the rear edge of the seat.

#### *1009.2.4 Seat Height*

The lift shall stop at 16" – 19" measured from the deck to the top of the seat surface when in the loading position.

#### *1009.2.8 Submerged Depth*

The lift shall submerge the seat a minimum of 18" below the stationary water level.

\*Compliance with ADA is the responsibility of the pool owner. Visit [www.ada.gov](http://www.ada.gov) for complete guidelines.

## multiLift2 AQUATIC LIFT SYSTEM

### PRODUCT OVERVIEW

The multiLift2 Aquatic Lift is a fixed lift system designed so that individuals with disabilities and mobility impairments can have access to residential, hospitality and multi-unit facility swimming pools or spas. The multiLift2 is powered by a 24-volt rechargeable battery operated by a screw driven electronic actuator that provides the lifting and lowering motions. Following all instructions in the Owner's Manual and all product labels is necessary to achieve safe, reliable, and proper performance of the lift and avoid injury. This ensures consistent safe operation and minimizes service problems.

The multiLift2 has a mast height of 58.5 in / 148.6 cm above the deck. It is intended to be used with simple pool gutter configurations having a deck to water distance of no more than 14.5", see Figure 19 on page 24 to determine if the multiLift2 is appropriate for use on a specific pool. The maximum weight capacity for multiLift2 is 350 lb. / 158.75 kg. Only persons healthy enough for water activities should use the multiLift2. Users should consult with their physician to determine if water activities are appropriate for the user.

### multiLift2 - PRODUCT COMPONENTS

ITEM NO.	PART NUMBER	DESCRIPTION	IN BOX
1	580-1100	MULTILIFT2 BASE ASSEMBLY	1
2	580-1200A	MULTILIFT2 SEAT SEAT ARM	1
3	580-1300A	MULTILIFT2 LEVELING ARM	1
4	160-9200	SEAT ASSEMBLY	2
5	160-2700A	FOOT REST W/HARDWARE	2
6	1001495	BATTERY ASSEMBLY	2
7	1001518	CONTROLLER UNIT W/ 2 BUTTON	2
8	300-6700	FLUSH DECK ANCHOR	1
9	300-6800A	DECK ANCHOR HARDWAER	1

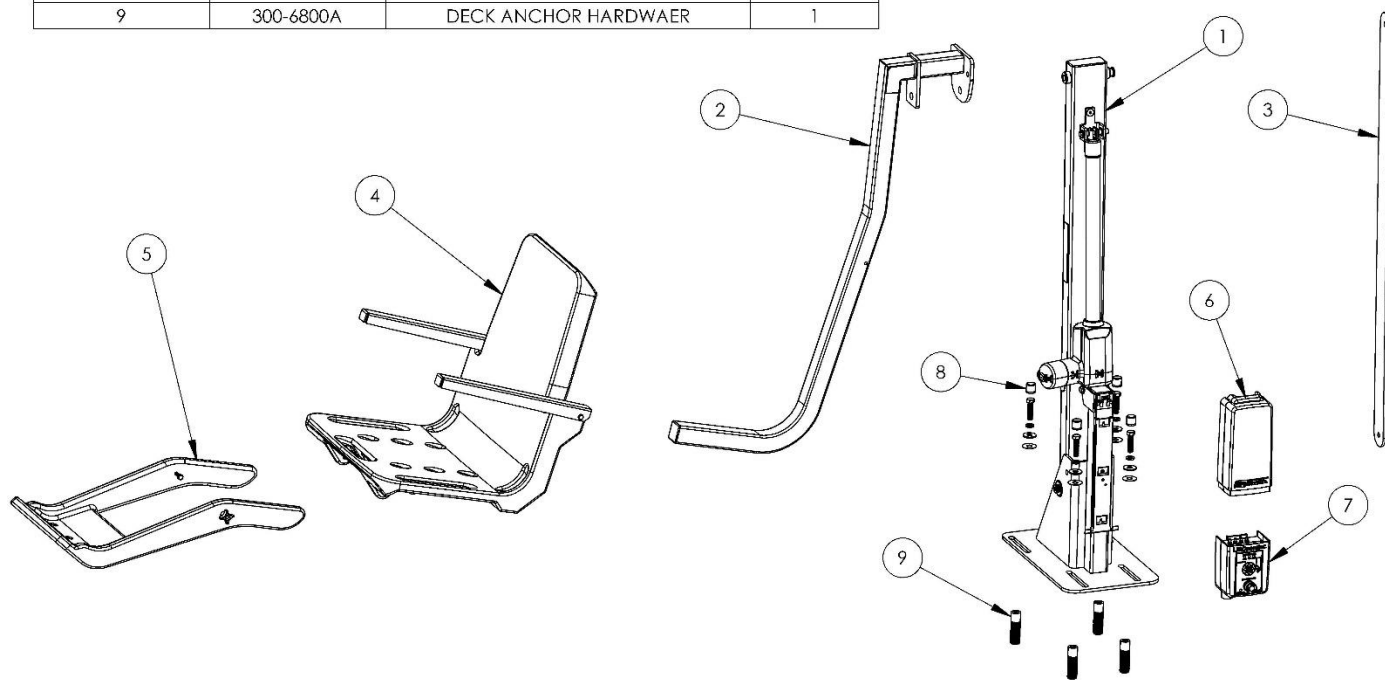


Figure 1

## COMPONENT DESCRIPTION

The lift is made up of several main components:

**multiLift2 Assembly-** Primary lift assembly includes frame components, mounting base, and actuator. All metal lift components are manufactured from stainless steel or aluminum and powder-coated for additional corrosion protection. The multiLift2 can be assembled in either a right side or left side, field reversible, seat configuration.

**Seat Assembly -** The seat is manufactured from roto-molded plastic with a stainless-steel frame. The seat comes standard with a seatbelt. The seatbelt must be used during each use. It is recommended that the seat be rinsed off with fresh water between each use and cleansed daily with a disinfectant solution of 1:100 dilution of household bleach to fresh water and then rinsed with fresh water. In the event of a contamination incident such as patient/user excreta - cleanse seat and seatbelt immediately with the above disinfectant solution. Do not use seatbelt if it is damaged or becomes worn.

The armrests are designed for support when transferring onto the seat. They can be rotated up out of the way during transfer.

The lift seat assembly is designed to be used exclusively with S.R.Smith aquatic access lifts.

**Footrest-** The footrest is constructed of roto-molded plastic and is easily removable.

**Control Box -** The LiftOperator unit controls all lift operations identical to the user handset. Two cables connect to the bottom of the Control Box to enable operation of the lift. The largest connector is for the hand control. Connector # 2 is for the actuator cable.

### Touchpad Control –

The touchpad control arrow keys can be used in the event the Hand Control is out of reach or fails. Simply press and hold the arrow for the desired action for one movement at a time – Up, Down, Releasing the Arrow stops movement.

### Battery Level LED Indicators –

The Battery Level LED Indicators show battery charge levels. The LED's will illuminate when either the touchpad control or the Hand Control is activated and will stay lit for 10 seconds. At greater than 50% the LED glows Green, at less than 50% the LED glows Amber, and less than 25% the LED glows Red and indicates the battery requires charging. If the less than 25% LED glows Red, do not operate the lift. Remove the battery and fully charge before use.

### Service Required LED –

The Service Required LED will illuminate when the battery pack has been removed/replaced 120 times - approximately once every 4 months. This indicates that required maintenance for the lift must be completed. Please see the Maintenance Section of the Lift Owner's Manual for the requirements. The Service Required LED can be reset by inserting a standard FAT-formatted USB mass storage device (not included) into the USB Port on the bottom of the controller. **When the service light is illuminated the lift must not be used until required maintenance is performed.**



CONNECTOR 2  
(ACTUATOR  
CABLE)

## Emergency Stop Button –

In the event of an emergency, or if you need to stop lift movement immediately, pressing the Emergency Stop Button (red button on the control) will stop all lift movement. At the same time an audible alert will sound for 10 sec. then pause for 5 sec. and then the sequence will repeat until the button is reset by turning it in the direction of the arrows on the button (clockwise). The Emergency Alert LED will also flash Red when the button is pressed and will remain flashing until the button is reset.

The Emergency Alert (audible and LED) can be activated by pressing any two buttons on the Hand Control at the same time (provided with the lift). This will stop all lift movement and activate the audible alert and the Red LED will flash. Once both buttons are released, the lift will return to normal operation and the emergency audible alert will silence.

## USB Port –

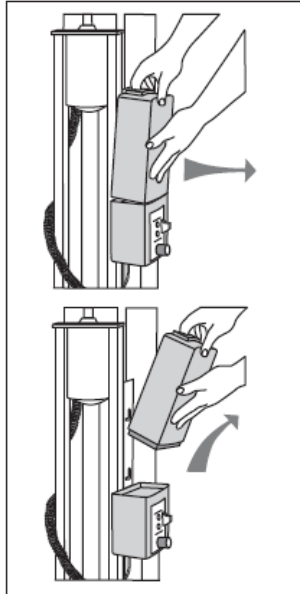
The LiftOperator control contains a USB port that is used to download the performance log of the lift. Using any standard FAT file formatted USB memory stick (widely available through retail outlets) insert the stick into the slot on the bottom of the control on the far-right hand side. Press any of the touchpad control arrows; all three of the Battery Level LED's will flash. During downloading the Green greater than 50% Battery Level LED will flash. If the unit has a problem downloading the performance log the Red less than 25% LED will flash. Remove the USB from the port and re-insert it. If the Red 25% LED flashes again, confirm that the USB you are using is FAT file formatted. The information from the USB can be downloaded to a PC for review and/or copied to a spread sheet. The performance log will retain approximately 7,600 events. Once the file is full it will remove the oldest event and replace with the newest. After the summary data, the events are shown with the oldest first. The first column is the time in seconds from that last event. The second column is the text describing the event. The third column is duration of the activity noted in seconds.

An example of a short log file:

<u>Activity</u>	<u>Description</u>
dev_id_upper,0	Programming data
dev_id_lower,1	Programming data
fw_rev,90	Firmware rev.
batt_volt_float,24929	Non-loaded battery voltage in millivolts
batt_volt_load,21487	Loaded battery voltage in millivolts
batt_capacity,99	Estimated battery capacity in %
charge_starts,8	Number of times charging was attempted
charge_completes,1	Number of times charging was finished successfully
0, power_on,1	Connecting Battery Pack
0, key enable,	Inserting Activation Key
2, alert pressed,	Emergency Button pressed
3, alert released,	Emergency Button released
8, lift_up,2	Lift movement - up
5, lift_down,2	Lift movement - down
4, turn_left,2	Lift movement - turn left
3, turn_right,1	Lift movement - turn right
308, key disable,	Removing Activation Key
3, log write,	USB File Download



**Battery Pack** - The battery pack is located on top of the Control Box and is removable.



**To remove - pull the battery pack away from the mounting plate so that the latch on the battery pack clears the side tabs on the mounting plate - then lift the battery pack up and away from the Control Box.**

**To replace - align the battery pack with the mounting plate so that the latch will drop over the center tab and that the bottom of the battery pack will fit in the recessed area on top of the Control Box. Lower the battery pack in place so that the latch is fully captured by the mounting plate and the battery pack drops fully seated onto the Control Box.**

**The battery must be completely removed from the lift and located away from the pool deck for charging.**

The battery pack should be charged daily. **Do not allow battery to fully discharge, as it will shorten battery life.**

The battery pack has an LED indicator near the plug-in-port. It will glow Red when first plugged into the transformer. If the LED remains Red, this indicates the battery pack needs charging. When fully charged the LED will glow Green. If the battery is fully charged and is plugged into the transformer the LED will glow Red for approximately 10 sec., then glow Green. If the LED flashes Red when plugged in this indicates a fault with the battery and indicates the battery pack should be replaced. All batteries are inspected prior to shipment. See warranty policy regarding battery replacement for problems after sale. Batteries have a normal lifespan of between 2-3 years, depending on use and care. A fully charged battery will provide approximately 30 to 40-lifting cycles, depending on the weight of the users. Prior to use the battery charge level should be checked by observing the LED indicator above the charger plug to ensure sufficient charge level. The charger must be connected to the battery to view the LED.

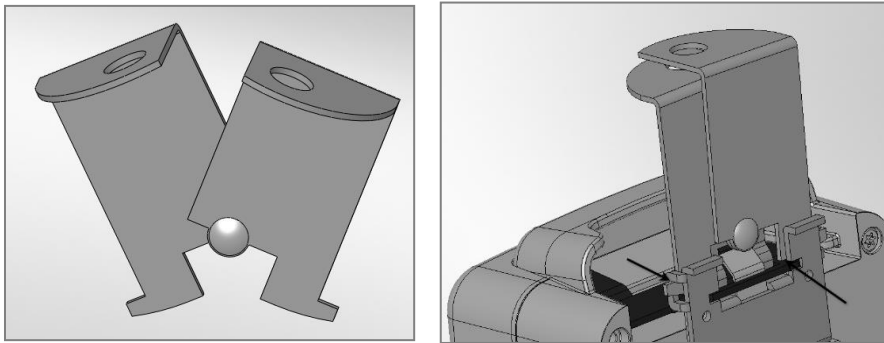


It is not necessary to fully discharge the battery prior to charging. Battery should be charged daily and cannot be overcharged. It takes up to twelve hours to fully charge depending upon battery usage

Do not drop the battery, as it could cause the unit to fail. If the battery case is cracked do not use and replace the battery. During temperature extremes beyond the range of 41°F (5°C) to 104°F (40°C) remove battery and place in a controlled environment or battery life may be shortened.

**Battery Disposal** - The batteries located inside the battery pack are recyclable and shall be disposed of in accordance with applicable local, state/provincial, or federal/national regulations.

**Locking Plate Assembly** - The battery pack can be secured to the mounting plate using the provided lock plate assembly. To install open the lock plate so that the bottom tabs are moved close to one another to allow the lock plate to be inserted into the slots on the mounting plate secured to the lift. Close the lock plate assembly so that the tabs are captured by the slots. Insert a padlock (not provided) through the holes on the lock plate assembly to secure it.



**Hand Control** – The two button unit controls lift movement. The arrows indicate direction of movement. The Hand Control is fully waterproof and meets IP67 standards.



## UNPACKING & ASSEMBLY INSTRUCTIONS

REFER TO THE DIAGRAMS (Figures 2-4) FOR PARTS IDENTIFICATION.

### READ THESE INSTRUCTIONS IN THEIR ENTIRETY BEFORE BEGINNING INSTALLATION

Prior to opening the shipping container, carefully inspect the external condition of the shipping materials for any visible damage. It is important that any damage be noted on the Bill of Lading prior to signing for the delivery. Contact either S.R.Smith or your dealer immediately to notify us of any damage or missing parts.

Ensure mounting anchors have been installed in the correct location in the pool deck for proper lift operation. It is recommended that the deck anchors be installed by a person familiar with installing pool deck equipment. The multiLift2 can be installed using existing multiLift™ and ML300 anchors.

The multiLift2 is shipped partially assembled. Position container(s) close to deck anchors for easier assembly and set up.

#### Unpacking & Assembly Procedure for the multiLift2:

1. Carefully remove all lift components from packaging.
2. Remove seat assembly and footrest and set aside for attachment.
3. Align slotted holes in the base mounting plate with deck anchors. Position the front edge of the lift base plate so that it is located 8.75" minimum and 13.75" maximum from the pool edge. See Figure 19 on page 24.
4. Locate the deck mounting hardware in the accessory carton and use the hardware to fasten the multiLift2 to the anchors as shown in **Figure 4**. Use a  $\frac{3}{4}$ " wrench to tighten the bolts down until the lock washers are fully compressed. **Note: Anti-seize compound must be used on the stainless-steel mounting bolts to prevent seizing in the deck anchors.**

#### HARDWARE KIT - 300-6800A

ITEM NO.	PART NUMBER	DESCRIPTION	QTY.
10	05-618	NUT CAP, 1/2", WHITE PLASTIC	4
11	800-0129	HHCS 1/2-13 x 2" 316 S/S	4
12	05-14-115	LOCK WASHER, 1/2", SS	4
13	05-14-132	1/2" FLAT WASHER	4
14	05-616	1/2" X 1-1/2" ROUND NYLON WASHER	4

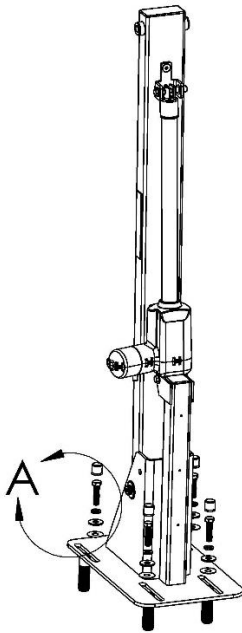
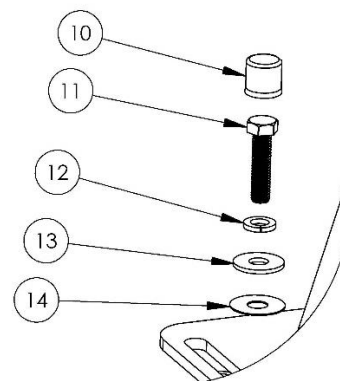
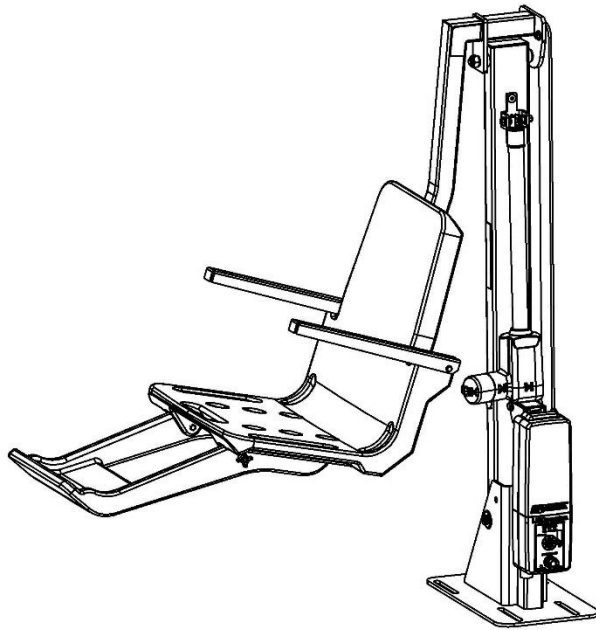


Figure 4

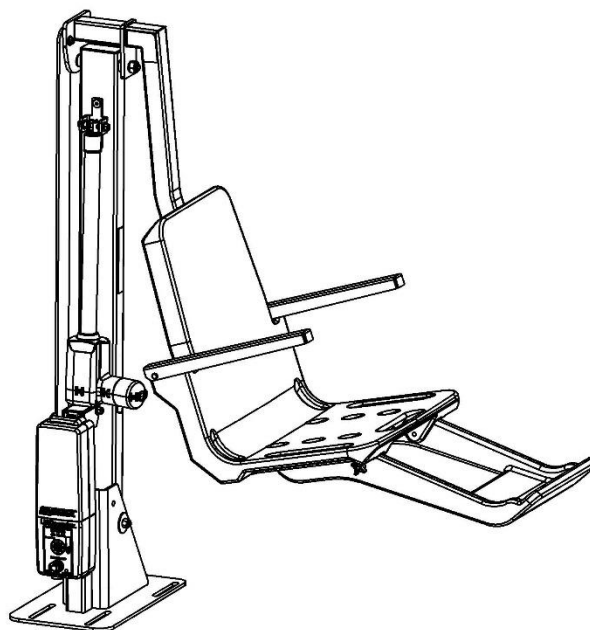


DETAIL A  
SCALE 1 : 4

5. For new anchor installations refer to the instructions starting on page 25.
6. The multiLift2 comes standard with the ability to mount the seat on either side of the lift. Follow assembly instructions starting on page 13 for mounting the seat on the RIGHT side of the lift and page 17 for mounting the seat on the LEFT side of the lift.



LEFT HAND CONFIGURATION



RIGHT HAND CONFIGURATION

## **RIGHT SIDE SEAT MOUNT CONFIGURATION**

When standing facing the lift/pool, this is the reference orientation for determining right/left.

**Caution:** During assembly, ensure the lift actuator motor is positioned away from the seat leveling arm. Failure to install the seat leveling arm on the side of the lift opposite to the lift actuator motor will cause interference and damage to the lift components. Figure 5 shows the correct position for the actuator and seat leveling arm for a right seat mounting configuration.

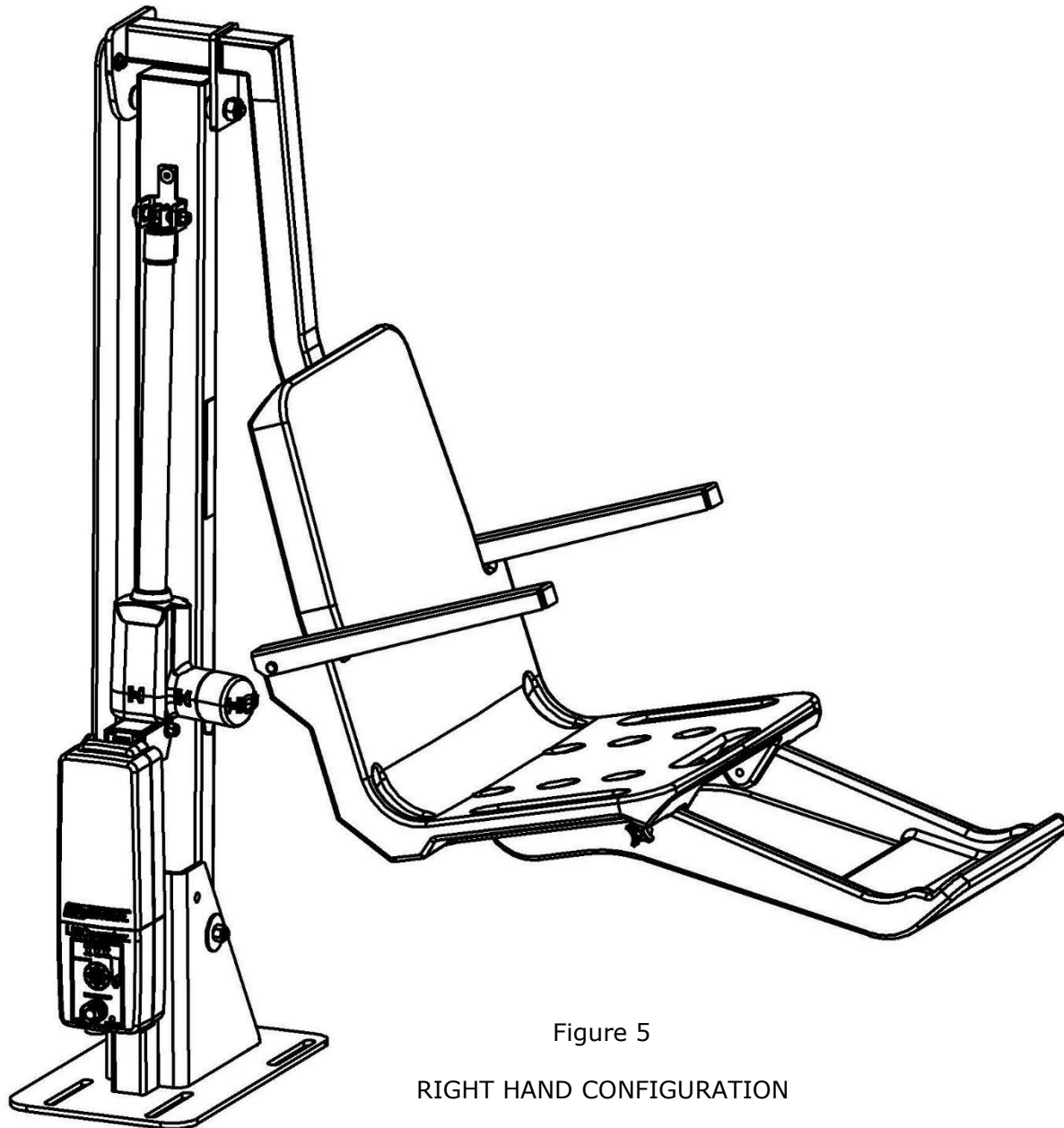


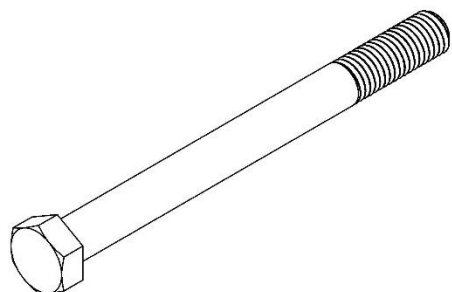
Figure 5

RIGHT HAND CONFIGURATION

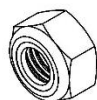
7. Install the seat arm to the multiLift2 assembly by using Hardware Kit 580-7100 as shown in Figure 6.

### HARDWARE KIT - 580-7100

ITEM NO.	PART NUMBER	DESCRIPTION	QTY.
15	05-625-7	5/8"-11 X 7" 316 SS BOLT	1
16	05-625-TLN-MG	5/8"- 11 LOCK NUT, 316 SS	1
17	05-625-05-075FB	5/8" FLANGED BUSHING	2



15



16



17

8. Tighten bolt and lock nut until snug; then back off 1/2 rotation.

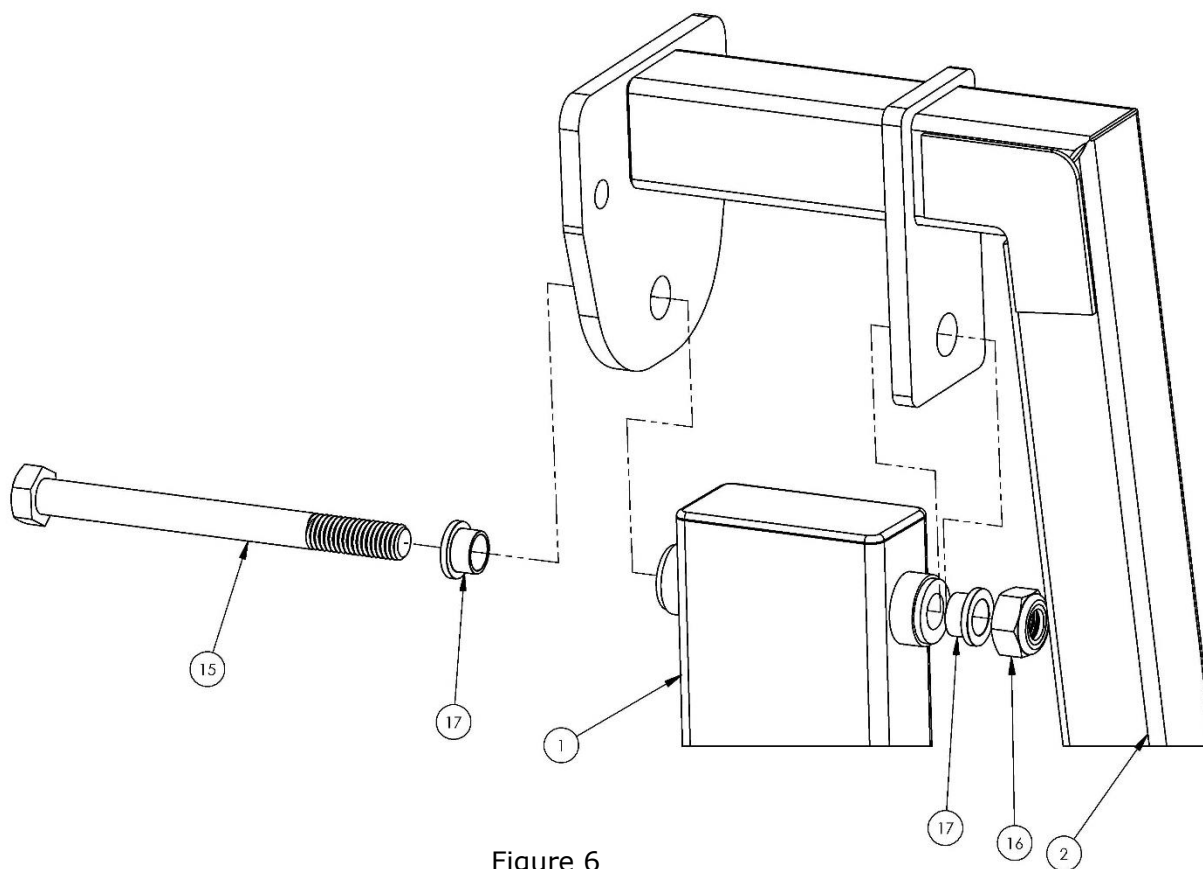
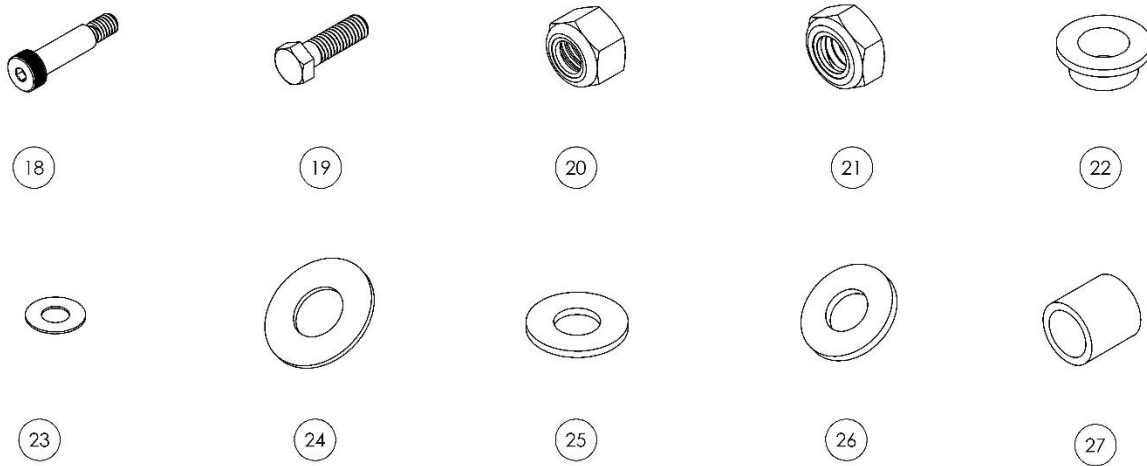


Figure 6

9. Use Hardware Kit 580-7200 to attach the seat leveling arm to the seat arm as shown in Figure 7.

**HARDWARE KIT - 580-7200**

ITEM NO.	PART NUMBER	DESCRIPTION	QTY.
18	05-3125-1625-375SB-MG	3/8" OD SHOULDER BOLT W/ 5/16"-18	1
19	05-375-125-MG	3/8"-16 X 1 1/4" HHS 316 SS BLOT	1
20	05-3125-LN-MG	5/16"-18 NYLON LOCKNUT 316 SS	1
21	05-375-TLN-MG	3/8"-16 THIN NYLON LOCKNUT, 316 SS	1
22	800-0102	3/8" FLANGE BUSHING	4
23	05-32-111	3/8" NYLON PROTECTIVE WASHER	3
24	5-145-MG	3/8" FLAT WASHER 316 S	3
25	05-625	5/16" NYLON FLAT WASHER	1
26	5-303	5/16" FLAT WASHER	1
27	05-375-05B	3/8" ID X 1/2" LONG BEARING	1



10. Tighten bolt and lock nut until snug; then back off 1/2 rotation.

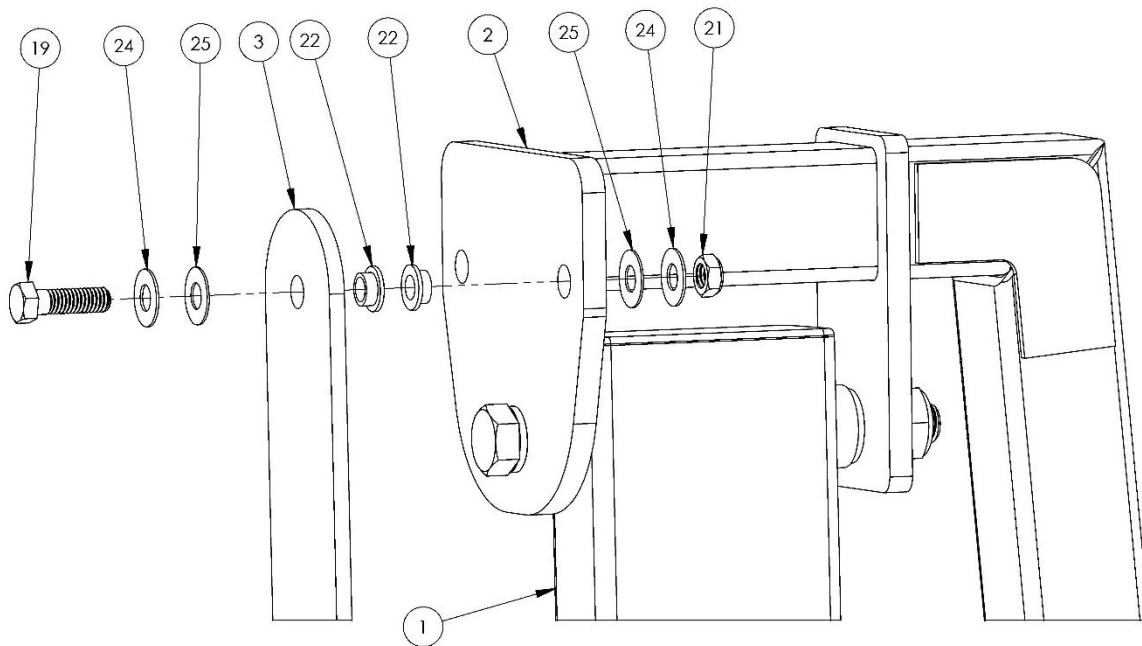


Figure 7

11. Next assemble the seat leveling arm to the multiLift2 base as shown in Figure 8.

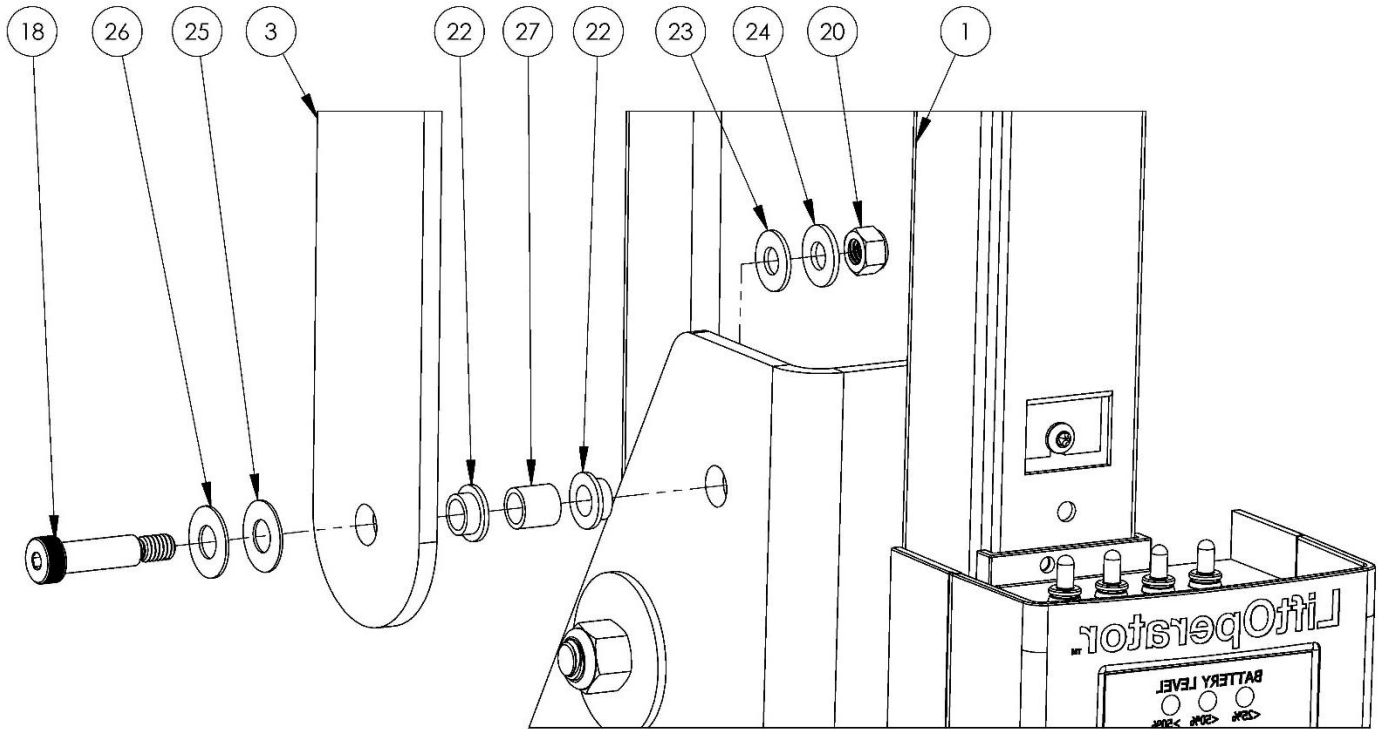


Figure 8

12. Tighten bolt and lock nut until snug; then back off 1/2 rotation.

**Note: This completes the right mount configuration; please skip to page 21 for the balance of assembly instructions.**



## LEFT SIDE SEAT MOUNT CONFIGURATION

When standing facing the lift/pool, this is the reference orientation for determining right/left.

**Caution:** During assembly, ensure the lift actuator motor is positioned away from the seat leveling arm. Failure to install the seat leveling arm on the side of the lift opposite to the lift actuator motor will cause interference and damage to the lift components. Figure 9 shows the correct position for the actuator and seat leveling arm for a left seat mounting configuration. The main assembly for the multiLift2 is shipped with the actuator installed in the right seat mount configuration. When assembling the lift for a left seat mount configuration, the actuator must be detached from the base, rotated 180 degrees and reattached.

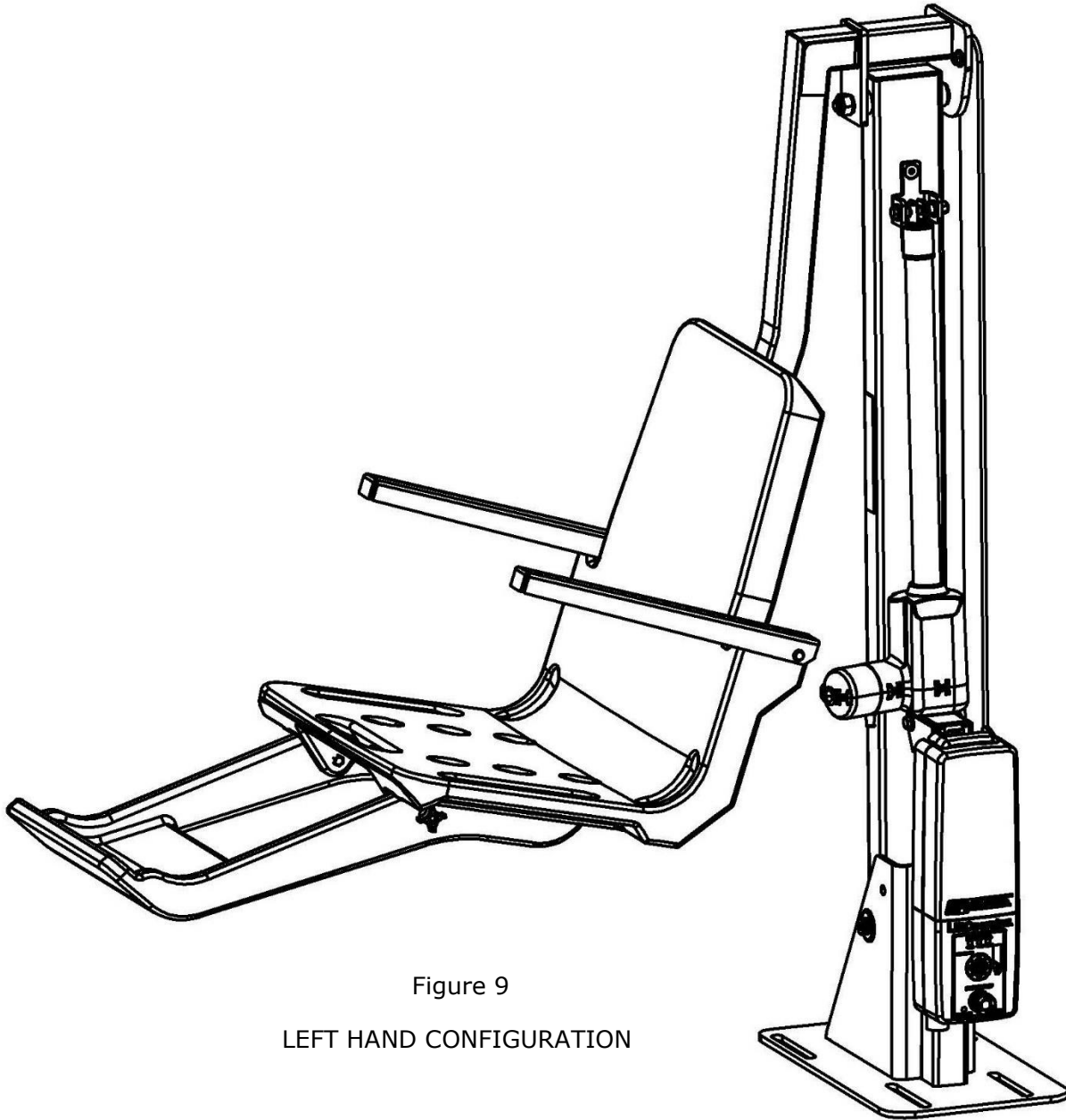


Figure 9

LEFT HAND CONFIGURATION

13. Remove the hardware connecting the actuator to the base. Rotate the actuator 180 degrees so that it is in the position shown in Figure 9 and reattach the actuator. Figure 10 shows the re-assembly sequence for bolt, washer, spacers, and nut.

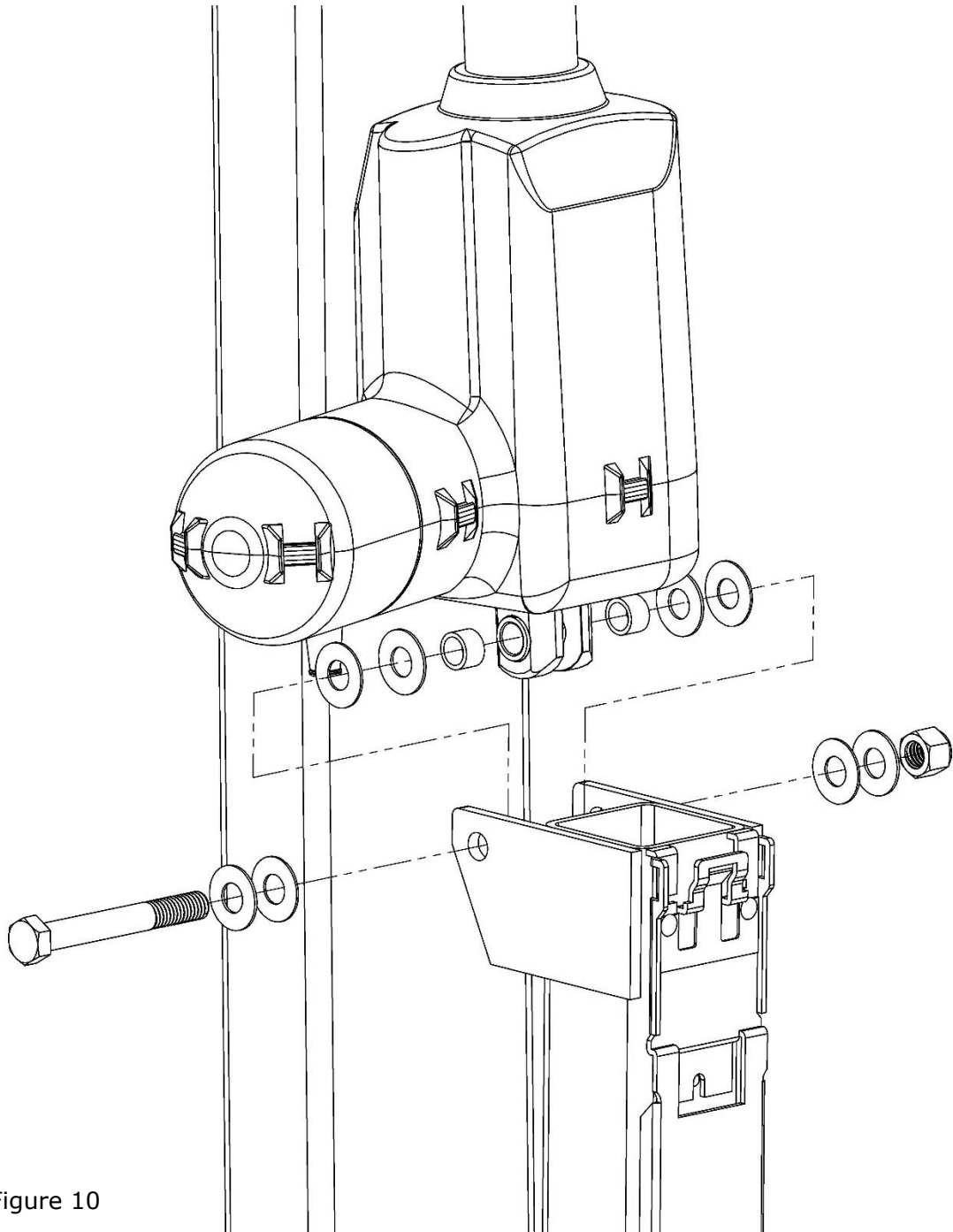


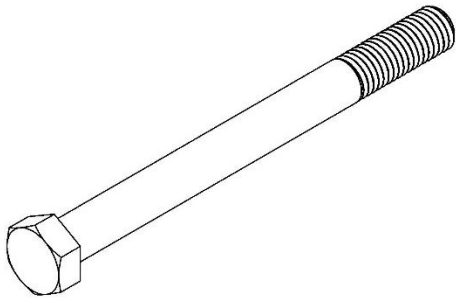
Figure 10

**CAUTION:** This configuration modification can be challenging, so it's best (2) two people assist each other to get the spacers back in place and the lift does NOT deploy/move.

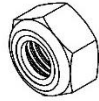
14. Install the lift seat arm to the multiLift2 assembly by using Hardware Kit 580-7100 as shown in Figure 11:

### HARDWARE KIT - 580-7100

ITEM NO.	PART NUMBER	DESCRIPTION	QTY.
15	05-625-7	5/8"-11 X 7" 316 SS BOLT	1
16	05-625-TLN-MG	5/8"- 11 LOCK NUT, 316 SS	1
17	05-625-05-075FB	5/8" FLANGED BUSHING	2



15



16



17

15. Tighten bolt and lock nut until snug; then back off 1/2 rotation.

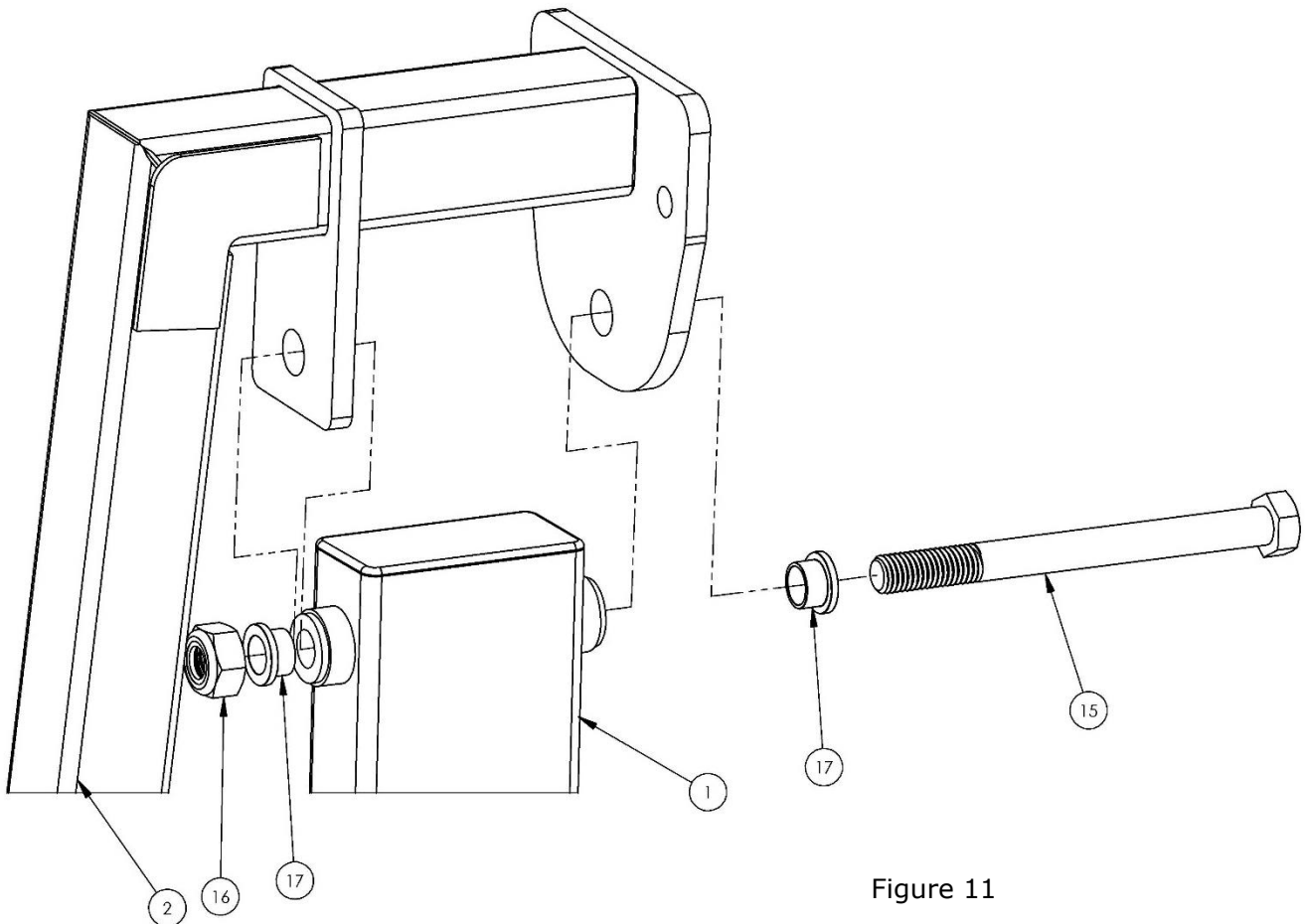


Figure 11

16. Next attach the seat leveling arm to the seat arm as shown in Figure 12.

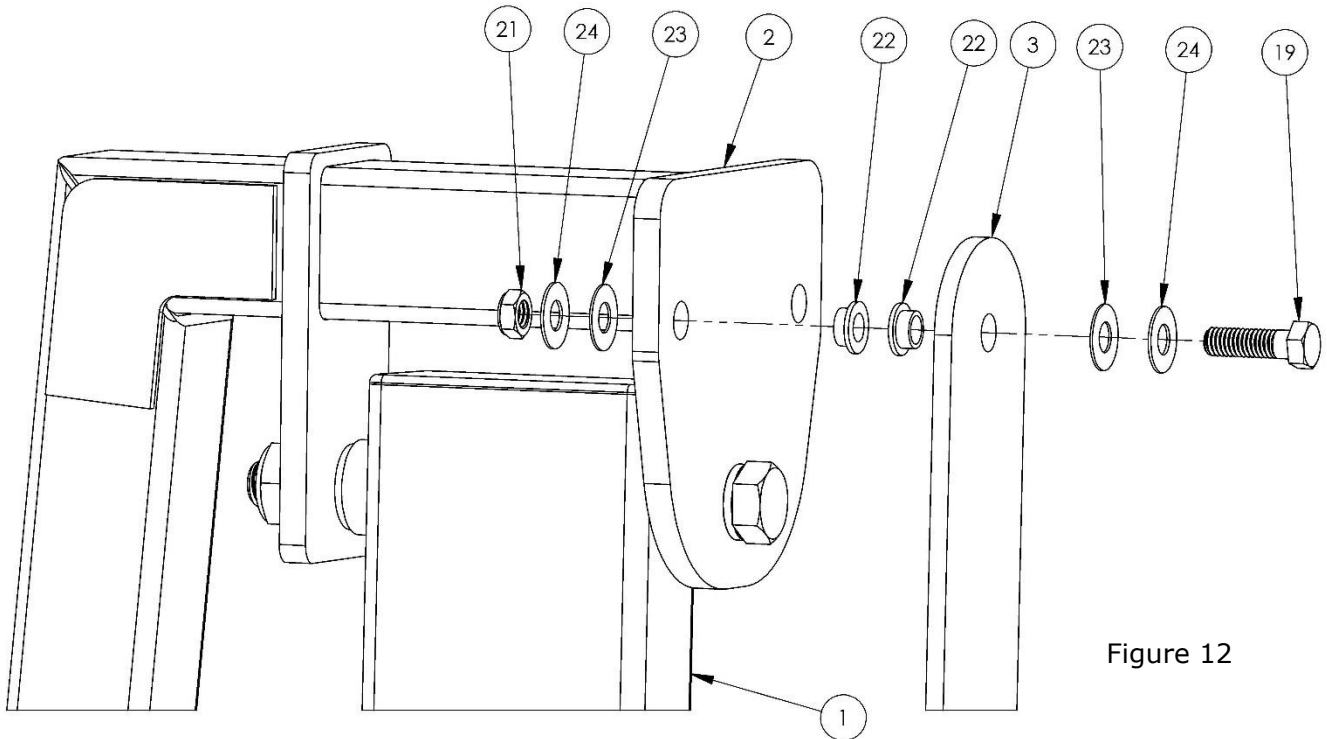


Figure 12

17. Tighten bolt and lock nut until snug; then back off 1/2 rotation.

18. Next assemble the seat leveling to the multiLift2 base as shown in Figure 13.

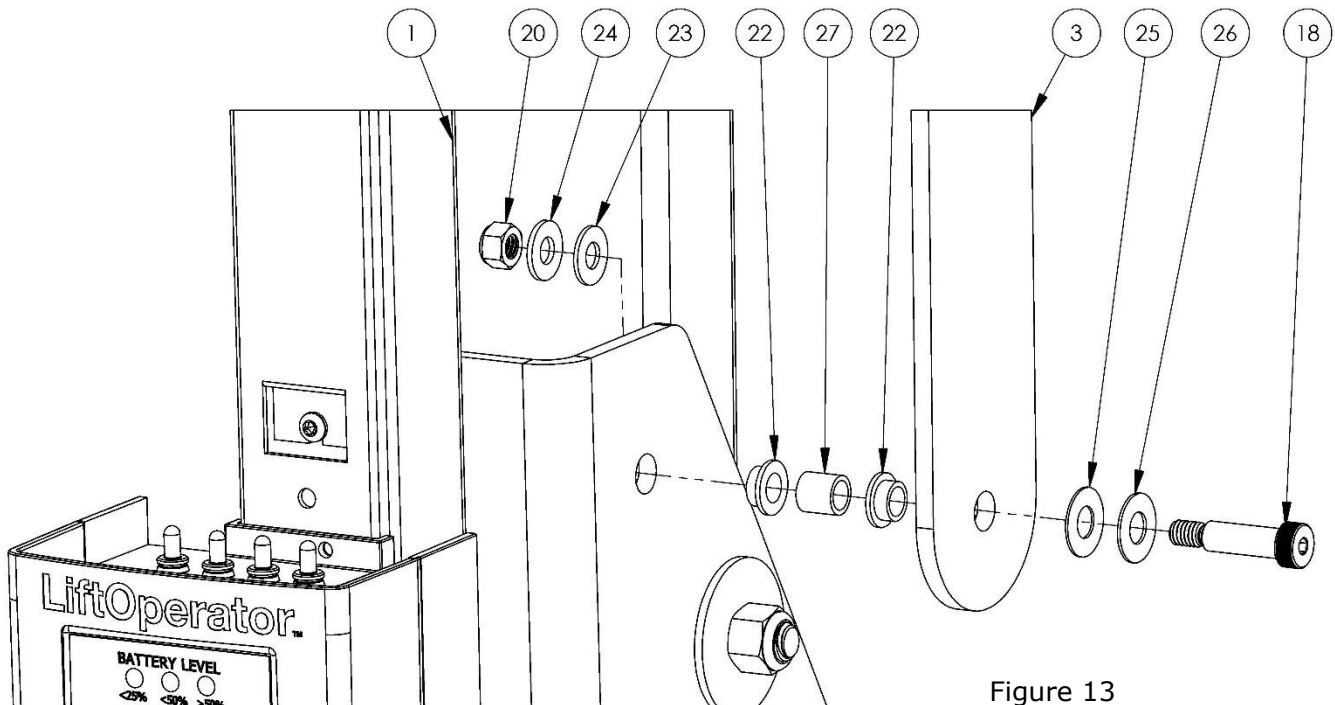


Figure 13

19. Tighten bolt and lock nut until snug; then back off 1/2 rotation.

20. Locate Seat Assembly and attach to Seat Frame using bolt (2) Washers, and. (1) Acorn Nut Tighten using (2) ½" Box Wrenches. See Figure 14.

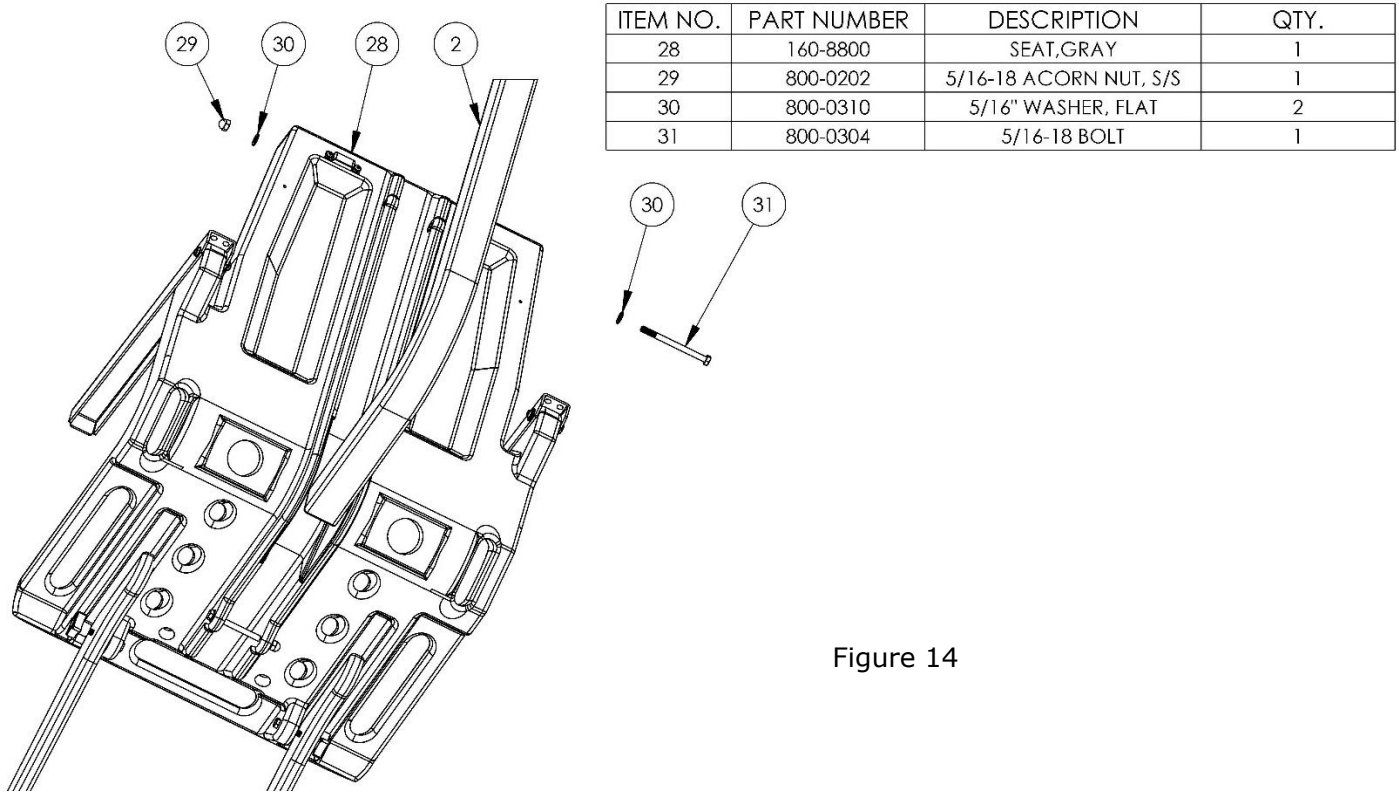


Figure 14

21. Attach the Footrest to the Seat using (2) bolts and (2) 4-arm knobs through holes on bottom of Seat and Footrest. See Figure 15.

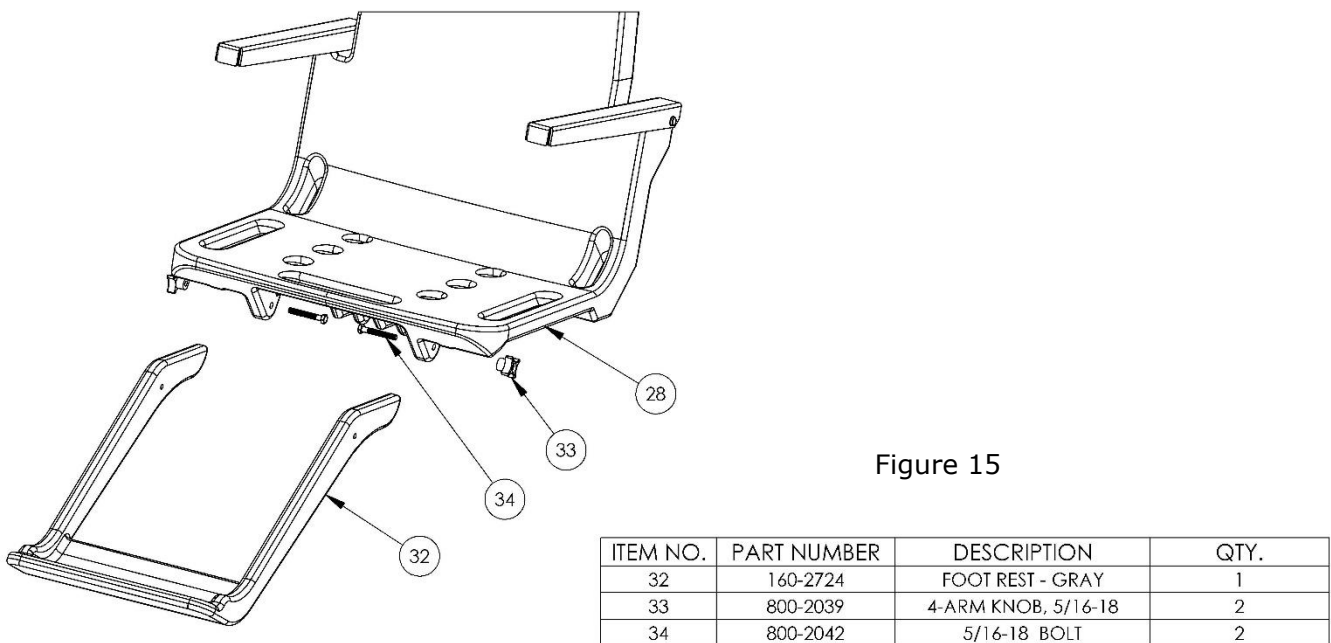
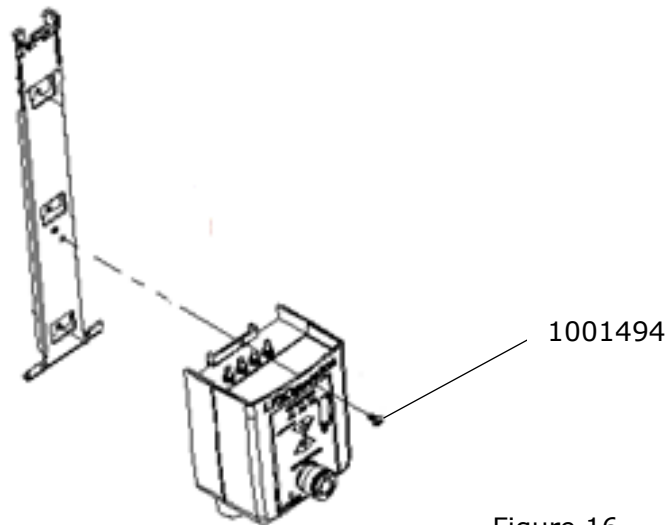
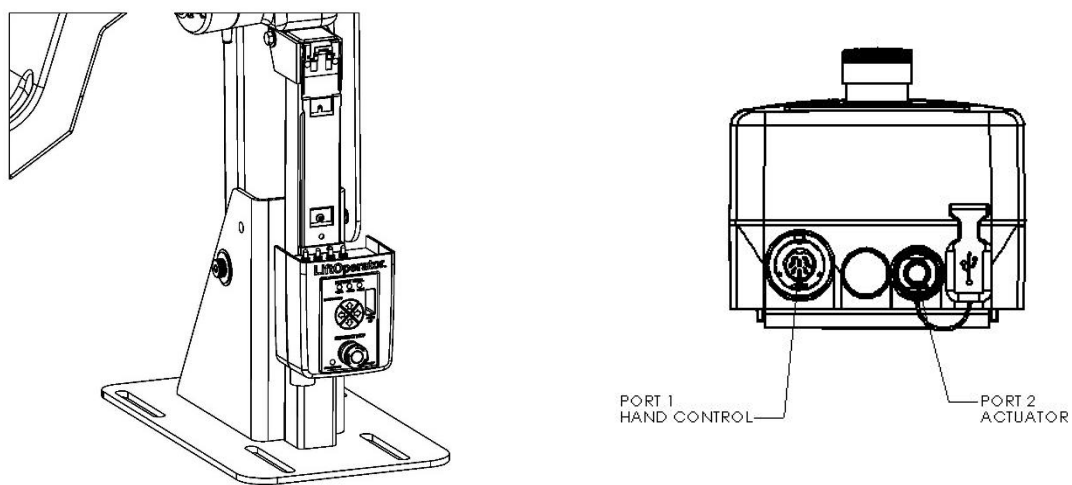


Figure 15

22. Install the LiftOperator Control to the mounting bracket by inserting the tabs on the bottom of the mounting bracket into the slots in the lower backside of the controller. Secure the controller to the bracket by installing the #10-32 X 3/8 screw and tightening with the wrench provided. See Figure 16.



23. Remove the Hand Control from accessory carton and unwrap. Insert Hand Control plug into large socket on the LiftOperator Control Box shown in Figure 17. Next, install the actuator plug into the socket shown in Figure 17. Route actuator cable from the motor as shown in Figure 17.



24. Attach battery to LiftOperator Control Box making sure that the battery latch bracket locks into the slots on the control unit mounting bracket. To remove the battery from the control unit, (1) pull outward on the battery handle until the battery latch bracket clears the slots in the control unit mounting bracket, (2) then pull upward, see Figure 18.

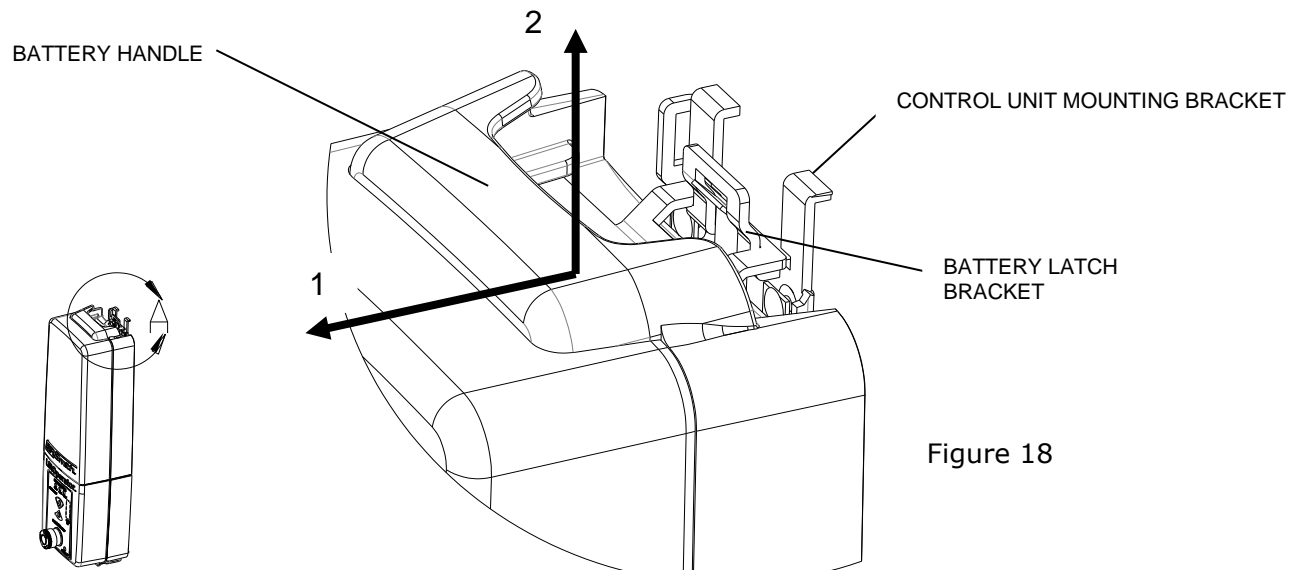


Figure 18

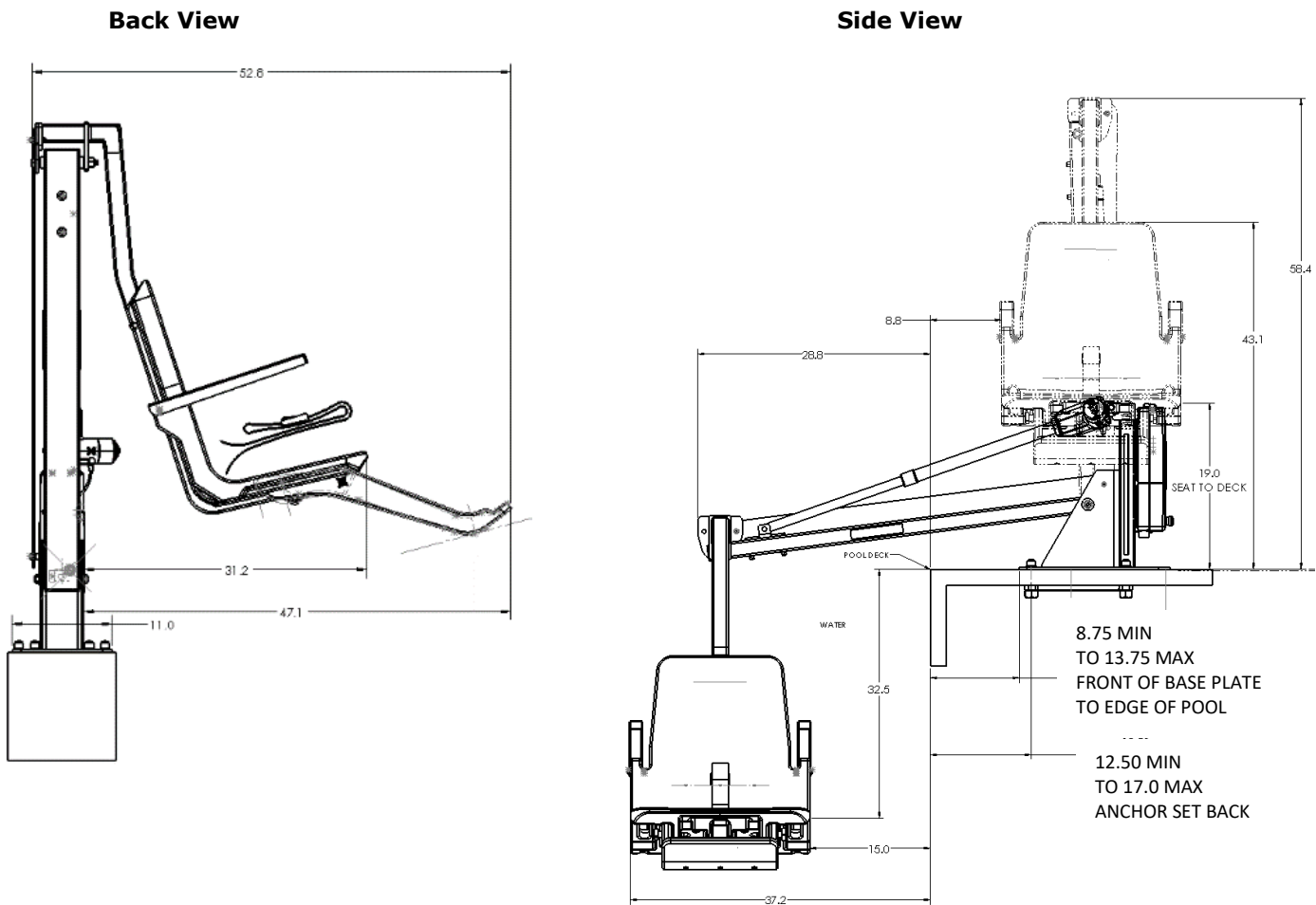
25. Check all controls and emergency stop button for proper operation. See LiftOperator Owner's Manual for details.

## POOL DECK INSTALLATION FOR THE multiLift2

Ensure the anchors have been installed in the correct location in the pool deck for proper lift operation. It is recommended that the anchor be installed by a person familiar with installing pool deck equipment. The pool owner is responsible for ensuring that all applicable ordinances are followed when installing the lift.

The optimal mounting distance for the deck front anchors is 12.5" / 31.75 cm from the edge of the pool. The front anchors can be installed up to a maximum of 17" / 43.18 cm from the edge of the pool. The setback distance from the pool edge to the front anchor locations varies depending upon pool geometry. The multiLift2 is designed to be used with simple pool edge designs with deck to water level differences of up to 14.5" maximum, see Figure 19.

Please contact S.R.Smith with any questions concerning deck anchor placement or to determine if the multiLift2 is the best choice for your installation.



**MINIMUM DISTANCE BETWEEN FLUSH DECK ANCHORS AND EDGE OF CONCRETE SLAB SHALL NOT BE LESS THAN FOUR (4) INCHES.**

Figure 19



## INSTALLING ANCHORS INTO EXISTING CONCRETE DECK

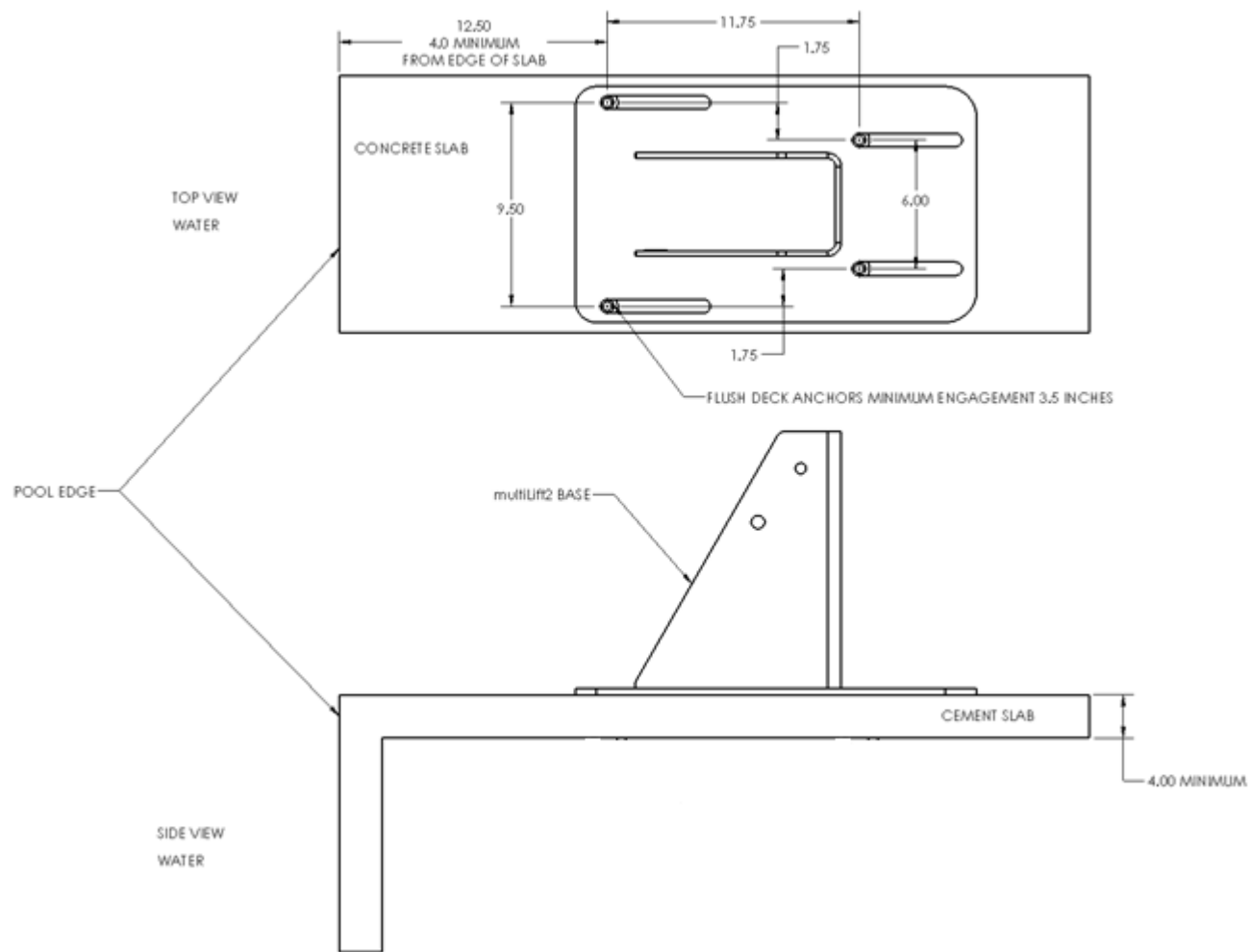


Figure 20

Follow these guidelines to make sure that your anchors are installed properly:

- Minimum concrete slab requirements for the multiLift2:
  - Slab dimensions should be at least 42" X 60" X 4", reinforced. See Figure 20 above.
  - Anchors shall be installed at a minimum of 4" or greater from the edge of the slab or expansion joint.
  - Existing slab shall exhibit no signs of cracking or deterioration.
- S.R.Smith recommends using Simpson SET epoxy adhesives or equivalent for installation of the deck anchors. Use epoxy adhesives per the manufacturer's instructions.
- Use Figure 19 to determine the proper location to install the lift, making certain that the front anchors are located the correct distance from the pool edge
- Layout and mark the hole locations on the deck using the multiLift2 Anchor Set Jig as a template.
- Drill four holes 1.125" diameter and 3.625" deep in the locations marked in step 2. **Note:** The hole that the bondable anchor will be inserted into will need to be slightly deeper than the others. It is recommended that the anchors are placed into each hole prior to pouring the epoxy to ensure that the holes are drilled to the proper depth.

6. Clean all dust and debris from the holes.
7. Bond at least one of the flush deck anchors per local codes. Contact your local Authority having jurisdiction for the bonding requirements in your area. A threaded hole for attaching a bonding screw is provided on bottom side of one of the deck anchors. Use the screw provided with the deck anchor kit to attach the bonding wire to the deck anchor. See Figure 21.

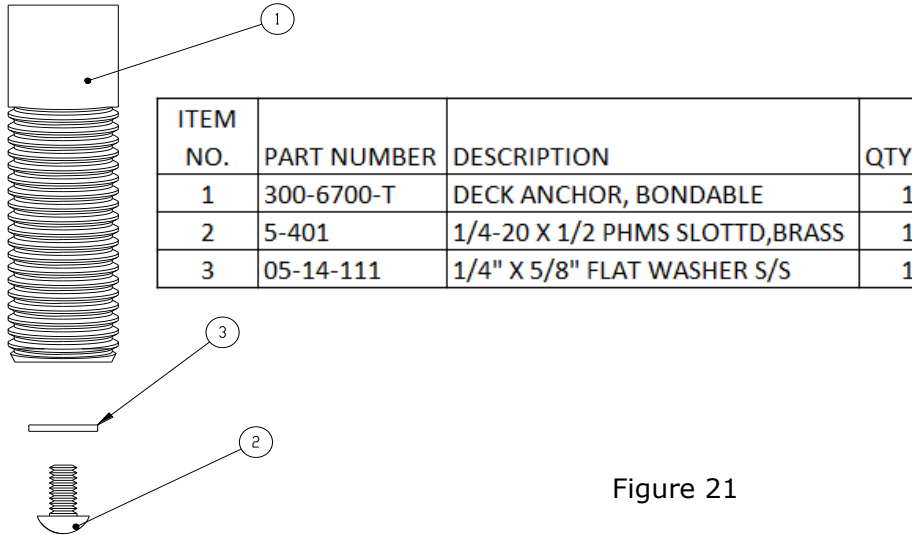


Figure 21

8. The multiLift2 Anchor Jig must be used to ensure that the anchors are held in the correct position until the epoxy is cured. To use the Anchor Jig, place the 1/2"-13 X 2" Hex Bolts through the tubes in the Anchor Jig and thread the bolts into the anchors until the top surface of the anchors contact the bottom of the Anchor Jig tubes. See Figure 22.

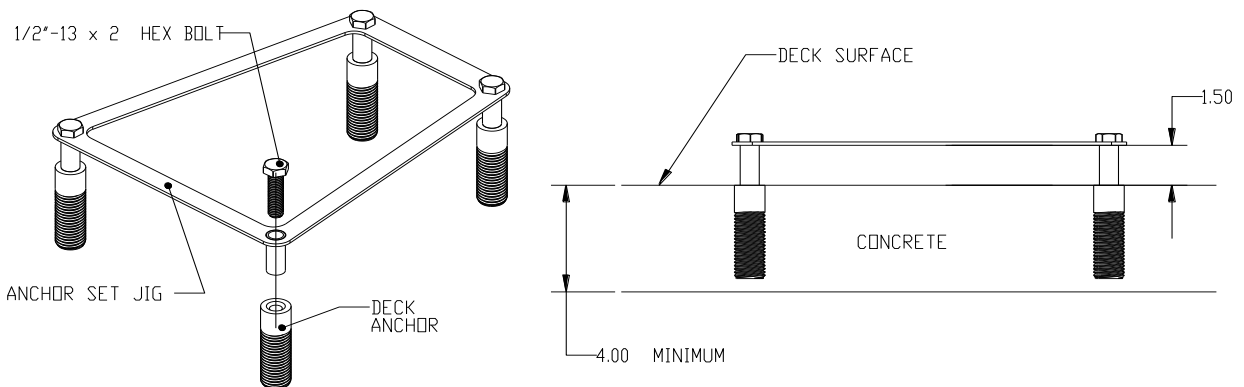
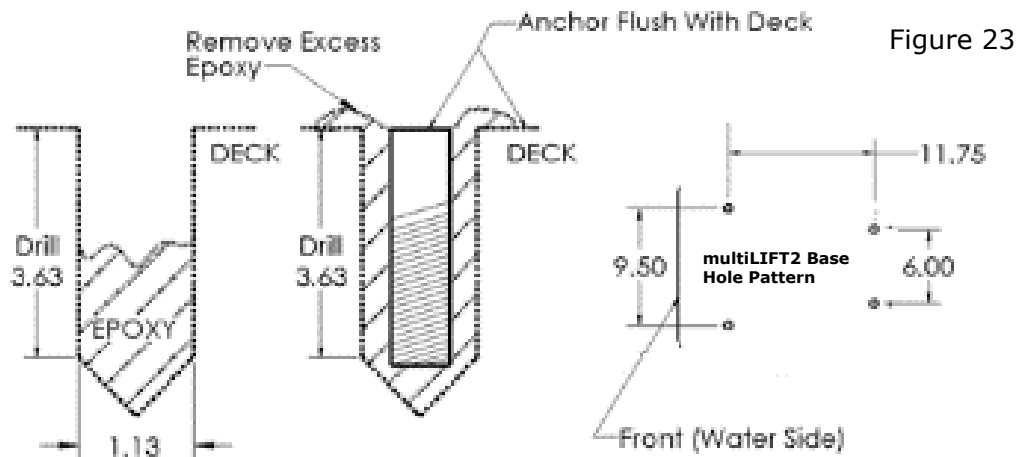
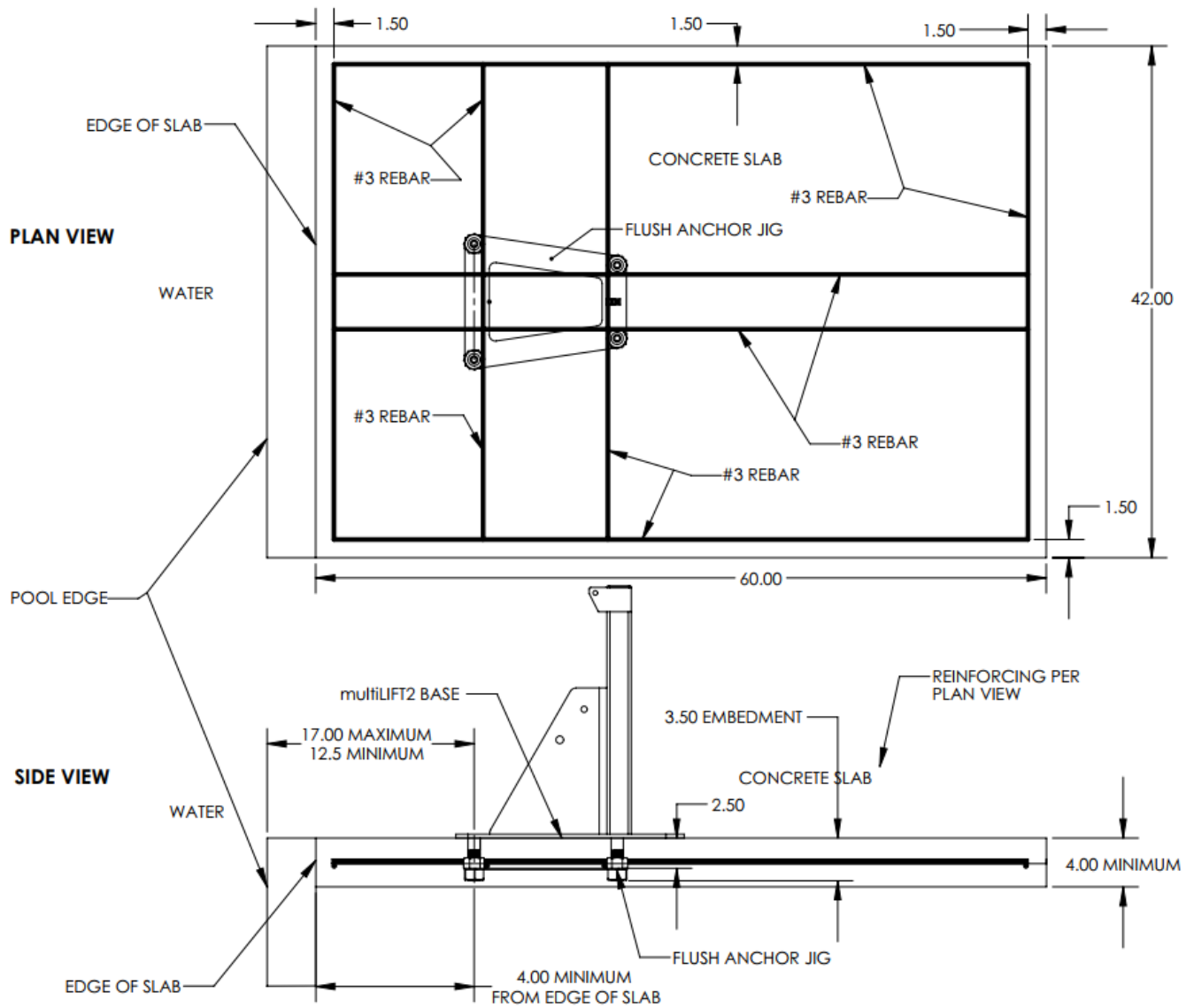


Figure 22

9. 1-1/2" blocks can be used as spacers between the deck surface and the Anchor Jig to ensure that the tops of the anchors are flush with the deck surface.
10. Fill holes approximately half full of epoxy.
11. Insert deck anchors, making sure that the anchors are flush with the top of the deck.
12. Remove any excess epoxy immediately. See figure 23
13. Allow the epoxy to cure per the manufacturer's instructions.
14. Once the epoxy has cured, install the lift per the installation instructions.



# INSTALLING ANCHOR JIG INTO NEW CONCRETE DECK



Follow these guidelines to make sure that your anchor jig is installed properly:

1. Minimum concrete slab requirements for the multiLift2:
  - Slab dimensions should be at least 42" X 60" X 4", see Figure 23 above.
  - Anchors shall be installed at a minimum of 4" or greater from the edge of the slab or expansion joint.
  - Normal weight of concrete = 150 lbs/ft<sup>3</sup>
  - Concrete minimum compressive strength at 28 days to be F'c =2500 psi.
  - Reinforcing bars shall conform to ASTM A615 Grade 60, deformed.
2. Use Figure 19 to determine the proper location to install the lift, making certain that the front anchors are located the correct distance from the pool edge.
3. Assemble the deck anchors to the anchor jig as described in **Appendix B**
4. on page 36.
5. Install the anchor jig and reinforcing rods per Figure 23.
6. Use the bonding lug provided on the anchor jig to attach the bonding wire per local codes. Contact your local Authority having jurisdiction for the bonding requirements in your area.
7. Make sure that the top of the anchors are flush with the top surface of the slab.
8. Allow concrete to cure per manufacturer's instructions.
9. Once the concrete has cured, install the lift per the installation instructions.

### USING THE multiLift2

Obey all User Instructions listed in the Owner's Manual whenever using lift. Obey all Caution, Warning, Operating Instruction(s) and Labels located on the lift whenever using. It is the responsibility of the lift Owner to ensure that the correct safety procedures have been put in place and a risk assessment carried out. If a User is mentally challenged or has physical disabilities these issues must be taken into account to determine the number of persons required to complete the transfer onto the seat and the number of persons required to be in the water, ready to receive the User. If the multiLift2 will be used by a disabled person living on their own, a communication device should be installed in the area to call for assistance in the event of an emergency. Only persons healthy enough for water activities should use the multiLift2. Users should consult with their physician to determine if water activities are appropriate for the User. Keep fingers and hands clear of lift arms during use.

### multiLift2 Transferring Diagram

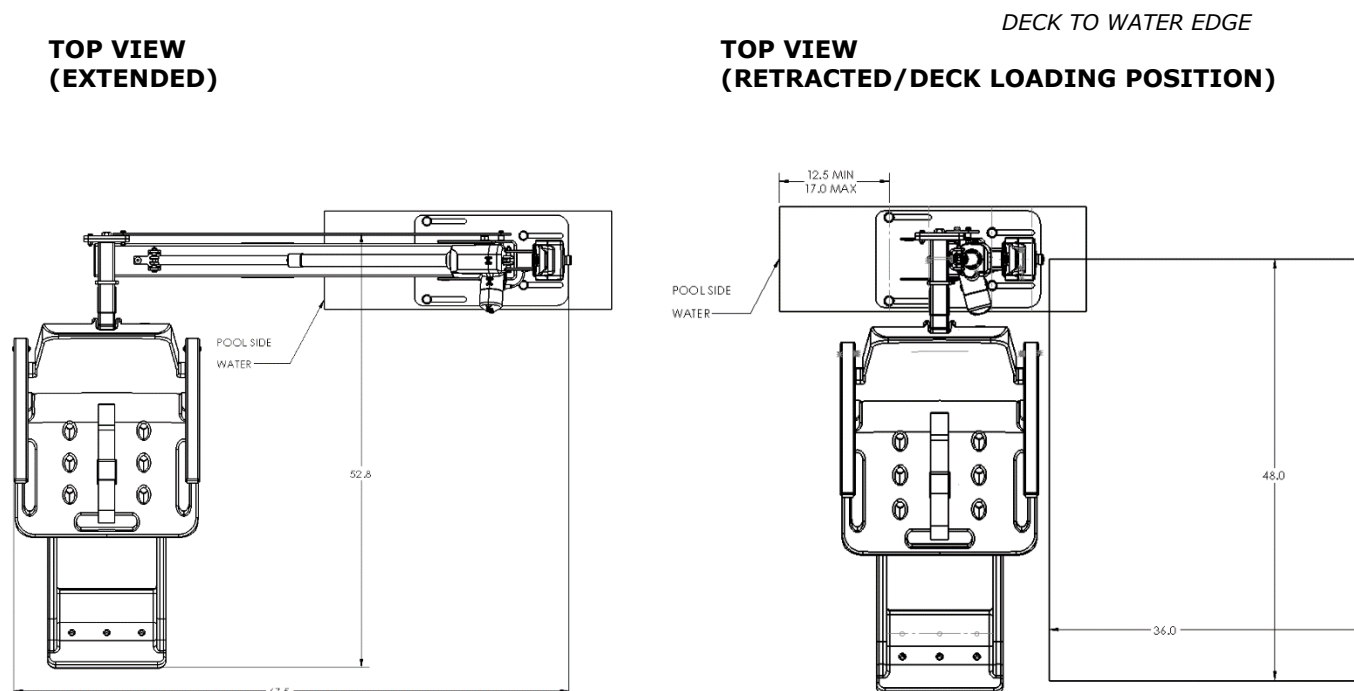


Figure 24

## TRANSFERRING THE USER TO THE WATER

Once the unit is positioned for use, use the following procedure to transfer to the seat and into the water. Only persons healthy enough for water activities should use the multiLift2. Users should consult with their physician to determine if water activities are appropriate for the User:

- Check battery level of LiftOperator to ensure charge is adequate for operation (at least 50% charge recommended).
- Use the buttons on the Hand Control or control unit front panel to raise the seat to the deck loading position as shown on pages 7 and 10.
- Transfer user onto the seat, ensuring that the user's weight is centered on seat. Armrests can be rotated up if necessary (optional US/standard on EU models). If user has a wheelchair, keep the wheelchair close by for easy retrieval.
- Fasten Seat Belt - thread loose end of belt strap through buckle - pull tight - to close - press latch down on belt material.
- Use the Hand Control or control unit front panel to lower the seat into the water. The waterproof Hand Control can remain connected to seat if user is operating lift.
- Unfasten Seat Belt - grasp latch and lift up, pull loose end from latch.
- When finished, return to the seat, ensuring user's weight is centered on seat.
- Fasten Seat Belt.
- Use the buttons on the Hand Control or control unit front panel to return the seat to the deck loading/unloading position.
- Unfasten Seat Belt.
- Transfer off of the seat.

## IN CASE OF HAND CONTROL FAILURE

**Lifting failure** - In the event of a Hand Control failure, or if the Hand Control is out of reach, there are control buttons built into the touch pad of the Control Box.

**If the multiLift2 will be used by a disabled person at an unsupervised location, a reliable communication device must be installed in the area of use to call for assistance in the event of an emergency.**

**STANDARD ACCESSORIES/OPTIONAL ACCESSORIES**

The following items are included with all S.R.Smith pool lift models:

- Seat Belt Assembly - Nylon water-resistant belt for added security.
- Battery/Charger – 24-volt rechargeable battery.

Optional accessories may be purchased for your multiLift2 lift through your Authorized Reseller. The following accessories are available:

**Console/Battery Cover – P/N 910-1000T (Tan):** Protects battery and control unit from exposure to moisture

**P/N 910-1000S (Slate):** Protects battery and control unit from exposure to moisture

**multiLift2 Deck Anchor Kit P/N 300-6700A** – Includes four (4) flush deck anchors.

**New Construction Anchor Jig P/N 500-5000** – Includes anchor jig, and hardware minus the flush deck anchors. See anchor jig assembly info **Appendix B** on page 36.

**MAINTENANCE and CLEANING**

A maintenance program will prolong the life of your lift. Keep all electronic components clean and dry. Keep the console/battery cover installed at all times to prevent moisture from collecting on the Control Box and battery. Excessive moisture collection can affect battery and lift performance and could lead to battery failure and/or the lift failing to operate. **If the lift is used outdoors, an optional full cover is available and recommended.**

Owners of lifts should be aware of any applicable local, state/provincial, or federal/national regulations regarding the inspection and or testing of lifts.

**The following schedule shall be performed to ensure proper operation with the Daily items performed before each use:**

Maintenance Performed	Daily	Monthly
Check battery level before each use / Charge battery daily	✓	
Wipe Control Box and battery connection with a clean dry rag	✓	
Examine lift for any damage, loose or missing hardware	✓	
Test for normal operation	✓	
Make sure all cable connections are properly secured		✓
Inspect lift frame, mast, support arm and seat assembly for rust		✓
<b>Cleansing Performed – after each use</b>		
Rinse seat and seatbelt with fresh water between each use - Cleanse seat and seatbelt with a disinfectant solution of 1:100 dilution of household bleach to fresh water and then rinse with fresh water and dry entire lift daily. In the event of a contamination incident such patient/user excreta - cleanse seat and seatbelt immediately with the disinfectant solution*	✓	
Cleanse all battery connections with a nylon scouring pad		✓
Cleanse all metallic surfaces with a cleaner wax to maintain the finish of the lift		✓

\* When using the disinfection solution avoid direct contact with the skin and eyes. In the event of a contamination incident - immerse the seat belt in the disinfection solution for 10 min. and then rinse thoroughly with fresh water.

## **TROUBLE SHOOTING**

Visit [srsmith.com/en-us/customer-service/lift-troubleshooting](https://www.srsmith.com/en-us/customer-service/lift-troubleshooting) to view our library of pool lift maintenance and troubleshooting videos.

Lift does not function:

1. Be sure the battery is fully charged before troubleshooting. The battery is fully charged when the charge indicator LED located near the battery charging port is green. If the battery charge indicator light is solid red, let the battery continue to charge until the light turns green. If the battery charge indicator LED is flashing red, it indicates that there is a fault with the battery and the battery should be replaced.
2. Check battery charge level. With the battery connected to the control box, pressing any button on the hand control, or the Control Box front panel, will turn on the Control Box and the battery indicator LEDs will show the charge level of the battery. If the Battery charge level is less than 25% and the battery has been fully charged, the battery needs to be replaced. If no lights come on after the battery is connected to the Control Box and after pushing buttons on the control box, verify that the battery is properly connected to the control box. If the battery has been checked per step 1, then the issue is likely with the control box, and the Control Box will need to be replaced.

Lift will not raise and lower when using the hand control:

1. Check Hand Control connection to control box. Be sure plug is pushed in all the way.
2. Check Hand Control connection to Control Box for damaged pins.
3. Check connection cable for damage.
4. Use the buttons on the front panel of the Control Box to raise and lower the lift. If the lift raises and lowers when using the buttons on the front of the control box, the Hand Control should be replaced.

If none of the above steps work in getting the lift to function, call S.R.Smith for assistance.

## **LONG-TERM STORAGE**

When storing the lift for an extended period of time:

- Wash seat with disinfectant solution and then rinse with fresh water and dry entire lift
- Keep the battery on the charger in a dry temperature-controlled area
- Cover unit and store in a dry location away from pool chemicals



## WARRANTY INFORMATION

**The S.R.Smith warranty becomes effective on the date of manufacture.**

To initiate a warranty replacement, please follow the process outlined below.

1. **Take photos of the damaged product.**
  - a) The photo must include the entire unit (i.e. board and stand or slide from a distance).
  - b) Also include one photo or more of the damaged area.
2. **Write down or take photo of the serial # sticker from the product.**

S.R.Smith provides a serial # for every board, lift, stand, slide and rail product we produce. The sticker with the serial number for our boards, stands and slides is a silver, 1" long rectangular sticker found on the side or bottom of the item. The serial # sticker for our rail products is clear and 2" long. It will be found on the inside of the topmost curve. The serial # sticker for the lifts is silver and 2 ½" x 3 ¼". It is located on the mast.
3. **Attach the photos and the serial # to a written request for replacement under the S.R. Smith warranty.** Please include the following information:
  - a) Product name and description. (i.e.: board length/color, curve direction of slide, etc.)
  - b) Date of purchase and/or date of installation.
  - c) Description of damage.
  - d) Shipping address with a contact name and phone number.
4. The claim can be filed here: <https://www.srsmith.com/en-us/customer-service/warranty-claim/>
5. Additional warranty information can be found here: <https://www.srsmith.com/en-us/customer-service/warranty-information/>

**\*\*Please Note:** Missing information will result in a processing delay and possibly denial of your claim.

Should you have any questions regarding this process, please contact S.R.Smith's Warranty Specialist at 800.824.4387 or 503-266-2231 or email [customer@srsmith.com](mailto:customer@srsmith.com)

## Batteries

All batteries are inspected prior to shipment and should be free from defect. See warranty policy regarding battery replacement due to defect. Batteries have a normal lifespan of between 2-3 years, depending on use and care.

Battery should be charged daily. Do not allow battery to fully discharge, as it will shorten battery life. Whenever battery is removed from Control Box or lift is not in use it is important to connect battery to charger. This ensures battery is fully charged and ready for use.

Do not drop the battery, as it could cause the unit to fail. If the battery case is cracked do not use and replace. Battery has contacts located on the bottom of the housing. Do not place on a conductive surface that can cause a short. During temperature extremes beyond the range of 41 F (5 C) to 104 F (40 C) remove battery and place in a controlled environment.

Keep the console/battery cover installed at all times to prevent moisture from collecting on the Control Box and battery. Excessive moisture collection can affect battery and lift performance and could lead to battery failure and/or the lift failing to operate.

## BATTERY DISPOSAL

The battery is recyclable and shall be disposed of in accordance with applicable local, state/provincial, or federal/national regulations.

## SPECIFICATIONS

### multiLift2

#### 1. Dimensions/Capacity

---

Height	58.4"/148.3cm
Overall Length-extended	67.3"/170.9 cm
Seat Width	23"/58.5cm
Unit Weight-inc. chair	118 lb/ 53.52 kg
Unit Weight-w/o chair	88 lb/ 39.9 kg
Power	24v DC
Battery Life	30 cycles (approx.)
Lifting Capacity	350 lb/158.7 kg
Anchor Reaction Load:	
Vertical	467 lb/ 211.8 kg
Torque	1158 ft lb/ 1570 Nm

#### 2. Actuator

Type	Screw Type Mechanical Actuator
Maximum Thrust	1680 lb/7472N
Voltage	24v DC
Maximum Amp Draw	9
Maximum Speed	0.59 inch/sec./1.49cm/sec.

#### 3. Battery

Power	24 VDC, IP65 Gel Lead Acid
Temperature Range	41°F (5°C) to 104°F (40°C)

#### 4. Range of Motion Information

Vertical Travel	51.3"/130.3 cm
-----------------	----------------

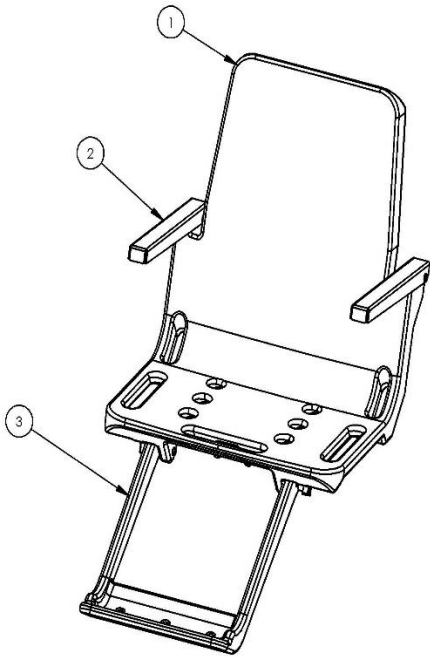
#### 5. Noise

Noise level below 50 dB(A), measured according to DS/EN ISO 3746"

#### 6. Materials and Finish Information

Frame	Powder Coated Stainless Steel
Arms	Powder Coated Aluminum
Mast	Powder Coated Stainless Steel
Seat Assembly	Seat: Roto-Molded Plastic Frame: Powder Coated Stainless Steel
Covers	Urethane coated nylon

## APPENDIX A: multiLift™2 SEAT w/FOOTREST (160-9200)



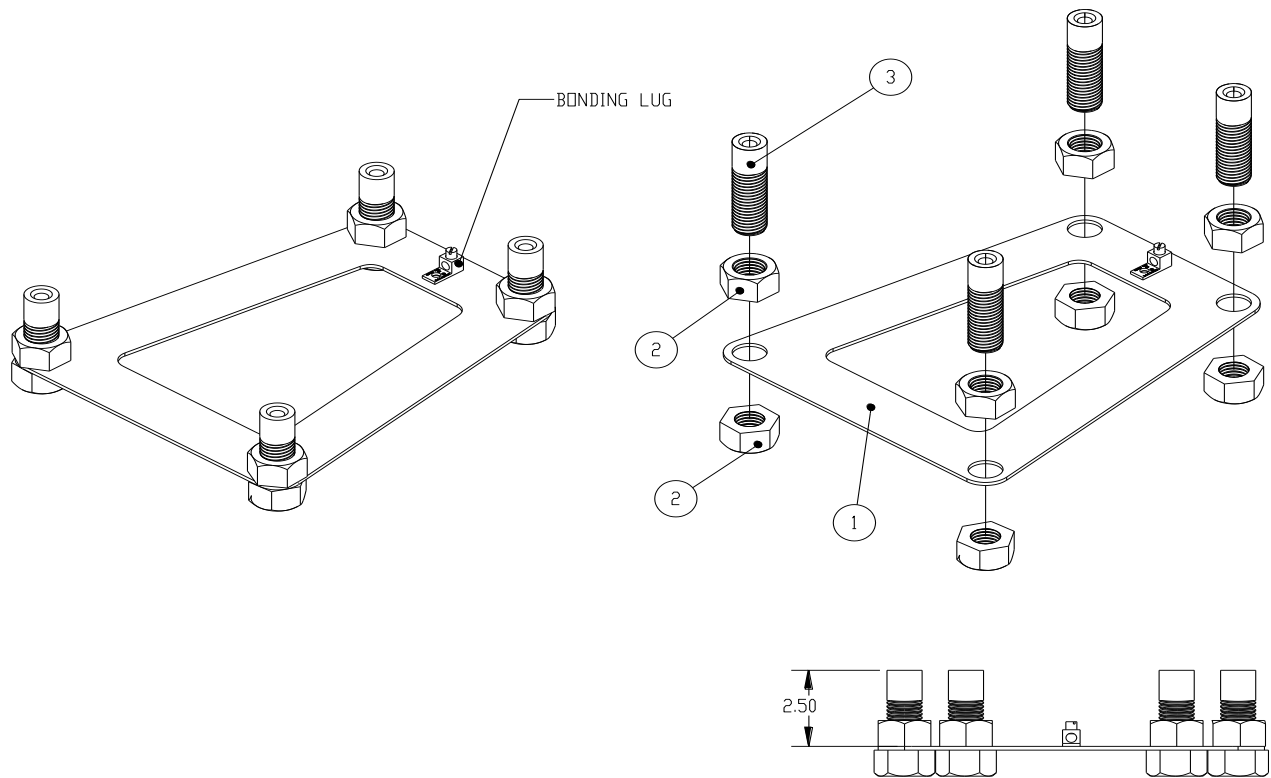
ITEM NO.	PART NUMBER	DESCRIPTION	QTY.
1	160-8800	SEAT, 1PC ROTOMOLD, GRAY	1
2	170-3000	ARMREST ASSY, 1PC SEAT, PC GRAY	2
3	160-2300	Foot Rest	1
4	900-1000	SEAT BELT ASSY (NOT SHOWN)	1

### **FOOTRESTS**

1. ATTACH THE multiLift™2 FOOTREST USING THE THUMBSCREWS AND 2 ¼" LONG HEX BOLT
  - (800-2042 AND 800-2039)

**\*ARMRESTS (PROVIDED WITH SEAT 160-9200)**

## APPENDIX B: New Construction Jig (500-5000A)



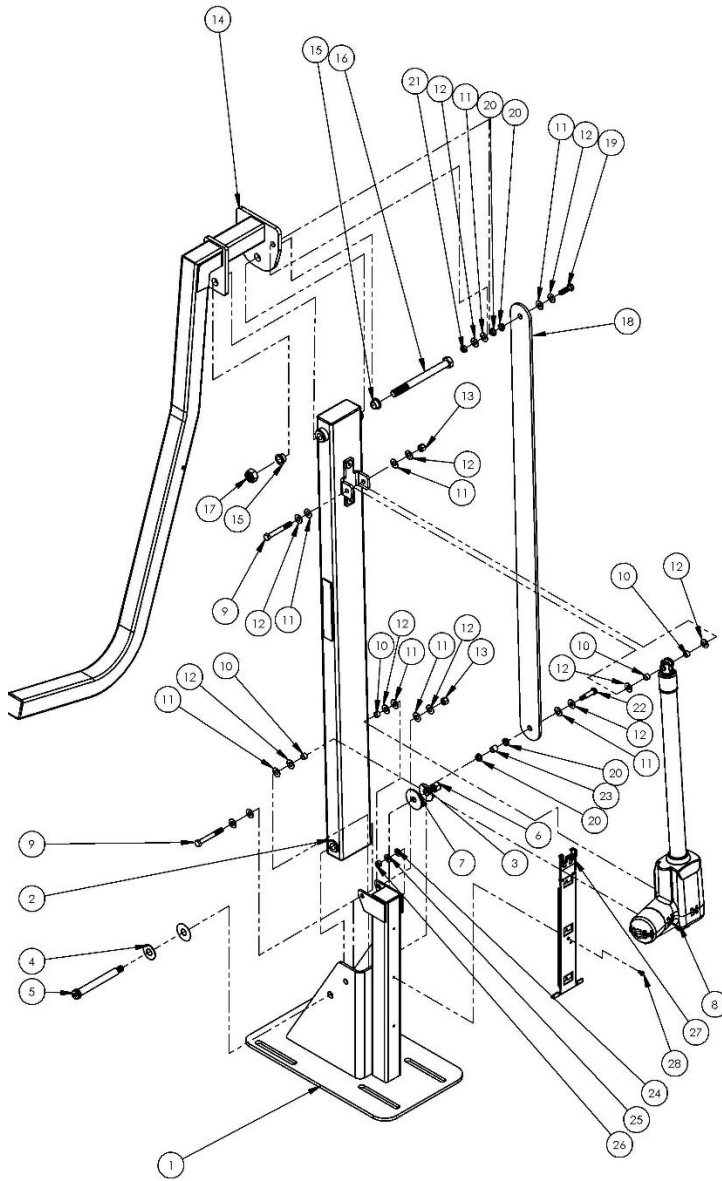
ITEM NO.	PART NUMBER	DESCRIPTION	QTY
1	300-6701	MULTILIFT NEW CONSTRUCTION ANCHOR JIG	1
2	800-0132	HEX NUT, 1'-8 GALVANIZED STEEL	8
3	900-6700	MULTILIFT FLUSH DECK ANCHOR	4

### **NEW CONSTRUCTION ANCHOR JIG**

WHEN ASSEMBLING THE FLUSH DECK ANCHORS TO THE NEW CONSTRUCTION JIG, MAKE SURE THAT THE DISTANCE BETWEEN THE TOP SURFACE OF THE JIG AND THE TOP OF EACH ANCHOR IS 2.5", AS SHOWN IN THE DIAGRAM ABOVE.

\* FLUSH DECK ANCHORS (300-6700) SOLD SEPARATE \*KIT NUMBER 300-6700A (QTY 4)

# APPENDIX C: MULTILIFT2 POOL LIFT (580-0000)



ITEM NO.	PART NUMBER	DESCRIPTION	QTY.
1	580-1000A	MULTILIFT2 BASE ASSEMBLY	1
2	580-1100A	WELDMENT, MAIN ARM ASSY	1
3	05-631	5/8" X 1-3/4" NYLON WASHER	2
4	800-0145	WASHER, 5/8"ID X 1 1/2" OD X 1/16" THICK, S/S	1
5	05-50-50-625SB	5/8 DIA SHOULD SCREW, 1/2-13 X 5.00 LONG 18-8 SS PREFERABLY 316SS	1
6	800-2003	1/2 - 13 LOCK NUT SS 18-8	1
7	05-14-133-MG	FLW, WIDE, B18.22.1	1
8	100-8000	ACTUATOR	1
9	05-375-3-MG	3/8"-16 X 3" HHS 316 SS	2
10	580-1320	SLEEVE - ACTUATOR CENTERING	4
11	05-32-111	3/8" NYLON PROTECTIVE WASHER	9
12	5-145-MG	3/8" X 7/8" FLAT WASHER 316 SS	11
13	800-2000	3/8-16 NYLOC NUT SS	2
14	580-1200A	LIFT SEAT INTERFACE	1
15	05-625-05-075FB	OIL-EMBEDDED BRONZE SLEEVE BEARING	2
16	05-625-7	5/8-11 X 7 LONG HEX BOLT 316SS	1
17	05-625-TLN-MG	316 Stainless Steel Extra-Wide Thin Nylon-Insert Locknut	1
18	580-1300A	SEAT LEVELING ASSEMBLY	1
19	05-375-125MG	3/8-16 X 1 1/4 LONG HEX BOLT 316SS	1
20	800-0102	FLG BSHG .375"ID X .5"OD X .25"LG	4
21	05-375-TLN-MG	3/8-16, 316 Stainless Steel Thin Nylon-Insert Locknut	1
22	05-3125-1625-375SB-MG	5/16-18 X 1-1/8 LONG, 3/8 SHOULDER SCREW,	1
23	05-375-05B	SLEEVE BEARING, NYLON 3/8 ID X 1/2 OD X 1/2 LONG	1
24	05-625	5/16" NYLON FLAT WASHER	1
25	5-303	5/16" I.D. x 3/4" O.D. FLAT WASHER, 316 SS	1
26	05-3125-LN-MG	5/16-18 NYLON LOCKNUT, 316SS	1
27	1001498	MOUNT PLATE ASSEMBLY	1
28	1001494	SCREW, #10-24 x 3/8" PAN HD TORX	1