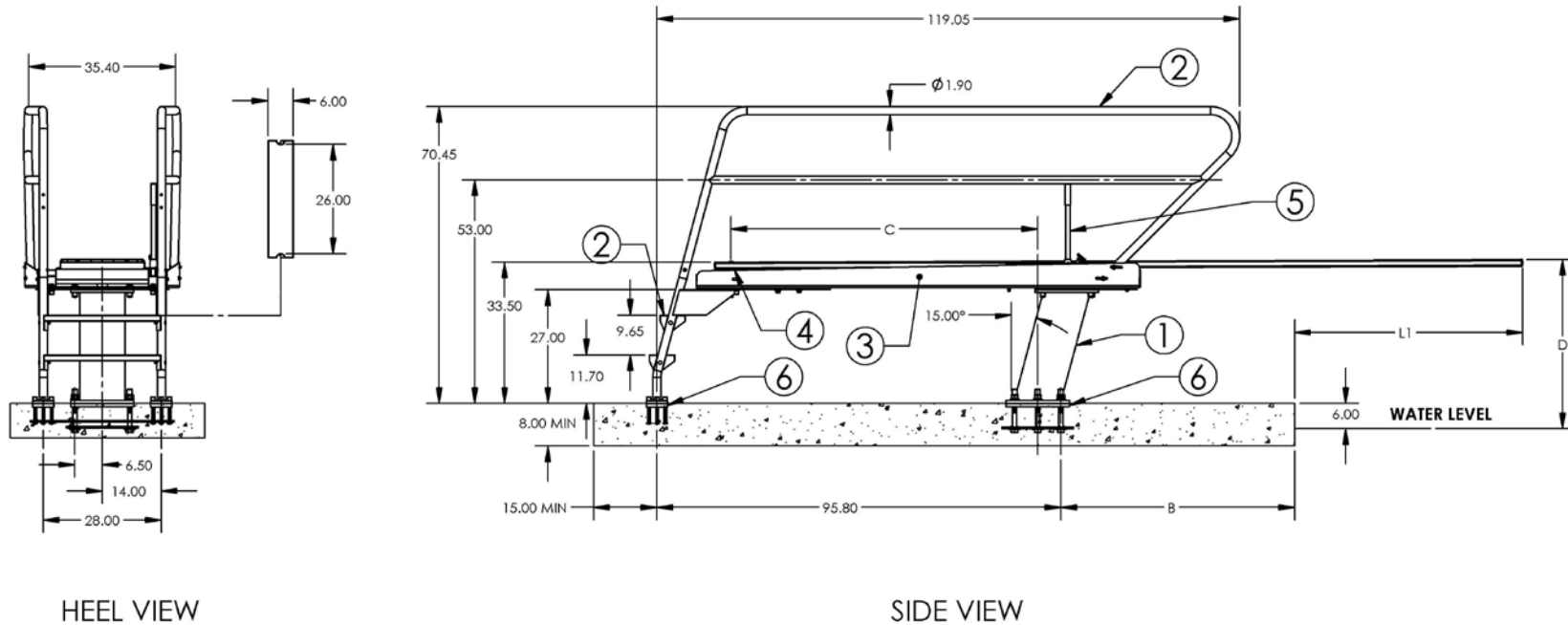


Deluxe 1-Meter Heel-Mount Diving Tower



HEEL VIEW

SIDE VIEW

ANSI/NSPI-1 1991 Standard for Public Swimming Pools

Diving Board A	Pool Type	Distance for Setting Front Bolt of Jig from Water's Edge B	Fulcrum Setting C (± 6")	Min. Overhang Overhead L ₁ (± 3")	Max. Height of Board Above Water Water HOW D
14'	VIII	36.25"	74"	4' 0"	39.375"
16'	VIII	60.25"	86"	4' 0"	39.375"
14'	IX	12.25"	74"	6' 0"	118.125"
16'	IX	36.25"	86"	6' 0"	118.125"

RECOMMENDED Compressive strength of concrete is 3500 psi or greater.
 MINIMUM width of concrete footing: 42"
 * ANSI/NSPI refers to Heel as Butt and Toe as Tip ends of board.
 ** WATER LEVEL MAY VARY. Adjust accordingly.

S.R. SMITH CANNOT GUARANTEE CUSTOMER'S CONCRETE OR THICKNESS.

NOTE:
 Diving boards (including spring boards, jump boards, and starting platforms) shall be installed only on pools meeting or exceeding the minimum requirements for the various pool types as outlined in the current edition of ANSI/NSPI-1 (for public Pools). In addition, all installations must meet or exceed applicable local codes with installation accomplished in accordance with S.R. SMITH written instructions.

Specification Number:	SRS-400	
Product Description:	Deluxe 1-Meter Heel-Mount Diving Tower	
S.R. Smith Part Number:	CAT-1M-203HA	Scale: NTS
Revision:	A	Date: 7/18/2023
Written By:	Z. Boyer	Date: 7/18/2023
Approved By:	M. Kaiel	Date: 7/18/2023
Page 1 of 2	Proprietary and confidential: The information contained in this specification is the sole property of S.R. Smith LLC. Any reproduction in part or whole without the written consent of S.R. Smith LLC is prohibited.	

S.R. Smith, LLC
 P.O. Box 400, 1017 SW Berg Parkway
 Canby, Oregon 97013
 Tel: (888) 677-7776 (503) 266-2231
 Fax: (503) 266-4334
 www.srsmith.com