



Underseat Thermal Pool Cover Reel

The S.R.Smith Underseat Reel serves double-duty as both a thermal pool cover reel and bleacher seating enabling you to make the most of your pool deck.

- **Storage and Seating In-One**

- › A discreet and durable design, the underseat reel is a one-of-a-kind reel system that enables facilities to conceal the pool cover while providing convenient stainless-steel seating for spectators.

- **Easy to Operate**

- › With minimal effort staff can easily convert and uncover the pool either manually or with automation using a simple remote.

- **Unexposed Engineering**

- › The automated model features a hidden motor within the tubing and only requires a standard power cord be plugged into a 110 outlet.

- **Unique Design**

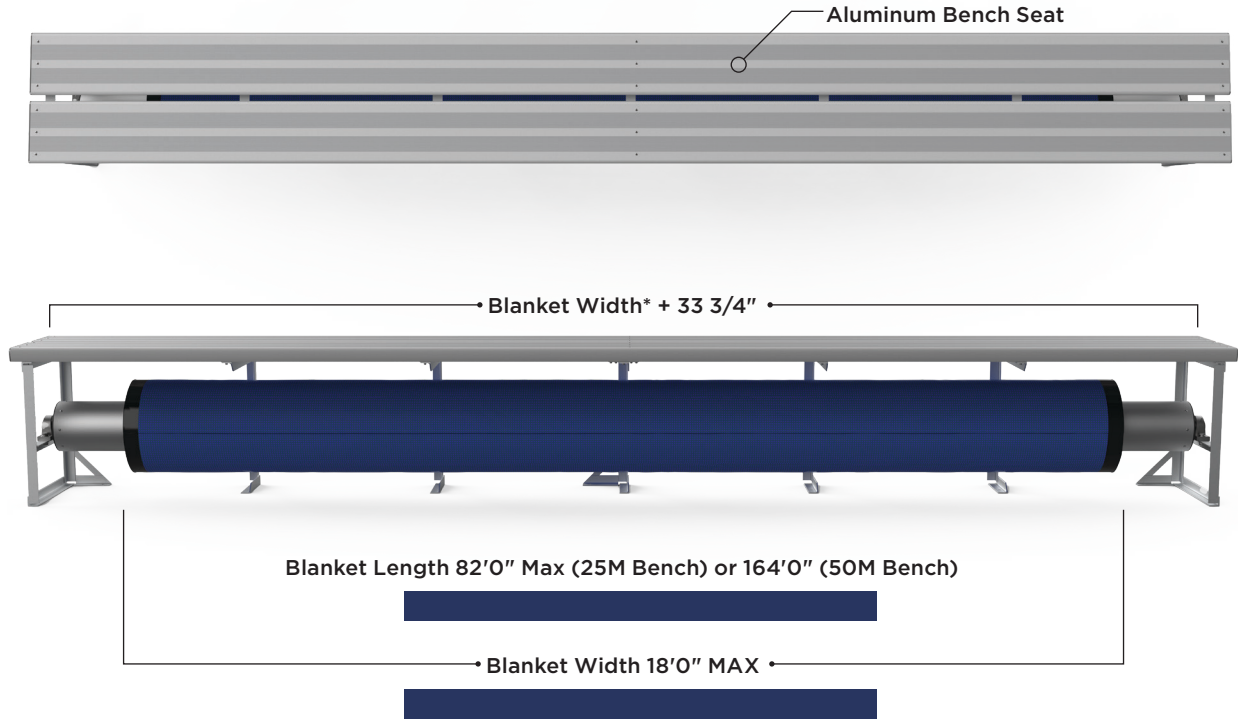
- › The only underseat reel on the market.



SPECIFICATIONS

- › Powder-coated stainless-steel frames with anodized aluminum bench planks
- › 316 stainless-steel hardware
- › 25-yard or 50-meter configurations (50m version manual reeling only)
- › Maximum cover width: 16'6"
- › Maximum cover length: 82' (automated) and 50m (manual)
- › Pillow block bearings for smooth operation
- › 3m long electrical cord for use with 120Vac 15A GFCI protected outlet (automated version)
- › One or five channel wireless remote controls (automated version)

PRODUCT DIMENSIONS (PER SECTION)



*Bench lengths will vary based on desired blanket dimensions

