

25m & 50m Bench Mounted Thermal Pool Cover Storage Reel

WARNING

FOR YOUR SAFETY – This product must be installed and serviced by a contractor who is licensed and qualified in pool equipment by the jurisdiction in which the product will be installed where such state or local requirements exist. The maintainer must be a professional with sufficient experience in pool equipment installation and maintenance so that all of the instructions in this manual can be followed exactly. Before installing this product, read and follow all warning notices and instructions that accompany this product. Failure to follow warning notices and instructions may result in property damage, personal injury, or death. Improper installation and/or operation may void the warranty.



Improper installation and/or operation can create unwanted electrical hazard which may cause serious injury, property damage, or death.

ATTENTION INSTALLER – This manual contains important information about the installation, operation and safe use of this product. This information should be given to the owner/operator of this equipment.

Table of Contents

Section 1. Important Safety Instructions..... 3

Section 2. Overview 4

Section 3. Installation..... 6

3.1 AR Bench Mounted Reel Install Guide..... 6

Section 4. Maintenance..... 7

4.1 Pool Cover Care 7

4.2 Placing the Cover Onto the Pool..... 7

4.3 Pulling the Cover Off of the Pool 7

Section 5. Specifications..... 8

5.1 25m Specification Sheet for Reference 8

5.2 50m Specification Sheet for Reference 9

Section 1. Important Safety Instructions

READ AND FOLLOW ALL INSTRUCTIONS

WARNING

Thermal Covers are not safety covers and will not support the weight of humans or animals. Do not attempt to walk on or swim under the cover.

WARNING

AVOID DROWNING RISK

- KEEP CHILDREN AWAY. CHILDREN OR OBJECTS CAN NOT BE SEEN UNDER COVER.
- THIS IS NOT A SAFETY COVER. KEEP OFF COVER. IT WILL NOT SUPPORT WEIGHT.
- REMOVE COVER(S) COMPLETELY BEFORE ENTRY OF BATHERS. ENTRAPMENT POSSIBLE.
- NON SECURED OR IMPROPERLY SECURED COVERS ARE A HAZARD.
- FAILURE TO FOLLOW ANY INSTRUCTIONS MAY RESULT IN INJURY OR DROWNING.

SAVE THESE INSTRUCTIONS

Section 2. Overview

1. It is important for the safety of everyone to follow these instructions. The Reel System is not intended for use by very young children or infirm people without supervision.
2. Young children should be supervised to ensure that they do not play with the reels.
3. Do not allow children to play with fixed controls.
4. Frequently examine the installation for imbalance and signs of wear of damage to cables.
5. Do not use if repairs are necessary to the frames or reel.
6. Never attach the cords to the blanket and then tie the other end off to a fixed object.
7. Broken blanket/reel attachment cords should be replaced immediately to prevent blanket creasing.

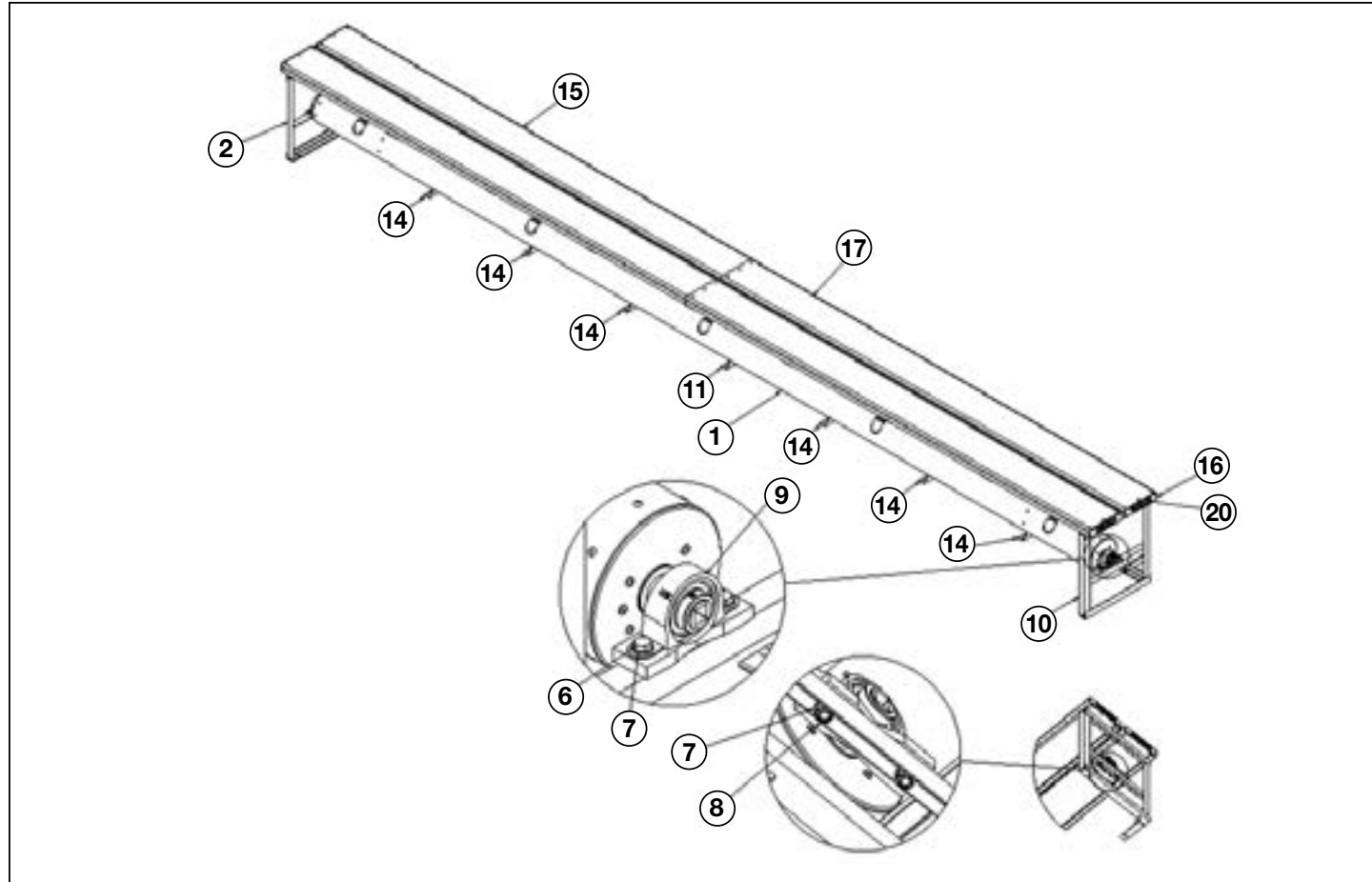


Figure 1. 25m Storage Reel

Item No	Description	Qty.
1	20'0" 25m Reel Assembly	1
2	Left End Frame 25m Standard	1
3	Aluminum Block Spacer 40mm	32
4	M6 x 25, 316SS Socket Head Screw	48
5	M6 Nyloc Nut 316SS	48
6	Bolt, M12 x 40mm, Hex Head	4
7	M12 Flat Washer, XXX 125 316SS, 13mm ID x 24mm OD x 2.5mm THK	8
8	Nut - M12 - Nyloc (316)	4
9	SP207 Bearing Housing with 35mm Stainless Bearing	2

Item No	Description	Qty.
10	Right End Frame 25m Standard	1
11	25m Plank Joiner Frame	1
12	Aluminum Block Spacer 120mm	4
13	M6 x 12, 316SS Socket Head Screw	4
14	25m Intermediate Support Frame	4
15	Left Bench Plank, 20'0" Reel	2
16	Seating Plank End Cap	4
17	Right Bench Plank, 20'0" Reel	2
18	Aluminum Joiner Plate	2
19	3/16 Blind Rivet, 3/8-1/2 Grip, Monel	18
20	End Cap Label	4

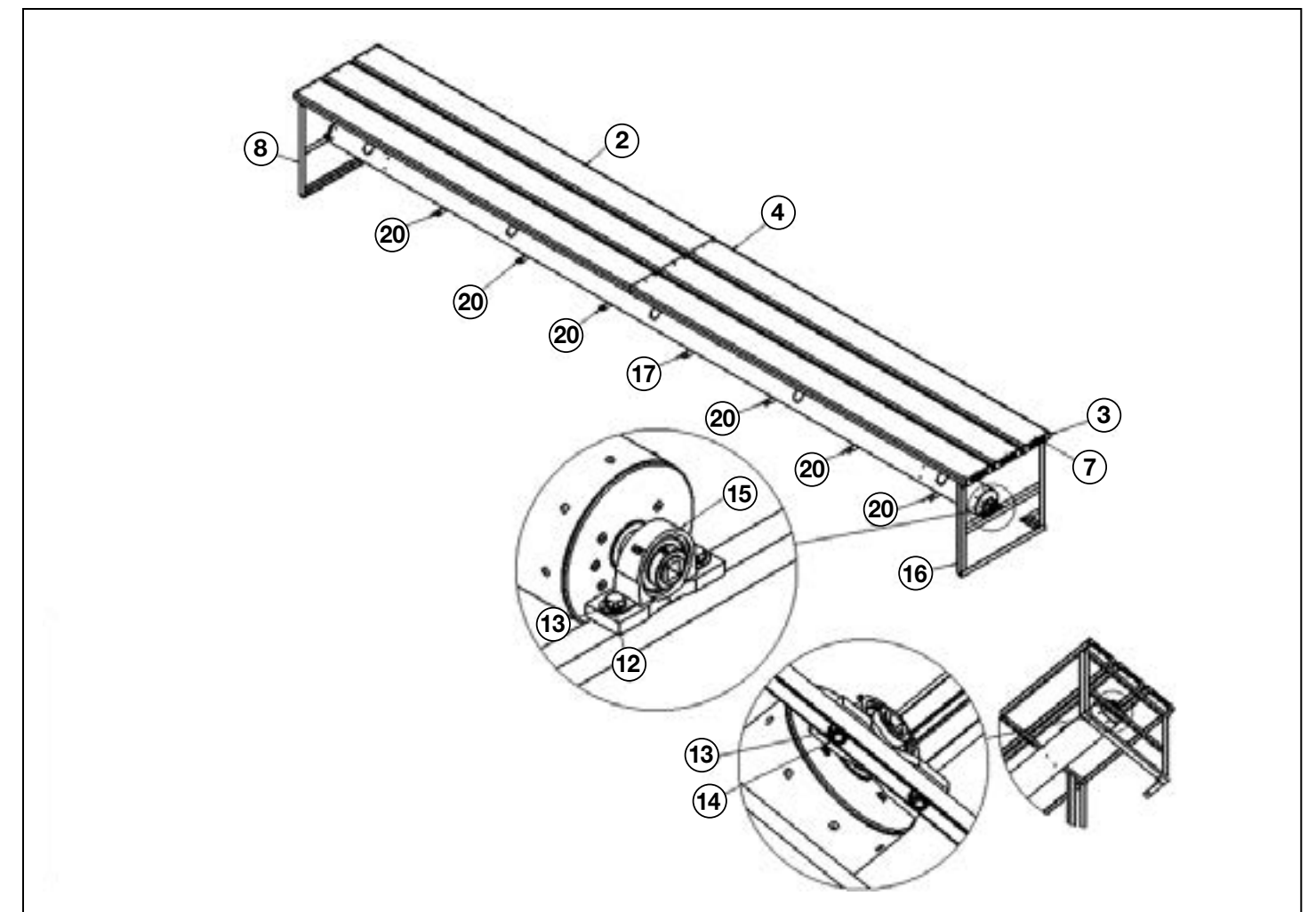


Figure 2. 50m Storage Reel

Item No	Description	Qty.
1	50m Roller Assembly	1
2	Left Bench Plank, 20'0" Reel	3
3	Seating Plank End Cap	6
4	Right Bench Plank, 20'0" Reel	3
5	Aluminum Joiner Plate	3
6	3/16 Blind Rivet, 3/8-1/2 Grip, Monel	27
7	End Cap Label	6
8	Left End Frame, 50m Bench Roller	1
9	Aluminum Block Spacer 40mm	48
10	M6 x 25, 316SS Socket Head Screw	72
11	M6 Nyloc Nut, 316SS	72

Item No	Description	Qty.
12	Bolt, M12 x 40mm, Hex Head	4
13	M12 Flat Washer, DIN 125, 316SS, 13mm ID 24mm OD x 2.5mm THK	8
14	Nut - M12 - Nyloc (316)	4
15	SP207 Bearing Housing with 35mm Stainless Bearing	2
16	Right End Frame, 50m Bench Roller	1
17	Plank Joiner Frame, 50m Bench Roller	1
18	Aluminum Block Spacer 120mm	6
19	M6 x 12, 316SS Socket Head Screw	6
20	Intermediate Frame, 50m Bench Roller	6

Section 3. Installation

3.1 AR Bench Mounted Reel Install Guide

1. Remove the bench from the shipping crate.
2. Put the covers onto the pool with the safety warnings facing upward onto the water.
3. Align the centerline of the reel with the centerline of the pool cover.
4. Make the bench parallel to the pool edge by equalizing the distance from the bench end frames to the pool edge.
5. Transfer the mounting hole locations at the base of the bench frames onto the pool deck.
6. Move the bench out of the way.
7. Drill 3-1/2" deep holes in the pool deck using a 1/2" diameter masonry drill bit at each location.
8. The Epoxy shall be Simpson Set-XP Epoxy Adhesive by Simpson Strong-Tie Company, Inc.

9. Clean and prepare the drilled holes per the instructions included with the Simpson Strong-Tie epoxy materials.
10. Installation of anchors (3/8-16 x 6" threaded rod) shall be done in conformance with procedures set forth by Simpson Strong-Tie that are included with the epoxy materials.
11. Move the bench over the anchors to hold the anchors in place and allow the epoxy to cure for 72 hours.
12. After letting the epoxy cure for 72 hours, lift the bench back off of the anchors. Then apply anti-seize to the threads of the anchors, thread one 3/8-16 nut onto each anchor, then place a flat washer over each nut. See Figure 2.
13. Place the bench back onto the anchors, the frames will rest on the flat washers that were installed in Step 12. See Figure 3.

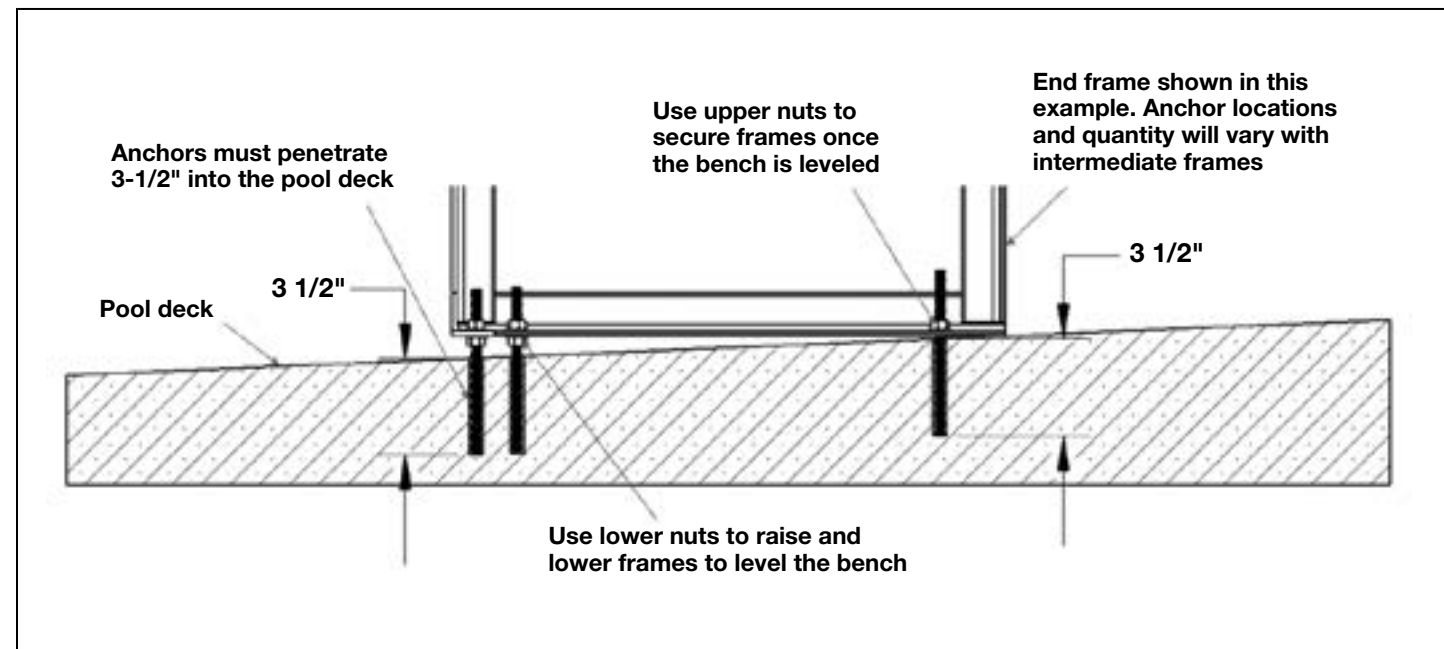


Figure 3.

14. Level the bench by raising or lowering the nuts that were installed in Step 12. See Figure 3.
15. Place another flat washer on the anchor and slide it down until the washer rests on the bench frame. Then thread on another 3/8-16 nut and tighten the nuts. See Figure 3.
16. Install Equipotential bonding by an electrical contractor per NEC and local codes if required.
17. Have a three-blade plug (NEMA 5-15 TYP), wired by an electrical contractor, plug in, turn on power and check remote. Note the remote will come with a short limit setting.
18. Attach the pool cover to the reel by placing the dowel attached to cover through the loop of rope that is attached to the reel, reference Figure 4.

19. Using the Hand Crank, wind the cover on to the reel.



Figure 4.

Section 4. Maintenance

4.1 Pool Cover Care

1. Do not allow covers to crease when loading them onto reels. Creases are extremely hard to remove once engrained makes cover handling more difficult.
2. Always replace broken reel attachment cords. The absence of cords can promote creasing. Replacement cords are available from S.R. Smith.
3. Do not administer concentrated chemicals (e.g. chlorine) next to or on covers. Doing so may cause damage to the cover.
4. Lane ropes can remain in the pool while covers are in use but will lead to some level of wear on the covers. However broken lane rope segments can damage the cover.

4.2 Placing the Cover Onto the Pool

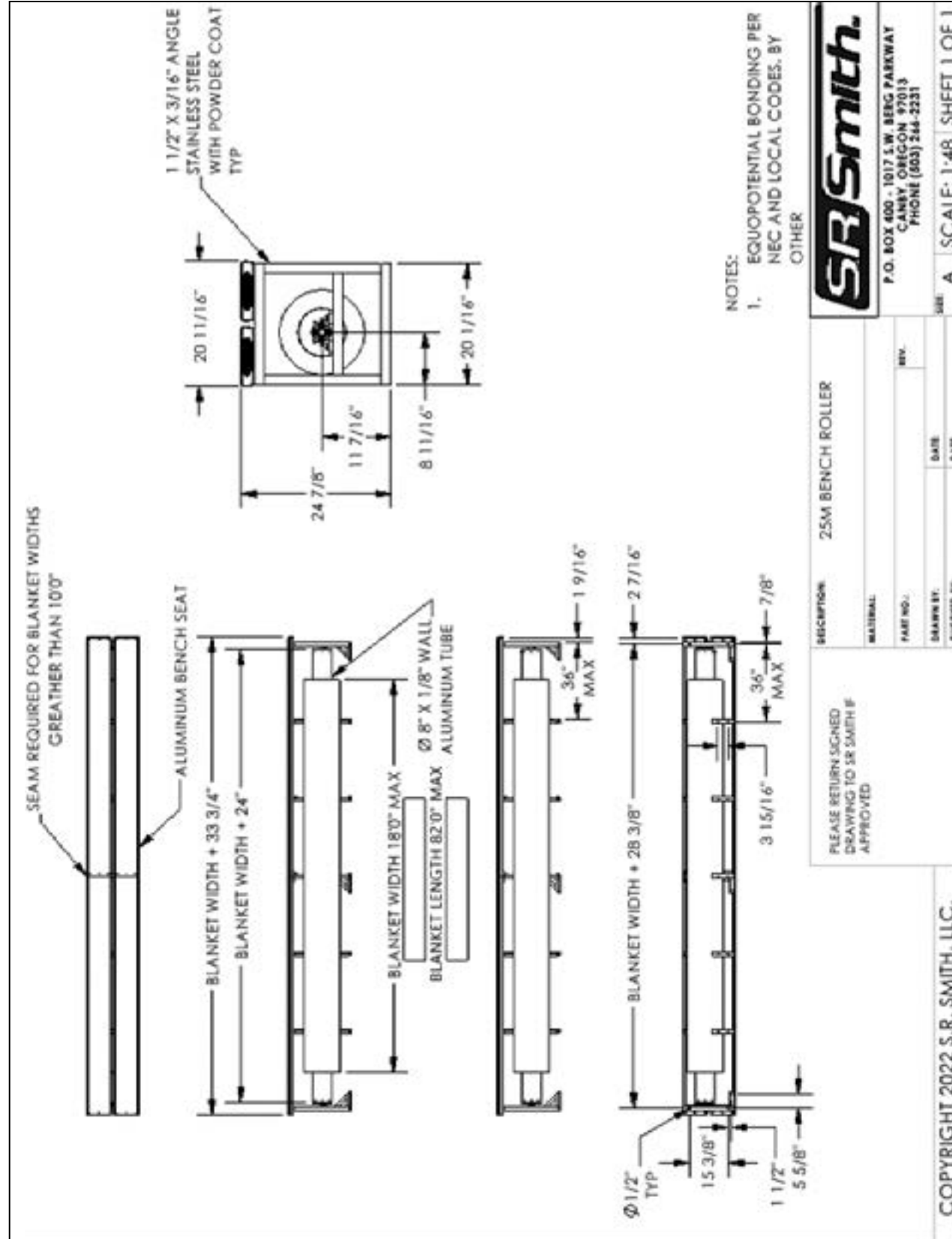
1. Remove hand crank from reel.
2. Walk the pull cord to the opposite end of the pool.
3. Position yourself so that you are looking at the reel and have the pull cord in your hand.
4. Pull on the pull cord to shed the cover from the reel and move the cover across the pool. Ensure that the pool cover corners are folded and does not catch on any obstacles.
5. When the cover is shed from the reel, detach the cover from the reel and finish pulling the cover across the pool.
6. Repeat this process with the next reel.

4.3 Pulling the Cover Off of the Pool

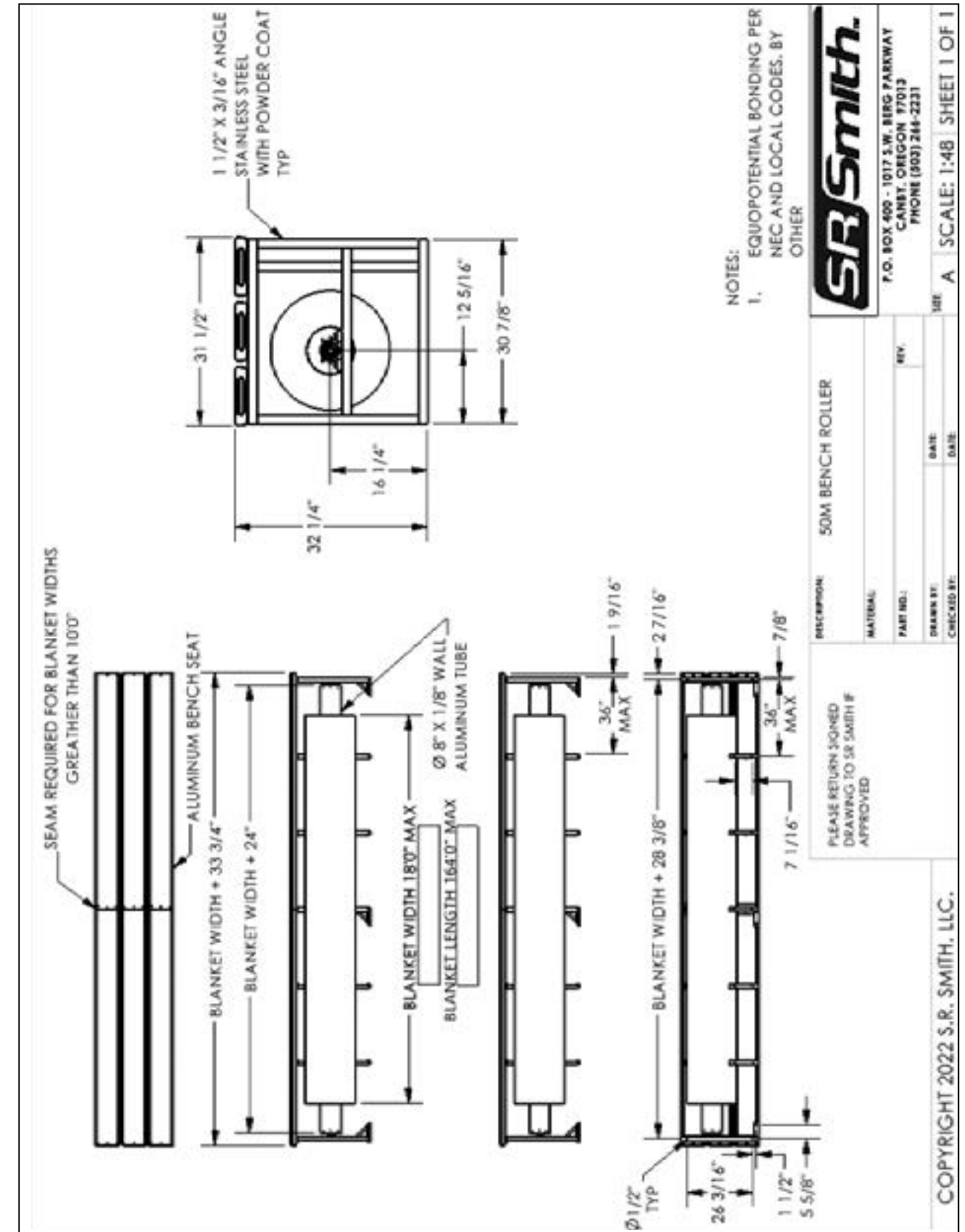
1. Attach the cover to the reel.
2. Insert the hand crank into either end of the reel.
3. Use the crank to rotate the reel in the direction that pulls the cover over the top of the reel.
4. Continue rotating the reel until the cover is completely rolled up on the reel.

Section 5. Specifications

5.1 25m Specification Sheet for Reference



5.2 50m Specification Sheet for Reference



NOTES

NOTES

SR Smith LLC

1017 SW Berg Parkway
Canby, OR 97013, USA
srsmith.com | 1.800.822.7933

A Fluidra Brand

©2023 S.R. Smith LLC. All rights reserved. All trademarks are the property of their respective owners.