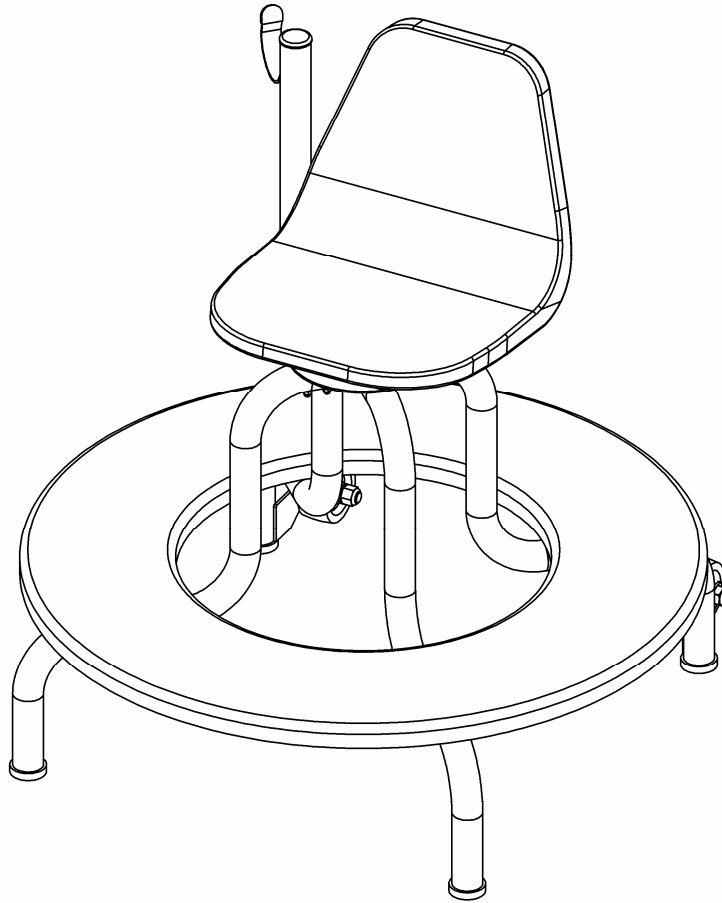




## O-SERIES 30" LIFEGUARD STAND

### ASSEMBLY INSTRUCTIONS



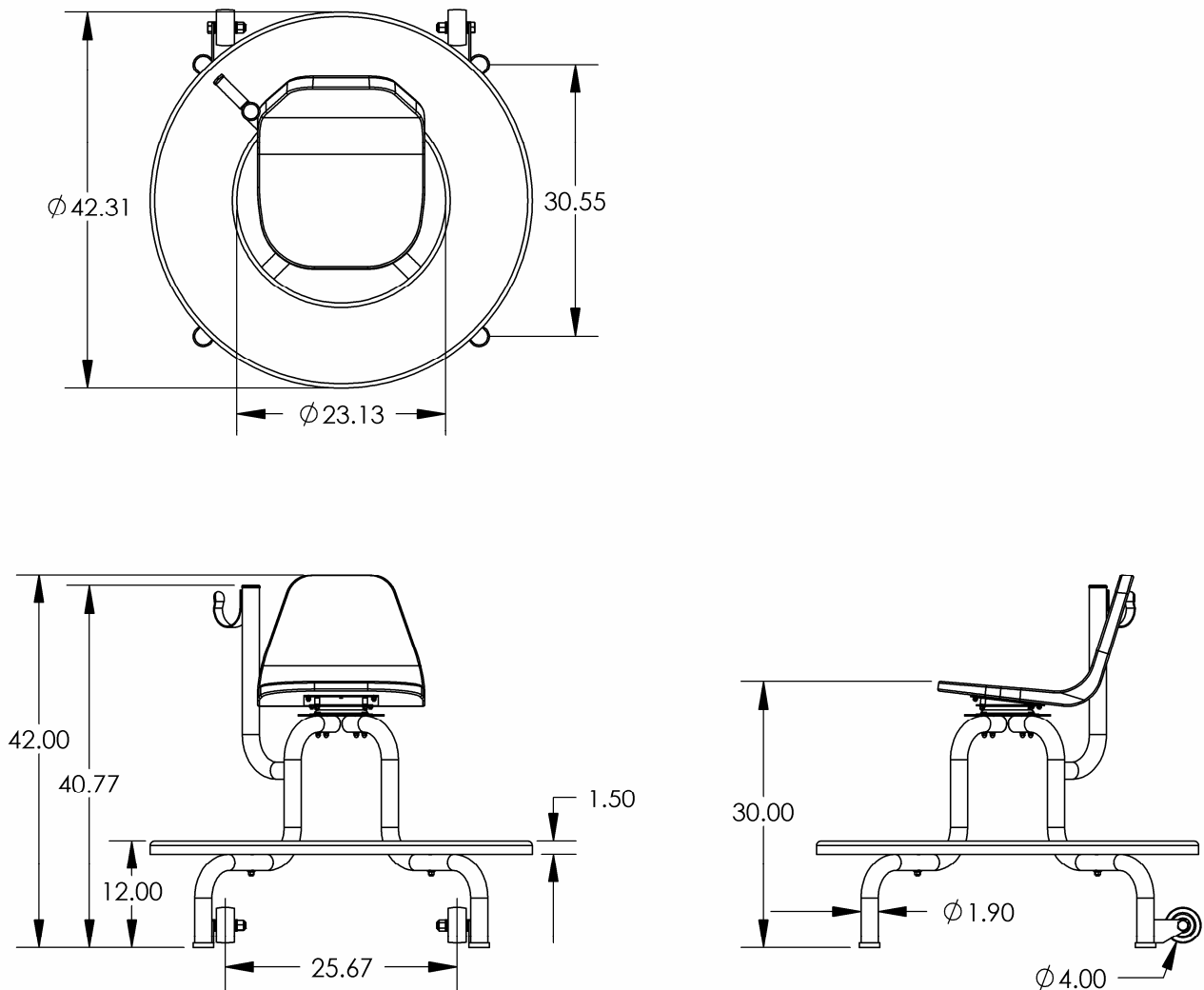
**CORPORATE HEADQUARTERS  
WESTERN SALES AND MANUFACTURING PLANT  
P.O. Box 400 • 1017 SW Berg Parkway  
Canby, Oregon 97013  
(503) 266-2231 • Fax (503) 266-4334  
[www.srsmith.com](http://www.srsmith.com)**

## INTRODUCTION

The O-Series 30" Lifeguard Stand is designed for use on competitive or municipal pools. Proper placement and maintenance are essential for proper use and to reduce the risk of accident or injury.

### **\*\*IMPORTANT\*\***

Check entire box and inside all packing materials for parts. Before beginning assembly, read the instructions and identify parts using the figures and parts listed in this document. It is critical that all parts be carefully inspected by the assembler prior to assembly to ensure that no damage occurred in transit and that a damaged part is not used. Proper assembly cannot be overstressed, as an improper assembly voids S.R. Smith's warranty and may affect the safety of the user.



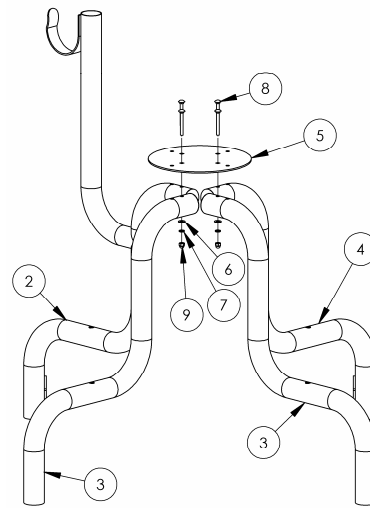
**FIGURE 1**

## INSTITUTIONAL LIFEGUARD CHAIR PARTS LIST

ITEM NO.	QTY.	PART NO.	DESCRIPTION
1	1	8-708	42" DIA. FOOTBOARD
2	1	LGC-1001-1	O1 LEG ASSEMBLY 1
3	2	LGC-1001-2	O1 LEG ASSEMBLY 2
4	1	LGC-1001-3	O1 LEG ASSEMBLY 3
5	2	4-117	UPPER FRAME PLATE
6	20	5-143	1/4" FLAT WASHER S/S
7	16	5-149	1/4" LOCK WASHER, SPLIT, S/S
8	4	5-155	1/4"-20 X 2-1/4" CARRIAGE BOLT S/S
9	8	5-193	1/4"-20 ACORN NUT S/S
10	1	8-100	S/S FLAT SWIVEL, LIFEGUARD CHAIR
11	4	5-148	1/4"-20 X 2-1/2" HEX HEAD CAP SCREW S/S
12	1	4-108	S/S SWIVEL PLATE 8-1/4" X 8-1/4" X 1/8"
13	2	5-102	1/4"-20 X 1-1/2" HEX HEAD CAP SCREW S/S
14	2	2-129-1	SEAT MOUNT STANDOFF
15	8	5-137	1/4"-20 HEX NUT S/S
16	2	5-157	1/4"-20 X 3/4" HEX HEAD CAP SCREW S/S
17	1	8-609	LIFEGUARD SEAT
18	4	WRB-100A	WHITE RUBBER BUMPER 1.9" MALE
19	4	5-144	3/4" FLAT WASHER S/S
20	2	8-522	WHEEL 4" X 2" POLYPROPYLENE BLACK
21	2	5-199	3/4"-10 X 3-3/4" HEX HEAD CAP SCREW S/S
22	2	5-153	3/4"-10 LOCK NUT S/S
23	4	5-145	3/8" FLAT WASHER S/S
24	4	5-151	3/8" LOCK WASHER, SPLIT, S/S
25	4	5-139	3/8"-16 HEX NUT S/S
26	4	8-104	PLASTIC RAIL END PLUG
27	1	05-637	BLACK PLASTIC CAP

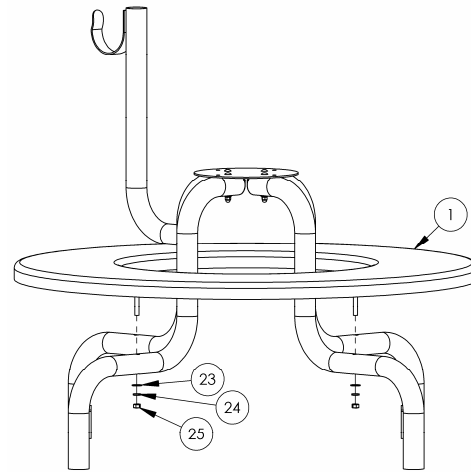
## ASSEMBLY INSTRUCTIONS

- Align the four leg tubes (**items 2, 3, & 4**) with the upper frame plate (**item 5**) as shown in **Figure 2**. Fasten the upper frame plate to the leg tubes with four 1/4"-20 x 2-1/4" carriage bolts (**item 8**), flat washers (**item 6**), lock washers (**item 7**), and acorn nuts (**item 9**). Hand tighten only.



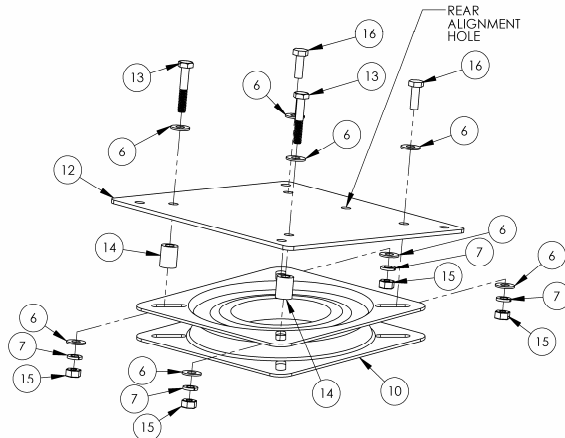
**FIGURE 2**

- Install the 42" diameter footboard (**item 1**) on the four leg tubes as shown in **Figure 3**. Fasten the footboard to the legs with four 3/8" flat washers (**item 23**), four 3/8" lock washers (**item 24**), and four 3/8"-16 hex nuts (**item 25**). Hand tighten only.



**FIGURE 3**

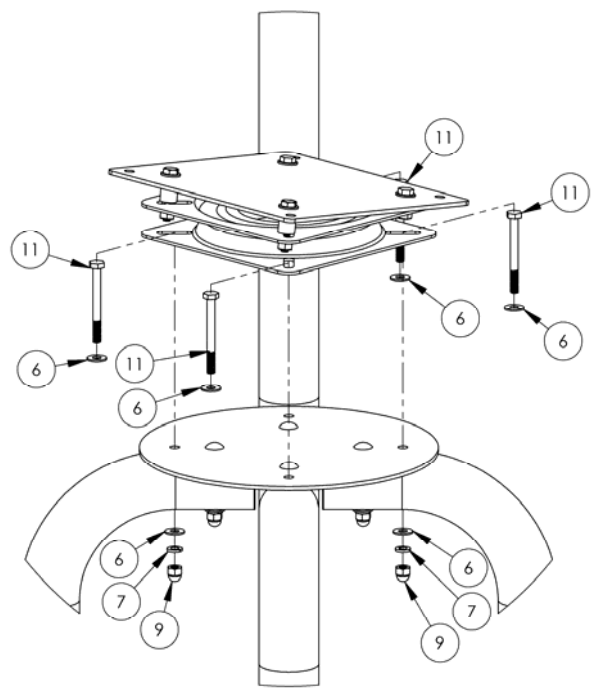
- Assemble the swivel plate (**item 12**) on the swivel (**item 10**) as shown in **Figure 4**. Note the orientation of the swivel plate and install the seat mount standoffs (**item 14**) on the front holes of the swivel plate. Fasten the plate to the swivel at the front with two 1/4"-20 x 1-1/2" hex head cap screws (**item 13**), four 1/4" flat washers (**item 6**), two 1/4" lock washers (**item 7**), and two 1/4"-20 hex nuts (**item 15**). Fasten the plate to the swivel at the rear with two 1/4"-20 x 3/4" hex head cap screws (**item 16**), four 1/4" flat washers (**item 6**), two 1/4" lock washers (**item 7**), and two 1/4"-20 hex nuts (**item 15**). Tighten all hardware securely.



**FIGURE 4**

4. Install the swivel/plate assembly onto the upper frame plate as shown in **Figure 5**. Secure it with four 1/4"-20 x 2-1/2" hex head cap screws (**item 11**), eight 1/4" flat washers (**item 6**), four 1/4" lock washers (**item 7**), and four 1/4"-20 acorn nuts (**item 9**). Tighten all hardware securely.

**Caution: over tightening of hardware may result in damage to the frame tubes and could prevent secure assembly of the lifeguard chair.**



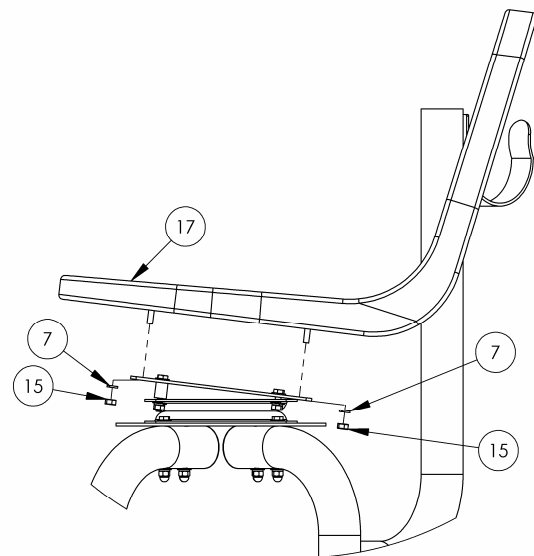
**FIGURE 5**

5. Return to the hardware installed in Steps 1 and 2 and tighten securely.

**Caution: over tightening of hardware may result in damage to the frame tubes and could prevent secure assembly of the lifeguard chair.**

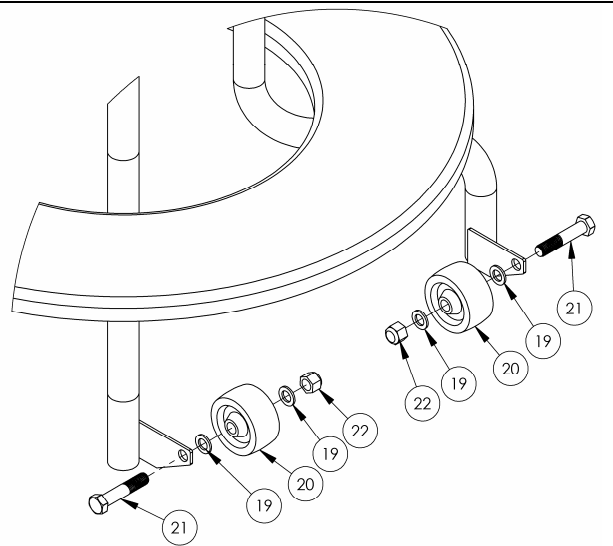
6. Install the lifeguard seat (**item 17**) on the swivel plate as shown in **Figure 6**. Secure it with four 1/4" lock washers (**item 7**) and four 1/4"-20 hex nuts (**item 15**). Tighten all hardware securely.

**Caution: over tightening of hardware may result in damage to the lifeguard seat and could cause injury to the user.**



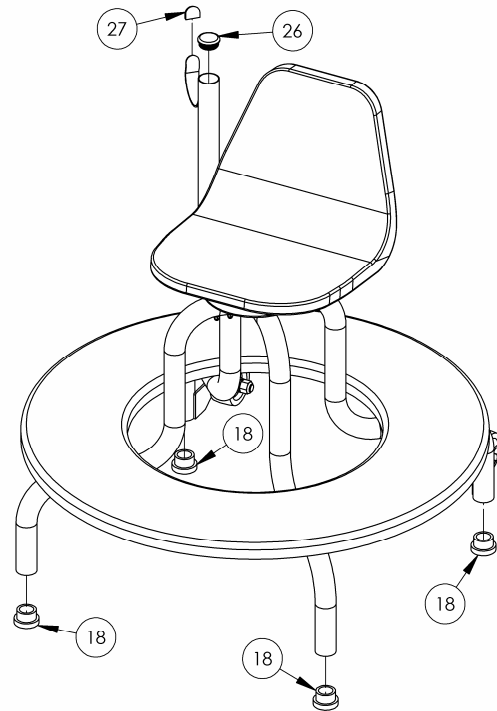
**FIGURE 6**

7. Install the wheels (**item 20**) on the frame wheel brackets on the leg tubes (**items 2 & 4**). Use one 3/4"-10 X 3-3/4" hex head cap screw (**item 21**), two 3/4" flat washers (**item 19**), and one 3/4"-10 lock nut (**item 22**) for each wheel as shown in **Figure 7**.



**FIGURE 7**

8. Insert the black plastic cap (**item 27**) on the life ring hook as shown in **Figure 8**. Insert a white rubber bumper (**item 18**) into the end of each leg tube as shown in **Figure 8**. If no umbrella is to be used with the chair, insert the plastic rail end plug (**item 26**) into the end of the umbrella/leg tube as shown.



**FIGURE 8**

### **SAFETY & MAINTENANCE INSTRUCTIONS**

- Periodically inspect the 30" O-Series Lifeguard Stand to assure there are no worn parts and that all hardware is properly tightened.
- All stainless steel parts require periodic maintenance. Polishing with a cotton cloth and a Windex-type product maintains the finish and restores luster.
- Use non-abrasive soap and water. Avoid harsh chemicals and disinfectants. Always read the label instructions on any cleaner carefully before applying it to a surface.