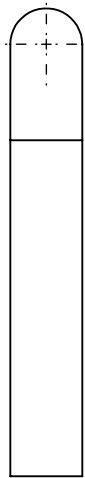
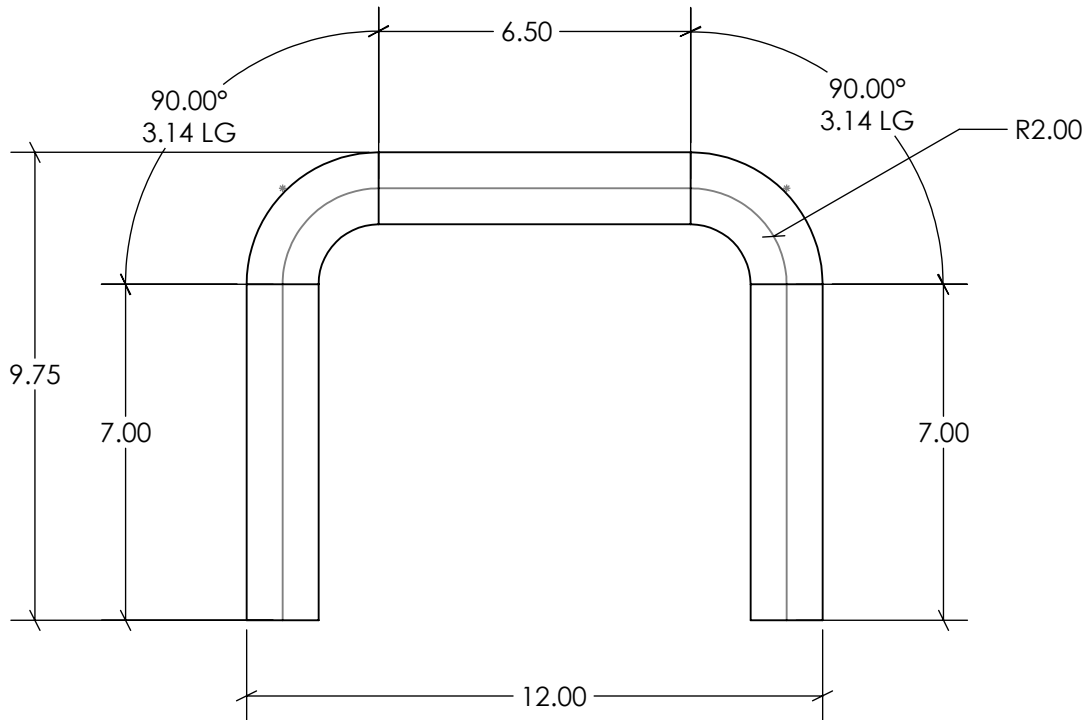
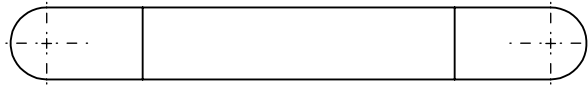


REVISIONS			
REV.	DESCRIPTION	DATE	ECN



TUBING LENGTH: 26.78"

UNLESS OTHERWISE SPECIFIED  
DIMENSIONS ARE IN INCHES,  
TOLERANCES ARE:  
FRACTIONAL: .....  $\pm 1/16$   
ANGULAR: .....  $\pm 1^\circ$   
TWO PLACE DECIMAL: ....  $\pm .06$   
THREE PLACE DECIMAL: ..  $\pm .031$

DESCRIPTION:

14" BENT TRANSFER RAIL  
W/OUT FLANGES

MATERIAL:

1.50" O.D. x .120 WALL (316L) S/S

PART NO.: EB-14B

REV. A

DRAWN BY: DTJ

DATE: 6/23/12

CHECKED BY:

DATE:



P.O. BOX 400 - 1017 S.W. BERG PARKWAY  
CANBY, OREGON 97013  
PHONE (503) 266-2231