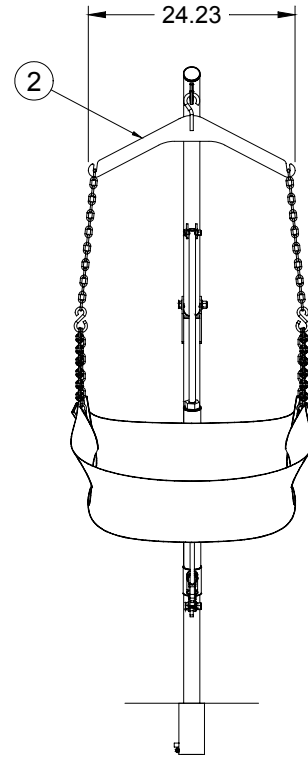
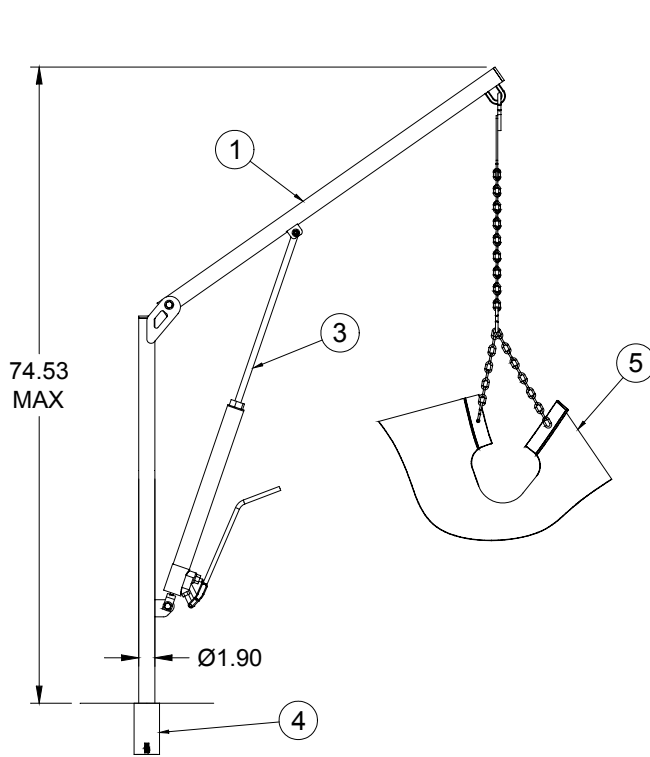
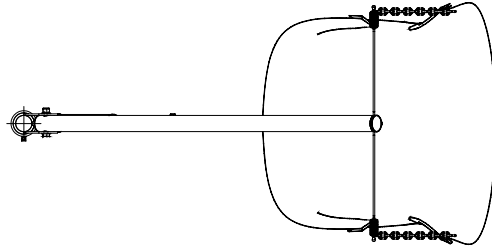


**Handy Lift**



Specification Number:	<b>SRS-1200</b>		
Product Description:	<b>Handy Lift</b>		
S.R. Smith Part Number:	<b>HYDL-100</b>	Scale:	NTS
Revision:	A	Date:	03/30/04
Written By:	J. Pilon	Date:	03/30/04
Approved By:		Date:	03/30/04
Page 1 of 1	Proprietary and confidential: The information contained in this specification is the sole property of S.R. Smith LLC. Any reproduction in part or whole without the written consent of S.R. Smith LLC is prohibited.		

**S.R. Smith, LLC**  
P.O. Box 400, 1017 SW Berg Parkway  
Canby, Oregon 97013  
Tel: (888) 677-7776 (503) 266-2231  
Fax: (503) 266-4334  
[www.srsmith.com](http://www.srsmith.com)

# Product Specifications - Written

**Product Name:** Handy Lift

**Part Number:** HDYL-100

**General Notes:**

The **Handy Lift** is a manual access human lift designed for the commercial or residential pool or spa facility with only occasional need for handicap pool access. The lift is constructed of heavy-duty corrosion resistant stainless steel and has full 360° rotation, 55-1/2” vertical lifting and lowering range, and a 400 lb. (181.5kg.) rated load. Its chair sling is vertically adjustable for varying applications. The entire unit is portable and removes from its anchor socket without the use of tools. Additional anchors may be placed in alternate locations, and the lift may be easily relocated to suit. All hardware is stainless steel for corrosion resistance.

**Application:**

Depending upon installation design and local codes, this model is suitable for use on institutional and residential pools and spa’s. Additional purchase of anchors allow for use in multiple locations.

**Specifications:**

- 1 **Mast and Boom Assemblies** (p/n 20-111, p/n 20-113): The mast and boom assemblies are constructed of 1.90” O.D. x .145” wall (48.25mm x 3.68), type 304 polished stainless steel, and is electro polished for protection. The hinge support bracket and the actuator support are both made from stainless steel plate and are also electro polished.
- 2 **Hanger Assembly** (p/n 20-114): The hanger bar, chain, and hook are all made from 316 series stainless steel and the hanger bar is electro polished.
- 3 **Hydraulic Actuator** (p/n 60-801): The Handy Lift hydraulic actuator has a 19” (482.6mm) stroke and has a nitrite coating for endurance. The easy cranking handle has a rubber grip for a comfortable grasp.
- 4 **Anchor Assembly:** (p/n 27-101, see spec sheet SRS-919) This single post anchor assembly is specially designed to prevent wear and allow for easy rotation. The assembly consists of a housing constructed of stainless steel with a UHMW replaceable liner. The anchor comes with a stainless steel grounding screw for bonding. A stainless steel cap is provided to mount flush on the deck when the platform is removed and an Anchor Tool (p/n 5-215-1) is provided for cap removal.
- 5 **Chair Sling** (p/n 8-611): Made of heavy-duty polyester with a 1/4” mesh, canvas-type material to provide for water drainage. It is secured to the boom assembly with a 316 series stainless steel chain.

**Shipping weight:** 59 lbs.

Specification Number:	SRS-1200	
Product Description:	Handy Lift	
S.R. Smith Part Number:	HDYL-100	
Revision:	A	Date: 03/30/04
Written By:	J. Pilon	Date: 03/30/04
Approved By:	B. Bisceglia	Date: 03/30/04
Page 2 of 2	Proprietary and confidential: The information contained in this specification is the sole property of S.R. Smith LLC. Any reproduction in part or whole without the written consent of S.R. Smith LLC is prohibited.	

**S.R. Smith, LLC**  
P.O. Box 400, 1017 SW Berg Parkway  
Canby, Oregon 97013  
Tel: (888) 677-7776 (503) 266-2231  
Fax: (503) 266-4334  
www.srsmith.com