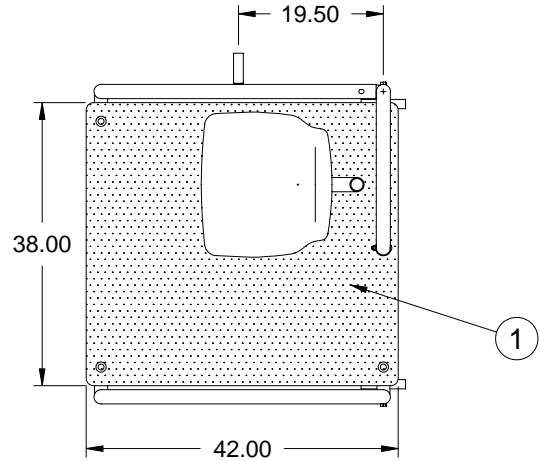
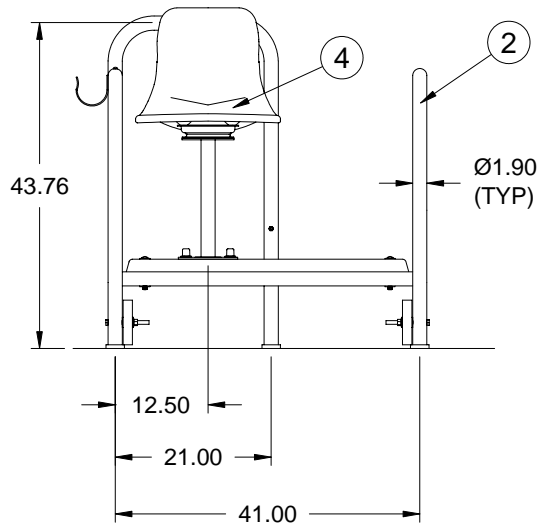


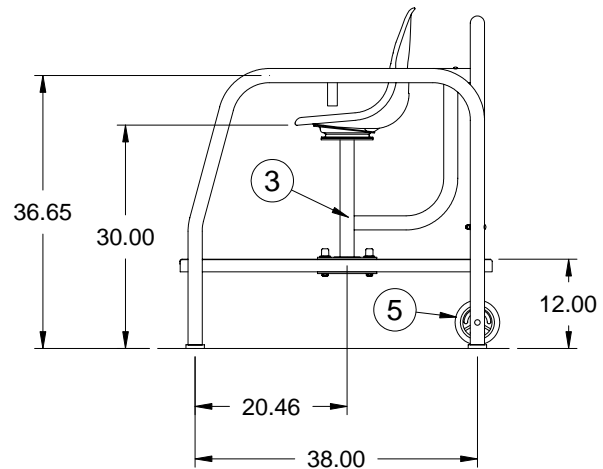
30 Inch Low Profile Lifeguard Stand



TOP VIEW



FRONT VIEW



SIDE VIEW

Specification Number:	SRS-100	
Product Description:	30 Inch Low Profile Lifeguard Stand	
S.R. Smith Part Number:	LPLS-330	Scale: NTS
Revision:	B	Date: 01/28/04
Written By:	T. Weil	Date: 05/07/03
Approved By:	B. Bisceglia	Date: 05/07/03
Page 1 of 2	Proprietary and confidential: The information contained in this specification is the sole property of S.R. Smith LLC. Any reproduction in part or whole without the written consent of S.R. Smith LLC is prohibited.	

S.R. Smith, LLC
P.O. Box 400, 1017 SW Berg Parkway
Canby, Oregon 97013
Tel: (888) 677-7776 (503) 266-2231
Fax: (503) 266-4334
www.srsmith.com



S.R. Smith LLC Commercial Division

Product Specifications - Written

Product Name: 30" Low Profile Lifeguard Stand

Part Number: LPLS-330

General Notes:

The **30" Low Profile Lifeguard Stand** is a short lifeguard chair with a large platform (footboard) and umbrella support. It is intended for temporary, semi-permanent, and permanent sites.

Application:

Depending upon installation design, local codes, and site requirements, this model is generally suitable for use on both commercial and competition pools. In addition, these stands may also have applications at water slides, amusement parks, and water parks and at sporting sites as judging stands or at other sites where portability is required or where permanent installation is not required.

Specifications:

- 1 **Footboard:** The observation platform (footboard) of the Low Profile Lifeguard Stand measures 1-5/8" x 38 x 42 (15.86mm x 965.2 x 1066.8) and is a solid laminated fir core covered with fiberglass reinforced acrylic. The top surface is a non-skid sanded tread.
- 2 **Frame:** The frame is constructed of polished, 1.90" O.D. x .065 wall (48.25mm x 1.65) type 304 stainless steel. The frame consists of five legs and a platform support interlocked together. All bends have a nominal bend radius of 6" (152.4mm). Each of the five legs utilizes a blue rubber bumper to protect the deck. The stand is equipped with a rescue tube holder.
- 3 **Swivel Stand w/ Umbrella Holder:** The base column of the swivel stand assembly is constructed of 1.90" O.D. x .065" wall (48.25mm x 1.65) type 304 stainless steel. At the lower end of the column is affixed a .25" (6.4mm) stainless steel plate which serves as a mounting flange. This flange is attached in tandem with the observation platform (footboard) to the platform supports. A 1.90" O.D. x .065 wall (48.25mm x 1.65) type 304 stainless steel tube is bent and affixed to the rear of the seat base column and serves as an umbrella holder.
- 4 **Seat w/ Swivel:** A special swivel mechanism is attached to the upper end of the swivel stand base column to allow for a 360° rotation of the contoured, low-side fiberglass seat.
- 5 **Wheel:** 6" dia. x 2" wide (152.4 mm x 50.8) rubber wheels with cast iron core are attached to the frame to facilitate moving of the lifeguard stand when needed.

Additional Product Numbers: N/A

Shipping Weight: 85 lbs (38.6kg)

Specification Number:	SRS-100		S.R. Smith, LLC P.O. Box 400, 1017 SW Berg Parkway Canby, Oregon 97013 Tel: (888) 677-7776 (503) 266-2231 Fax: (503) 266-4334 www.srsmith.com
Product Description:	30" Low Profile Lifeguard Stand		
S.R. Smith Part Number:	LPLS-330		
Revision:	B	Date: 01/28/04	
Written By:	T. Weil	Date: 05/07/03	
Approved By:	B. Bisceglia	Date: 05/08/03	
Page 2 of 2	Proprietary and confidential: The information contained in this specification is the sole property of S.R. Smith LLC. Any reproduction in part or whole without the written consent of S.R. Smith LLC is prohibited.		