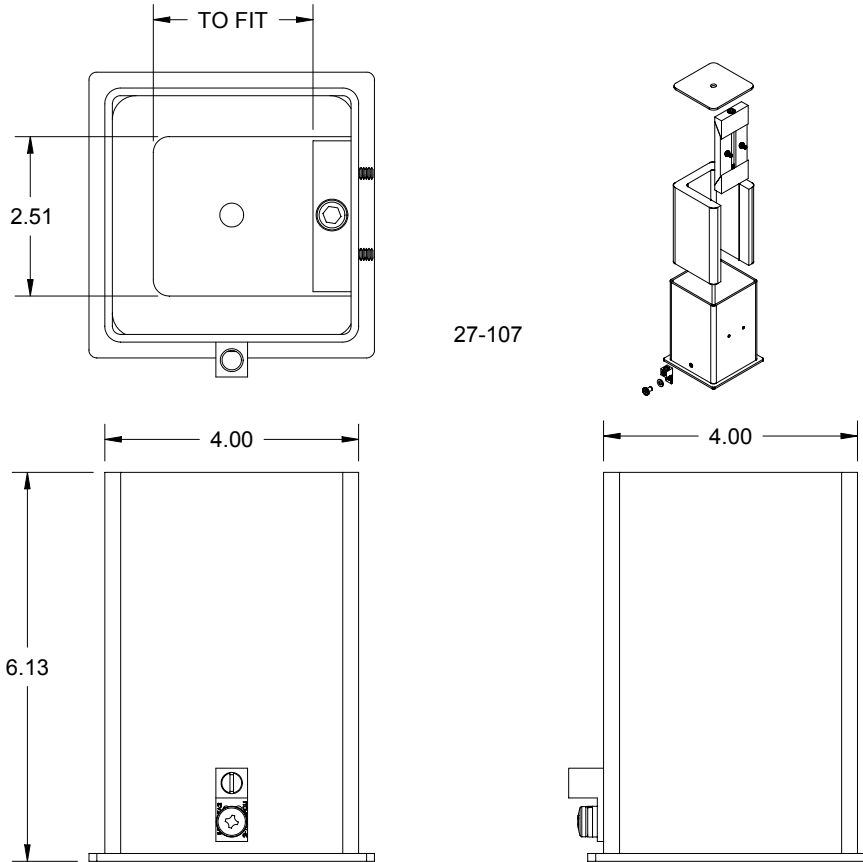


Adjustable Single Post Anchor Assembly



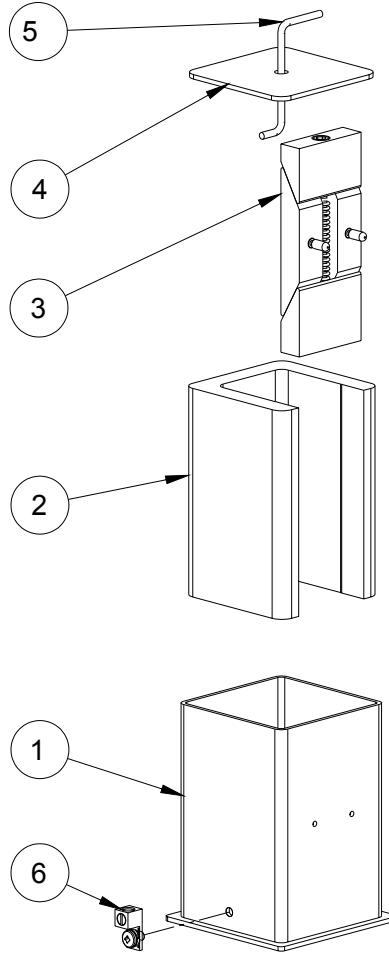
Specification: The Adjustable Single Post Anchor Assembly is specially designed to prevent starting platform rocking. The assembly consists of a housing constructed of 4.00" (101.6mm) x .12" (3.05mm) wall square stainless steel tubing welded onto a 4.50" (114.3mm) X .125" (3.18mm) square flange. The anchor is provided with a grounding screw, and the urethane resin liner can be replaced when worn. The liner pairs with a stainless steel adjustable wedge assembly, which when tightened will adjust to completely secure, or will loosen to facilitate removal of the starting platform. A stainless steel cap is provided to mount flush on the deck when the platform is removed. A cap removal key is provided with each anchor.

Shipping weight: 4 lbs. [1.81 kg.]

Specification Number:	SRS-920		
Product Description:	Adjustable Single Post Anchor Assembly		
S.R. Smith Part Number:	27-107	Scale:	NTS
Revision:	C	Date:	11/12/04
Written By:	J. Pilon	Date:	04/09/04
Approved By:	B. Bisceglia	Date:	04/09/04
Page 1 of 2	Proprietary and confidential: The information contained in this specification is the sole property of S.R. Smith LLC. Any reproduction in part or whole without the written consent of S.R. Smith LLC is prohibited.		

S.R. Smith, LLC
P.O. Box 400, 1017 SW Berg Parkway
Canby, Oregon 97013
Tel: (888) 677-7776 (503) 266-2231
Fax: (503) 266-4334
www.srsmith.com

Adjustable Single Post Anchor Assembly



Item No.	Part No.	Description
1	20-139	Anchor Body
2	4-602	Liner Insert
3		Wedge Assembly
4	4-113-1	Cover Plate
5	5-215-1	Cover Plate Removal Tool
6		Ground Lug Assembly

Specification Number:	SRS-920		
Product Description:	Adjustable Single Post Anchor Assembly		
S.R. Smith Part Number:	27-107	Scale:	NTS
Revision:	C	Date:	11/12/04
Written By:	J. Pilon	Date:	04/09/04
Approved By:	B. Bisceglia	Date:	04/09/04
Page 2 of 2	Proprietary and confidential: The information contained in this specification is the sole property of S.R. Smith LLC. Any reproduction in part or whole without the written consent of S.R. Smith LLC is prohibited.		

S.R. Smith, LLC
P.O. Box 400, 1017 SW Berg Parkway
Canby, Oregon 97013
Tel: (888) 677-7776 (503) 266-2231
Fax: (503) 266-4334
www.srsmith.com