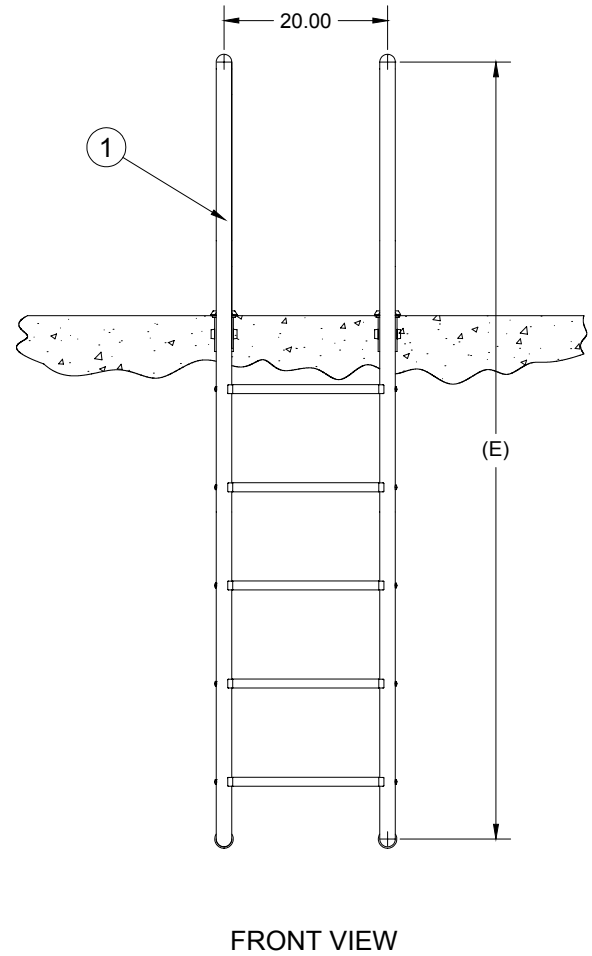
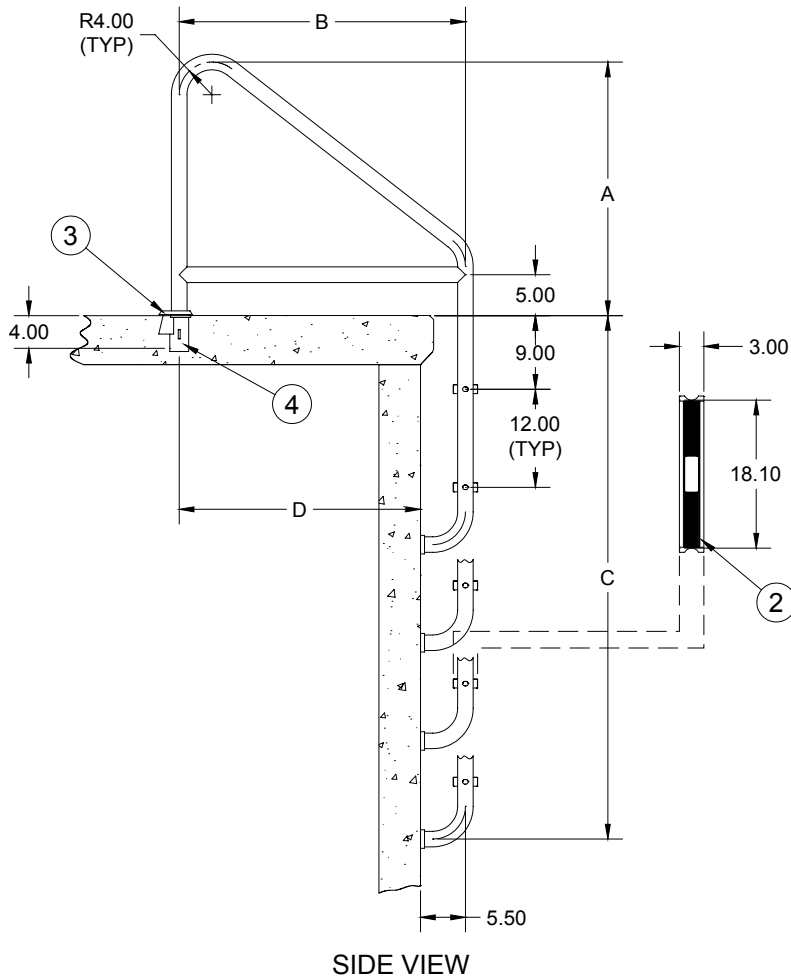


Cross Brace Plus Commercial Ladder (With Stainless Steel Tread)



MODEL NUMBER	A	B	C	D	(E)
10109 TO 10111	26.00	23.00	28.00	17.50	54.00
10112 TO 10114	26.00	23.00	40.00	17.50	66.00
10115 TO 10117	26.00	23.00	52.00	17.50	78.00
10118 TO 10120	26.00	23.00	64.00	17.50	90.00
10121 TO 10123	26.00	29.00	28.00	23.50	54.00
10124 TO 10126	26.00	29.00	40.00	23.50	66.00
10127 TO 10129	26.00	29.00	52.00	23.50	78.00
10130 TO 10132	26.00	29.00	64.00	23.50	90.00
10133 TO 10135	31.00	35.00	28.00	29.50	59.00
10136 TO 10138	31.00	35.00	40.00	29.50	71.00
10139 TO 10141	31.00	35.00	52.00	29.50	83.00
10142 TO 10144	31.00	35.00	64.00	29.50	95.00

Specification Number:	SRS-508	
Product Description:	Cross Brace Plus Commercial Ladder (With Stainless Steel Tread)	
S.R. Smith Part Number:	10109 to 10144	Scale: NTS
Revision:	A	Date: 06/11/03
Written By:	T. Weil	Date: 06/11/03
Approved By:	B. Bisceglia	Date: 06/13/03
Page 1 of 2	Proprietary and confidential: The information contained in this specification is the sole property of S.R. Smith LLC. Any reproduction in part or whole without the written consent of S.R. Smith LLC is prohibited.	

S.R. Smith, LLC
P.O. Box 400, 1017 SW Berg Parkway
Canby, Oregon 97013
Tel: (888) 677-7776 (503) 266-2231
Fax: (503) 266-4334
www.srsmith.com



S.R. Smith LLC Commercial Division

Product Specifications - Written

Product Name: Cross Brace Plus Commercial Ladder (*Stainless Steel Tread*)

Part Number: 10109 to 10144

General Notes:

The **Cross Brace Plus Commercial Ladder Stainless Steel** series are moderate height ladders with moderate to long reach. The frames and steps are made of polished type 304 stainless steel. The ladder is available in 2, 3, 4, or 5 steps.

Application:

With proper anchoring, the Cross Brace Plus Ladder is suitable for use on poured concrete, shotcrete, fiberglass, and vinyl commercial pools and spas as well as for other applications in most geographic areas.

Specifications:

- 1 Frame: The frames are made of 1.90" O.D. type 304 stainless steel and all bends are a nominal 4" (101.6mm) radius. The lower ends of the frames are bent to meet the pool wall and are fitted with white rubber bumpers. The cross brace is continuously welded to the front and rear legs by a tungsten inert gas process. The Cross Brace Plus Commercial Ladder is available in wall thicknesses of .065", .109, or .145 (1.65mm, 2.77, or 3.68).
- 2 Steps: The steps are constructed of polished 304 stainless steel with nominal dimensions of 3" x 20 (76.2mm x 508). The step frames have replaceable, black, non-skid tread inserts.
- 3 Escutcheon (Optional) (p/n IEP-100): This recommended oblong escutcheon plate is 4" (101.6mm) in length and is made of chrome plated cast brass. The escutcheon includes a tamper resistant, stainless steel set screw. Alternative escutcheons include p/n EP-100A or EP-100F.
- 4 Anchor Assembly (p/n IAS-100, see spec sheet for SRS-913): These recommended anchor sockets are bronze castings. They are intended for heavy-duty commercial use and secure fixtures by means of a wedge assembly. The anchor comes with a brass 1/4-20 UNC grounding screw for bonding. Alternative anchor assemblies include p/n AS-100B (see spec sheet for SRS-908).

Additional Product Numbers and Shipping Weight:

MODEL NUMBER	DESCRIPTION	SHIPPING WEIGHT
10109 to 10111	23 Inch 2-Step Cross Brace Ladder with .065", .109, .145 (1.65mm 2.77, 3.68) tubing	36 lbs, 50, 66 (16.3kg, 22.7, 30.0)
10112 to 10114	23 Inch 3-Step Cross Brace Ladder with .065", .109, .145 (1.65mm 2.77, 3.68) tubing	42 lbs, 58, 74 (19.1kg, 26.3,33.6)
10115 to 10117	23 Inch 4-Step Cross Brace Ladder with .065", .109, .145 (1.65mm 2.77, 3.68) tubing	46 lbs, 66, 82 (20.9kg, 30.0, 37.2)
10118 to 10120	23 Inch 5-Step Cross Brace Ladder with .065", .109, .145 (1.65mm 2.77, 3.68) tubing	52 lbs, 72, 90 (23.6kg, 32.7,40.9)
10121 to 10123	29 Inch 2-Step Cross Brace Ladder with .065", .109, .145 (1.65mm 2.77, 3.68) tubing	38 lbs, 56, 70 (17.3kg, 25.4,31.8)
10124 to 10126	29 Inch 3-Step Cross Brace Ladder with .065", .109, .145 (1.65mm 2.77, 3.68) tubing	44 lbs, 64, 78 (20.0kg, 29.1, 35.4)
10127 to 10129	29 Inch 4-Step Cross Brace Ladder with .065", .109, .145 (1.65mm 2.77, 3.68) tubing	50 lbs, 70, 86 (22.7kg, 31.8,39.0)
10130 to 10132	29 Inch 5-Step Cross Brace Ladder with .065", .109, .145 (1.65mm 2.77, 3.68) tubing	56 lbs, 78, 94 (25.4kg, 35.4, 42.7)
10133 to 10135	35 Inch 2-Step Cross Brace Ladder with .065", .109, .145 (1.65mm 2.77, 3.68) tubing	42 lbs, 62, 78 (19.1kg, 28.2,35.4)
10136 to 10138	35 Inch 3-Step Cross Brace Ladder with .065", .109, .145 (1.65mm 2.77, 3.68) tubing	46 lbs, 70, 86 (20.9kg, 31.8, 39.0)
10139 to 10141	35 Inch 4-Step Cross Brace Ladder with .065", .109, .145 (1.65mm 2.77, 3.68) tubing	52 lbs, 78, 94 (23.6kg, 35.4, 42.7)
10142 to 10144	35 Inch 5-Step Cross Brace Ladder with .065", .109, .145 (1.65mm 2.77, 3.68) tubing	58 lbs, 84, 102 (26.3kg, 38.1, 46.3)

Specification Number:	SRS-508	S.R. Smith, LLC P.O. Box 400, 1017 SW Berg Parkway Canby, Oregon 97013 Tel: (888) 677-7776 (503) 266-2231 Fax: (503) 266-4334 www.srsmith.com	
Product Description:	Cross Brace Plus Commercial Ladder (<i>With Stainless Steel Tread</i>)		
S.R. Smith Part Number:	10109 to 10144		
Revision:	A		Date: 06/11/03
Written By:	T. Weil		Date: 06/11/03
Approved By:	B. Bisceglia		Date: 06/13/03
Page 2 of 2	Proprietary and confidential: The information contained in this specification is the sole property of S.R. Smith LLC. Any reproduction in part or whole without the written consent of S.R. Smith LLC is prohibited.		