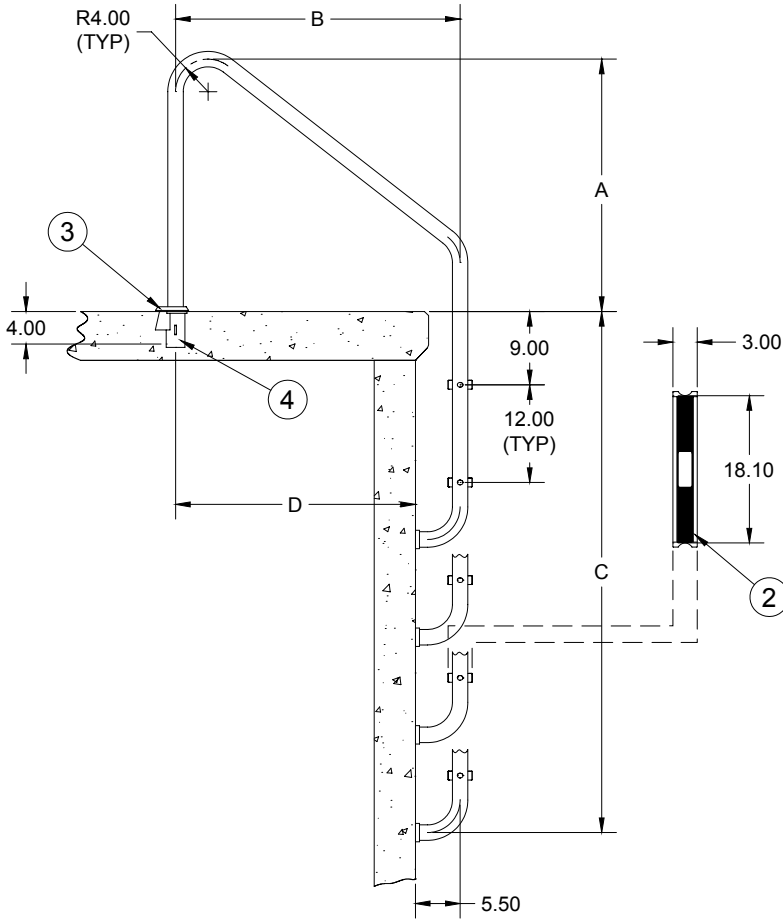
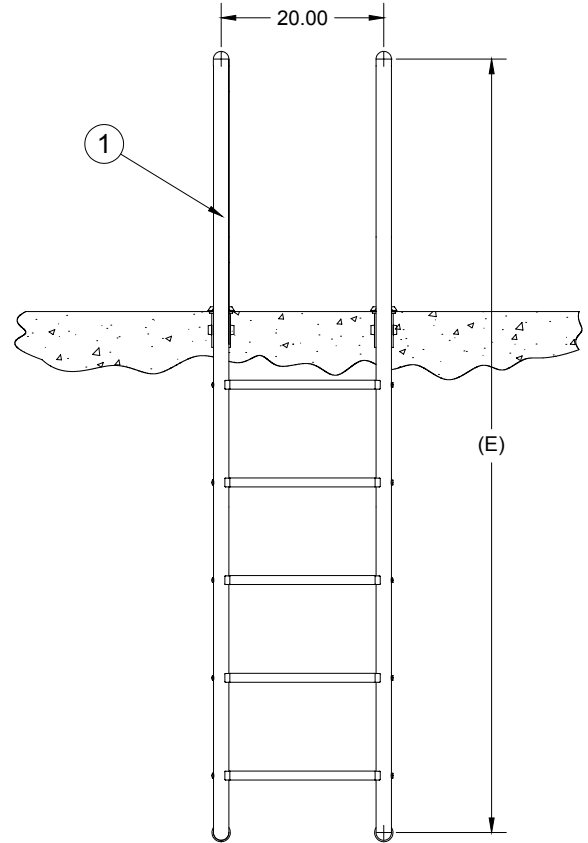


**Standard Plus Commercial Ladder (With Stainless Steel Tread)**



SIDE VIEW



FRONT VIEW

MODEL NUMBER	A	B	C	D	(E)
10037 TO 10039	26.00	23.00	28.00	17.50	54.00
10040 TO 10042	26.00	23.00	40.00	17.50	66.00
10043 TO 10045	26.00	23.00	52.00	17.50	78.00
10046 TO 10048	26.00	23.00	64.00	17.50	90.00
10049 TO 10051	26.00	29.00	28.00	23.50	54.00
10052 TO 10054	26.00	29.00	40.00	23.50	66.00
10055 TO 10057	26.00	29.00	52.00	23.50	78.00
10058 TO 10060	26.00	29.00	64.00	23.50	90.00
10061 TO 10063	31.00	35.00	28.00	29.50	59.00
10064 TO 10066	31.00	35.00	40.00	29.50	71.00
10067 TO 10069	31.00	35.00	52.00	29.50	83.00
10070 TO 10072	31.00	35.00	64.00	29.50	95.00

Specification Number:	<b>SRS-506</b>	
Product Description:	<b>Standard Plus Commercial Ladder (With Stainless Steel Tread)</b>	
S.R. Smith Part Number:	<b>10037 to 10072</b>	Scale: NTS
Revision:	A	Date: 06/11/03
Written By:	T. Weil	Date: 06/11/03
Approved By:	B. Bisceglia	Date: 06/13/03
Page 1 of 2	Proprietary and confidential: The information contained in this specification is the sole property of S.R. Smith LLC. Any reproduction in part or whole without the written consent of S.R. Smith LLC is prohibited.	

**S.R. Smith, LLC**  
P.O. Box 400, 1017 SW Berg Parkway  
Canby, Oregon 97013  
Tel: (888) 677-7776 (503) 266-2231  
Fax: (503) 266-4334  
www.srsmith.com



# S.R. Smith LLC Commercial Division

## Product Specifications - Written

**Product Name:** Standard Plus Commercial Ladder (*Stainless Steel Tread*)

**Part Number:** 10037 to 10072

**General Notes:**

The **Standard Plus Commercial Ladder Stainless Steel** series are moderate height ladders with moderate to long reach. The frames and steps are made of polished type 304 stainless steel. The ladder is available in 2, 3, 4, or 5 steps.

**Application:**

With proper anchoring, the Standard Plus Ladder is suitable for use on poured concrete, shotcrete, fiberglass, and vinyl commercial pools and spas as well as for other applications in most geographic areas.

**Specifications:**

- 1 Frame: The frames are made of 1.90" O.D. type 304 stainless steel and all bends are a nominal 4" (101.6mm) radius. The lower ends of the frames are bent to meet the pool wall and are fitted with white rubber bumpers. The Standard Plus Commercial Ladder is available in wall thicknesses of .065", .109, or .145 (1.65mm, 2.77, or 3.68).
- 2 Steps: The steps are constructed of polished 304 stainless steel with nominal dimensions of 3" x 20 (76.2mm x 508). The step frames have replaceable, black, non-skid tread inserts.
- 3 Escutcheon (Optional) (p/n IEP-100): This recommended oblong escutcheon plate is 4" (101.6mm) in length and is made of chrome plated cast brass. The escutcheon includes a tamper resistant, stainless steel set screw. Alternative escutcheons include p/n EP-100A or EP-100F.
- 4 Anchor Assembly (p/n IAS-100, see spec sheet for SRS-913): These recommended anchor sockets are bronze castings. They are intended for heavy-duty commercial use and secure fixtures by means of a wedge assembly. The anchor comes with a brass 1/4-20 UNC grounding screw for bonding. Alternative anchor assemblies include p/n AS-100B (see spec sheet for SRS-908).

**Additional Product Numbers and Shipping Weight:**

MODEL NUMBER	DESCRIPTION	SHIPPING WEIGHT
10037 to 10039	23 Inch 2-Step Ladder with .065", .109, .145 (1.65mm 2.77, 3.68) tubing	30 lbs, 42, 54 (13.6kg, 19.1, 24.5)
10040 to 10042	23 Inch 3-Step Ladder with .065", .109, .145 (1.65mm 2.77, 3.68) tubing	36 lbs, 50, 62 (16.3kg, 22.7, 28.1)
10043 to 10045	23 Inch 4-Step Ladder with .065", .109, .145 (1.65mm 2.77, 3.68) tubing	40 lbs, 58, 70 (18.2kg, 26.3, 31.8)
10046 to 10048	23 Inch 5-Step Ladder with .065", .109, .145 (1.65mm 2.77, 3.68) tubing	46 lbs, 64, 78 (20.9kg, 29.1, 35.4)
10049 to 10051	29 Inch 2-Step Ladder with .065", .109, .145 (1.65mm 2.77, 3.68) tubing	30 lbs, 44, 56 (13.6kg, 20.0, 25.4)
10052 to 10054	29 Inch 3-Step Ladder with .065", .109, .145 (1.65mm 2.77, 3.68) tubing	36 lbs, 52, 64 (16.3kg, 23.6, 29.1)
10055 to 10057	29 Inch 4-Step Ladder with .065", .109, .145 (1.65mm 2.77, 3.68) tubing	42 lbs, 58, 72 (19.1kg, 26.3, 32.7)
10058 to 10060	29 Inch 5-Step Ladder with .065", .109, .145 (1.65mm 2.77, 3.68) tubing	48 lbs, 66, 80 (21.8kg, 30.0, 36.3)
10061 to 10063	35 Inch 2-Step Ladder with .065", .109, .145 (1.65mm 2.77, 3.68) tubing	34 lbs, 48, 62 (15.4kg, 21.8, 28.1)
10064 to 10066	35 Inch 3-Step Ladder with .065", .109, .145 (1.65mm 2.77, 3.68) tubing	38 lbs, 56, 70 (17.3kg, 25.4, 31.8)
10067 to 10069	35 Inch 4-Step Ladder with .065", .109, .145 (1.65mm 2.77, 3.68) tubing	44 lbs, 64, 78 (20.0kg, 29.1, 35.4)
10070 to 10072	35 Inch 5-Step Ladder with .065", .109, .145 (1.65mm 2.77, 3.68) tubing	50 lbs, 70, 86 (22.7kg, 31.8, 39.0)

Specification Number:	<b>SRS-506</b>	
Product Description:	<b>Standard Plus Commercial Ladder (<i>With Stainless Steel Tread</i>)</b>	
S.R. Smith Part Number:	<b>10037 to 10072</b>	
Revision:	A	Date: 06/11/03
Written By:	T. Weil	Date: 06/11/03
Approved By:	B. Bisceglia	Date: 06/13/03
Page 2 of 2	Proprietary and confidential: The information contained in this specification is the sole property of S.R. Smith LLC. Any reproduction in part or whole without the written consent of S.R. Smith LLC is prohibited.	

**S.R. Smith, LLC**  
**P.O. Box 400, 1017 SW Berg Parkway**  
**Canby, Oregon 97013**  
**Tel: (888) 677-7776 (503) 266-2231**  
**Fax: (503) 266-4334**  
**www.srsmith.com**