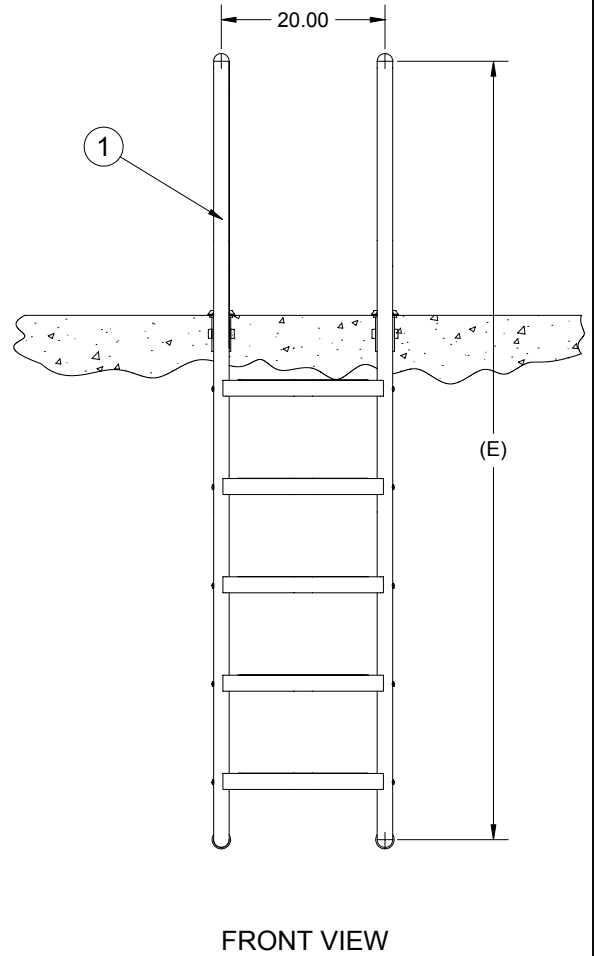
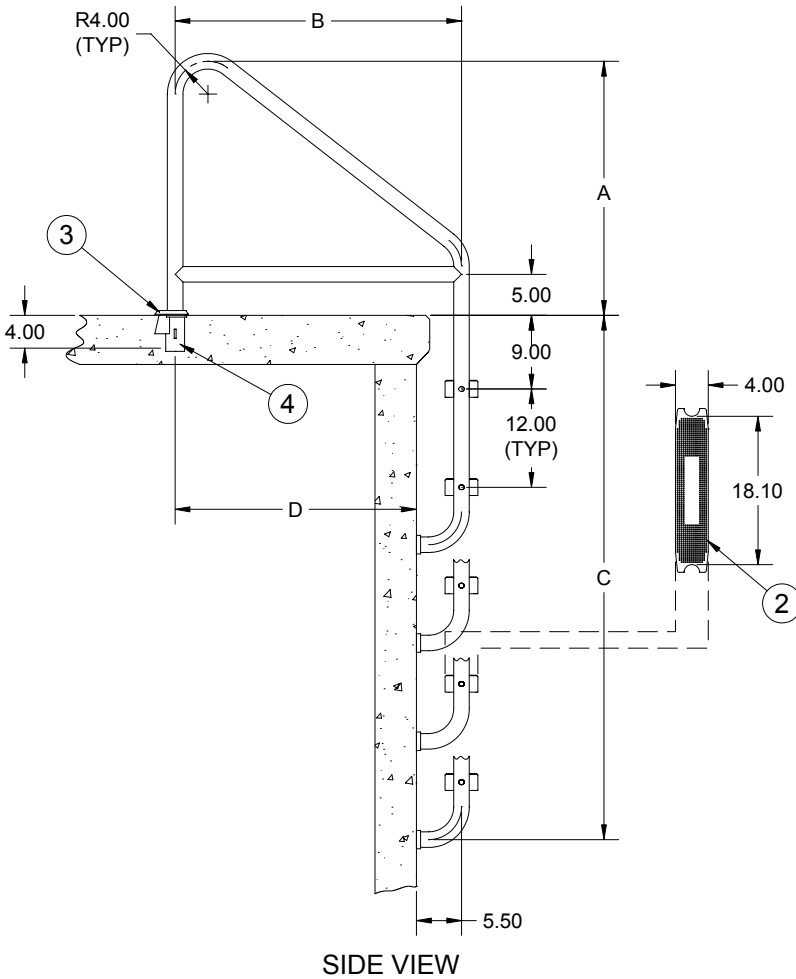


Cross Brace Plus Commercial Ladder (With Plastic Tread)



| MODEL NUMBER | A | B | C | D | (E) |
|----------------|-------|-------|-------|-------|-------|
| 10073 TO 10075 | 26.00 | 23.00 | 28.00 | 17.50 | 54.00 |
| 10076 TO 10078 | 26.00 | 23.00 | 40.00 | 17.50 | 66.00 |
| 10079 TO 10081 | 26.00 | 23.00 | 52.00 | 17.50 | 78.00 |
| 10082 TO 10084 | 26.00 | 23.00 | 64.00 | 17.50 | 90.00 |
| 10085 TO 10087 | 26.00 | 29.00 | 28.00 | 23.50 | 54.00 |
| 10088 TO 10090 | 26.00 | 29.00 | 40.00 | 23.50 | 66.00 |
| 10091 TO 10093 | 26.00 | 29.00 | 52.00 | 23.50 | 78.00 |
| 10094 TO 10096 | 26.00 | 29.00 | 64.00 | 23.50 | 90.00 |
| 10097 TO 10099 | 31.00 | 35.00 | 28.00 | 29.50 | 59.00 |
| 10100 TO 10102 | 31.00 | 35.00 | 40.00 | 29.50 | 71.00 |
| 10103 TO 10105 | 31.00 | 35.00 | 52.00 | 29.50 | 83.00 |
| 10106 TO 10108 | 31.00 | 35.00 | 64.00 | 29.50 | 95.00 |

| | | |
|-------------------------|--|----------------|
| Specification Number: | SRS-507 | |
| Product Description: | Cross Brace Plus Commercial Ladder (With Plastic Tread) | |
| S.R. Smith Part Number: | 10073 to 10108 | Scale: NTS |
| Revision: | A | Date: 06/11/03 |
| Written By: | T. Weil | Date: 06/11/03 |
| Approved By: | B. Bisceglia | Date: 06/13/03 |
| Page 1 of 2 | Proprietary and confidential: The information contained in this specification is the sole property of S.R. Smith LLC. Any reproduction in part or whole without the written consent of S.R. Smith LLC is prohibited. | |

S.R. Smith, LLC
P.O. Box 400, 1017 SW Berg Parkway
Canby, Oregon 97013
Tel: (888) 677-7776 (503) 266-2231
Fax: (503) 266-4334
www.srsmith.com



S.R. Smith LLC Commercial Division

Product Specifications - Written

Product Name: Cross Brace Plus Commercial Ladder (*Plastic Tread*)

Part Number: 10073 to 10108

General Notes:

The **Cross Brace Plus Commercial Ladder Plastic** series are moderate height ladders with moderate to long reach. The frames are polished type 304 stainless steel. The ladder is available in 2, 3, 4, or 5 plastic steps.

Application:

With proper anchoring, the Cross Brace Plus Ladder is suitable for use on poured concrete, shotcrete, fiberglass, and vinyl commercial pools and spas as well as for other applications in most geographic areas.

Specifications:

- 1 Frame: The frames are made of 1.90" O.D. type 304 stainless steel and all bends are a nominal 4" (101.6mm) radius. The lower ends of the frames are bent to meet the pool wall and are fitted with white rubber bumpers. The cross brace is continuously welded to the front and rear legs by a tungsten inert gas process. The Cross Brace Plus Commercial Ladder is available in wall thicknesses of .065", .109, or .145 (1.65mm, 2.77, or 3.68).
- 2 Steps: The steps are constructed of white, heavy duty plastic. They are a nominal 5" x 20 (127mm x 508) and come with all necessary stainless steel hardware.
- 3 Escutcheon (Optional) (p/n IEP-100): This recommended oblong escutcheon plate is 4" (101.6mm) in length and is made of chrome plated cast brass. The escutcheon includes a tamper resistant, stainless steel set screw. Alternative escutcheons include p/n EP-100A or EP-100F.
- 4 Anchor Assembly (p/n IAS-100, see spec sheet for SRS-913): These recommended anchor sockets are bronze castings. They are intended for heavy-duty commercial use and secure fixtures by means of a wedge assembly. The anchor comes with a brass 1/4-20 UNC grounding screw for bonding. Alternative anchor assemblies include p/n AS-100B (see spec sheet for SRS-908).

Additional Product Numbers and Shipping Weight:

| MODEL NUMBER | DESCRIPTION | SHIPPING WEIGHT |
|----------------|---|--------------------------------------|
| 10073 to 10075 | 23 Inch 2-Step Cross Brace Ladder with .065", .109, .145 (1.65mm 2.77, 3.68) tubing | 36 lbs, 50, 66 (16.3kg, 22.7, 30.0) |
| 10076 to 10078 | 23 Inch 3-Step Cross Brace Ladder with .065", .109, .145 (1.65mm 2.77, 3.68) tubing | 42 lbs, 58, 74 (19.1kg, 26.3,33.6) |
| 10079 to 10081 | 23 Inch 4-Step Cross Brace Ladder with .065", .109, .145 (1.65mm 2.77, 3.68) tubing | 46 lbs, 66, 82 (20.9kg, 30.0, 37.2) |
| 10082 to 10084 | 23 Inch 5-Step Cross Brace Ladder with .065", .109, .145 (1.65mm 2.77, 3.68) tubing | 52 lbs, 72, 90 (23.6kg, 32.7,40.9) |
| 10085 to 10087 | 29 Inch 2-Step Cross Brace Ladder with .065", .109, .145 (1.65mm 2.77, 3.68) tubing | 38 lbs, 56, 70 (17.3kg, 25.4,31.8) |
| 10088 to 10090 | 29 Inch 3-Step Cross Brace Ladder with .065", .109, .145 (1.65mm 2.77, 3.68) tubing | 44 lbs, 64, 78 (20.0kg, 29.1, 35.4) |
| 10091 to 10093 | 29 Inch 4-Step Cross Brace Ladder with .065", .109, .145 (1.65mm 2.77, 3.68) tubing | 50 lbs, 70, 86 (22.7kg, 31.8,39.0) |
| 10094 to 10096 | 29 Inch 5-Step Cross Brace Ladder with .065", .109, .145 (1.65mm 2.77, 3.68) tubing | 56 lbs, 78, 94 (25.4kg, 35.4, 42.7) |
| 10097 to 10099 | 35 Inch 2-Step Cross Brace Ladder with .065", .109, .145 (1.65mm 2.77, 3.68) tubing | 42 lbs, 62, 78 (19.1kg, 28.2,35.4) |
| 10100 to 10102 | 35 Inch 3-Step Cross Brace Ladder with .065", .109, .145 (1.65mm 2.77, 3.68) tubing | 46 lbs, 70, 86 (20.9kg, 31.8, 39.0) |
| 10103 to 10105 | 35 Inch 4-Step Cross Brace Ladder with .065", .109, .145 (1.65mm 2.77, 3.68) tubing | 52 lbs, 78, 94 (23.6kg, 35.4, 42.7) |
| 10106 to 10108 | 35 Inch 5-Step Cross Brace Ladder with .065", .109, .145 (1.65mm 2.77, 3.68) tubing | 58 lbs, 84, 102 (26.3kg, 38.1, 46.3) |

| | | |
|-------------------------|--|----------------|
| Specification Number: | SRS-507 | |
| Product Description: | Cross Brace Plus Commercial Ladder (<i>With Plastic Tread</i>) | |
| S.R. Smith Part Number: | 10073 to 10108 | |
| Revision: | A | Date: 06/11/03 |
| Written By: | T. Weil | Date: 06/11/03 |
| Approved By: | B. Bisceglia | Date: 06/13/03 |
| Page 2 of 2 | Proprietary and confidential: The information contained in this specification is the sole property of S.R. Smith LLC. Any reproduction in part or whole without the written consent of S.R. Smith LLC is prohibited. | |

S.R. Smith, LLC
P.O. Box 400, 1017 SW Berg Parkway
Canby, Oregon 97013
Tel: (888) 677-7776 (503) 266-2231
Fax: (503) 266-4334
www.srsmith.com