



PRODUCT SPECIFICATIONS - WRITTEN

Product Name: U-Style Diving Frames

Part Number: UF-18-102 to UF-24-102-MG

General Notes:

The **U-Style Diving Frames** are designed for moderate to heavy-duty use with a variety of diving boards on commercial pools. The frames are constructed from 1.90" O.D. x .065" (48.3mm x 1.65mm) 304 stainless steel.

Application:

Depending upon installation design and local codes, these models are suitable for use on commercial pools. Site and installation requirements will determine the actual stand sizes and board lengths.

Specifications:

- 1 **Frames:** The frames are made of 1.90" O.D. x .065" (48.3mm x 1.65mm) 304 stainless steel and are drilled below deck level to allow for reinforcement rods. Marine Grade models replace all 304 stainless with 316 stainless steel.
- 2 **Fulcrum:** The front frame of the U-Style Diving Frame is used as the fulcrum. A 18" (508mm) wide, white rubber fulcrum cover is used to provide noise and vibration reduction. The cover is replaceable.
- 3 **Escutcheon (Optional)** (p/n EP-100F) The round escutcheon plate is 4.5" (114.3mm) in dia. and is stamped of .023" (58mm) polished, type 304 stainless steel.

Additional Product Numbers and Shipping Weight:

Model Number	Description	Shipping Weight
UF-18-102	18" Model	18 lbs (8.16kg)
UF-24-102	24" Model	26 lbs (11.8kg)
UF-18-102-MG	18" Marine Grade 316 Stainless Steel	18 lbs (8.16kg)
UF-24-102-MG	24" Marine Grade 316 Stainless Steel	26 lbs (11.8kg)

Specification Number:	SRS-418	
Product Description:	U-Style Diving Frames	
S.R. Smith Part Number:	UF-18-102 to UF-24-102-MG	
Revision:	B	Date: 09/18/17
Written By:	T. Weil	Date: 05/06/03
Approved By:	B. Bisceglia	Date: 05/07/03
Page 2 of 2	Proprietary and confidential: The information contained in this specification is the sole property of S.R. Smith LLC. Any reproduction in part or whole without the written consent of S.R. Smith LLC is prohibited.	

S.R. Smith, LLC
P.O. Box 400, 1017 SW Berg Parkway
Canby, Oregon 97013
Tel: (888) 677-7776 (503) 266-2231
Fax: (503) 266-4334
www.srsmith.com

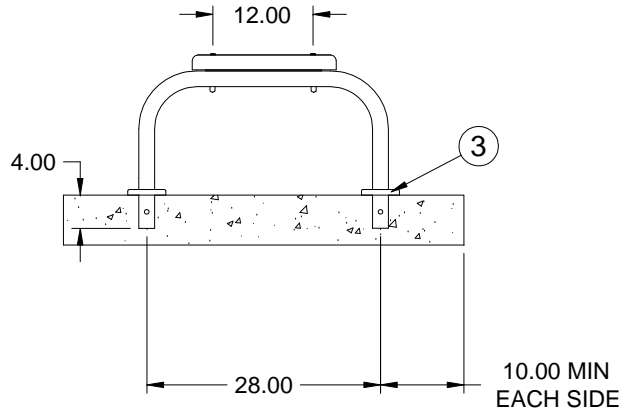


S.R. Smith LLC Commercial Division

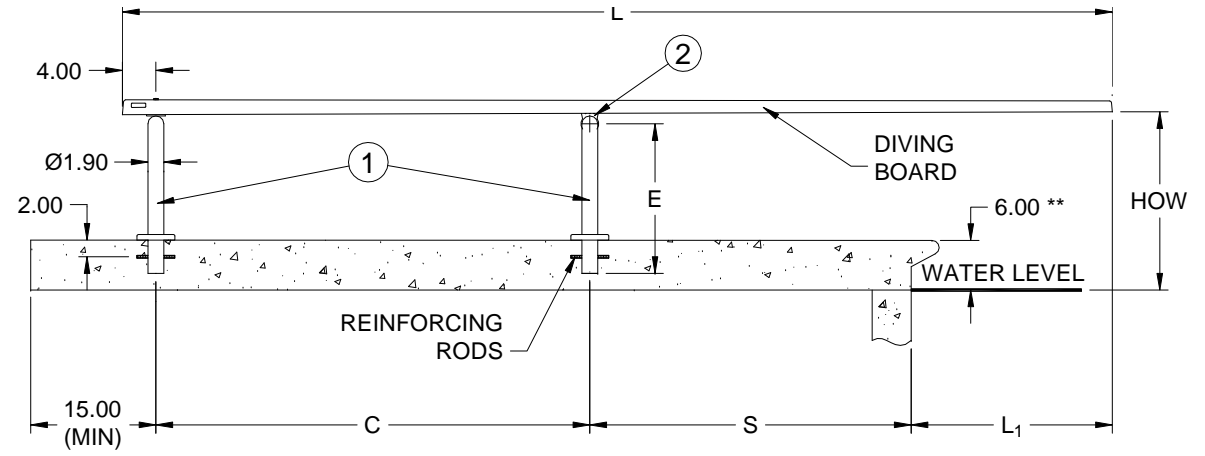
Product Specifications - Drawing

U-Style Diving Frames

Model Number	E
UF-18-102, UF-18-102-MG (Marine Grade)	18.00"
UF-24-102, UF-24-102-MG	24.00"



HEEL VIEW*



SIDE VIEW

$$S = L - (L_1 + C + 4")$$

DIVING BOARD LENGTH	Actual Length L (see note below)	Fulcrum Setting C
10'	118.5"	52" ± 5"
12'	142.5"	62" ± 6"
14'	166.5"	74" ± 6"
16'	190.5"	86" ± 6"

NOTE: Add 1.5" to L dimension for Aluminum Diving Boards

ANSI/NSPI-1 1991 Standard for Public Swimming Pools

Pool Type	Maximum Diving Board Length	Min. Overhang L ₁ (± 3")	Max. Height of Board Above Water HOW
VI	10'	30"	26"
VII	12'	36"	30"
VIII	16'	48"	39"
IX	16'	72"	118"

RECOMMENDED Compressive strength of concrete is 3500 psi or greater.
 MINIMUM width of concrete footing: 48"
 * ANSI/NSPI refers to Heel as Butt and Toe as Tip ends of board.
 ** WATER LEVEL MAY VARY. Adjust accordingly.

S.R. SMITH CANNOT GUARANTEE CUSTOMER'S CONCRETE OR THICKNESS.

NOTE:
 Diving boards (including spring boards, jump boards, and starting platforms) shall be installed only on pools meeting or exceeding the minimum requirements for the various pool types as outlined in the current edition of ANSI/NSPI-1 (for public Pools). In addition, all installations must meet or exceed applicable local codes with installation accomplished in accordance with S.R. SMITH written instructions.

Specification Number:	SRS-418		
Product Description:	U-Style Diving Frames		
S.R. Smith Part Number:	UF-18-102 to UF-24-102-MG	Scale:	NTS
Revision:	A	Date:	05/06/03
Written By:	T. Weil	Date:	05/06/03
Approved By:	B. Bisceglia	Date:	05/06/03
Page 1 of 2	Proprietary and confidential: The information contained in this specification is the sole property of S.R. Smith LLC. Any reproduction in part or whole without the written consent of S.R. Smith LLC is prohibited.		

S.R. Smith, LLC
 P.O. Box 400, 1017 SW Berg Parkway
 Canby, Oregon 97013
 Tel: (888) 677-7776 (503) 266-2231
 Fax: (503) 266-4334
 www.srsmith.com