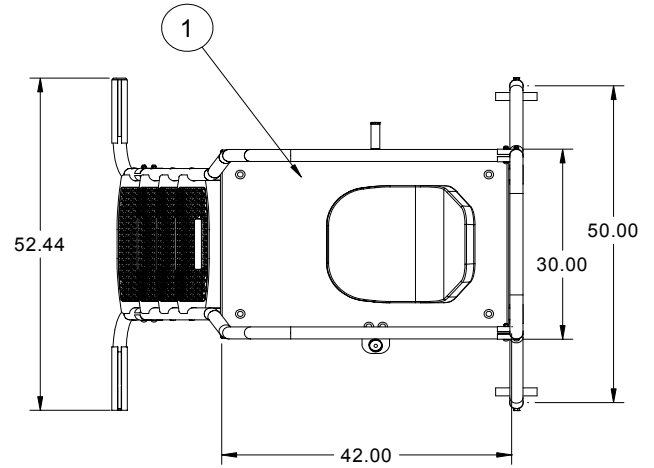
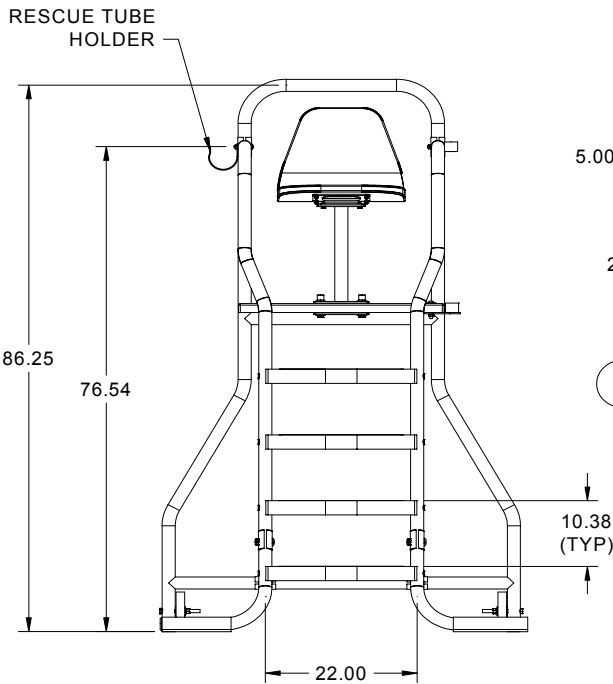


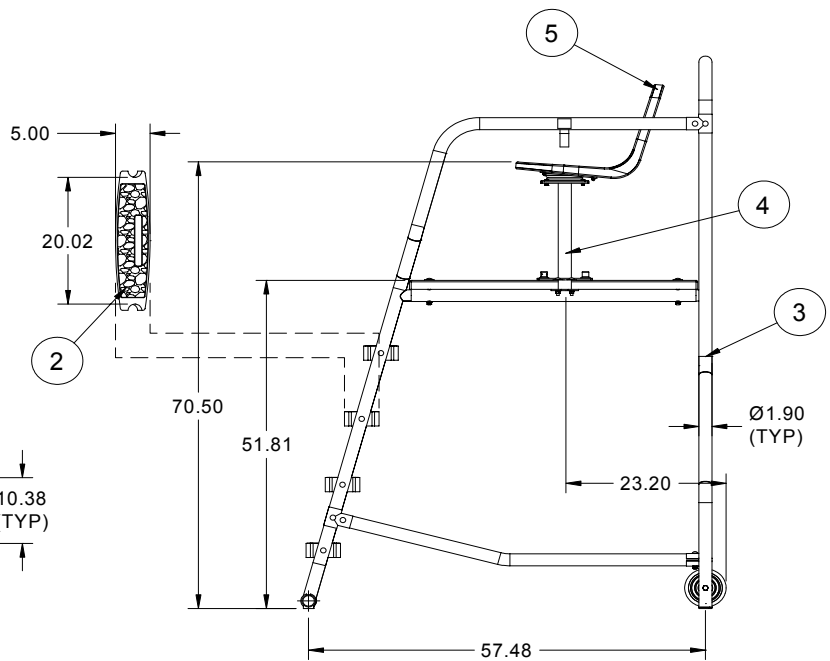
**6' Vista Moveable Lifeguard Stand**



TOP VIEW



FRONT VIEW



SIDE VIEW

Specification Number:	<b>SRS-106</b>	
Product Description:	<b>6' Vista Moveable Lifeguard Stand</b>	
S.R. Smith Part Number:	<b>US48500</b>	Scale: NTS
Revision:	B	Date: 03/29/04
Written By:	T. Weil	Date: 05/15/03
Approved By:	B. Bisceglia	Date: 05/15/03
Page 1 of 2	Proprietary and confidential: The information contained in this specification is the sole property of S.R. Smith LLC. Any reproduction in part or whole without the written consent of S.R. Smith LLC is prohibited.	

**S.R. Smith, LLC**  
P.O. Box 400, 1017 SW Berg Parkway  
Canby, Oregon 97013  
Tel: (888) 677-7776 (503) 266-2231  
Fax: (503) 266-4334  
[www.srsmith.com](http://www.srsmith.com)



# S.R. Smith LLC Commercial Division

## Product Specifications - Written

**Product Name:** 6' Vista Moveable Lifeguard Stand

**Part Number:** US48500

**General Notes:**

The **6' Vista Lifeguard Stand** is a moderate to tall lifeguard chair and is intended for use at temporary, semi-permanent and permanent sites.

**Application:**

Depending upon installation design, local codes, and site requirements, this model is suitable for use on both commercial and competition pools. In addition, these stands are well suited for use as judging and observation stands on tennis courts and other sporting sites, especially those where permanent installation is not required.

**Specifications:**

- 1 **Footboard:** The observation platform (footboard) of the 6' Vista Lifeguard Stand measures 1-1/2" x 30 x 42 (38.1mm x 762 x 1067) and is a solid laminated fir core covered with fiberglass-reinforced acrylic. The top surface is a non-skid sanded tread.
- 2 **Steps:** The four (4) steps are constructed of black molded plastic and are set in the ladder at a 15° angle to facilitate mounting of the stand. They are a nominal 5" x 20 (127mm x 508) and come with all necessary stainless steel hardware.
- 3 **Frame:** The frame is constructed of type 304 polished stainless steel tube with 1.90" O.D. x .065 wall (48.25mm x 2.77). The front base section is fitted with two (2) 10" fulcrum covers, which add stability and absorb shock. The rear base section is fitted with plastic rail end plugs to protect deck, and wheels to facilitate movement of the stand. The stand is equipped with an umbrella holder and rescue tube holder.
- 4 **Swivel Stand:** The base column of the swivel stand assembly is constructed of 1.90" O.D. x .065 wall (48.25mm x 1.65) type 304 stainless steel. At the lower end of the column is affixed a .25" (6.4mm) stainless steel plate which serves as a mounting flange. This flange is attached in tandem with the observation platform (footboard) to the platform supports.
- 5 **Seat w/ Swivel:** A special swivel mechanism is attached to the upper end of the swivel stand base column to allow for a 360° rotation of the contoured, low-side fiberglass seat.

**Additional Product Numbers:** N/A

**Shipping Weight:** N/A

Specification Number:	SRS-106	
Product Description:	6' Vista Moveable Lifeguard Stand	
S.R. Smith Part Number:	US48500	
Revision:	B	Date: 03/29/04
Written By:	T. Weil	Date: 05/15/03
Approved By:	B. Bisceglia	Date: 05/15/03
Page 2 of 2	Proprietary and confidential: The information contained in this specification is the sole property of S.R. Smith LLC. Any reproduction in part or whole without the written consent of S.R. Smith LLC is prohibited.	

**S.R. Smith, LLC**  
**P.O. Box 400, 1017 SW Berg Parkway**  
**Canby, Oregon 97013**  
**Tel: (888) 677-7776 (503) 266-2231**  
**Fax: (503) 266-4334**  
**www.srsmith.com**