



**DISTRIBUTOR INFORMATION**

_____ COMPANY NAME	_____ CONTACT NAME	_____ DATE
_____ PHONE	_____ EMAIL	

**PROJECT JOB INFORMATION**

_____ INSTITUTION	_____ CONTACT NAME		
_____ ADDRESS	_____ CITY	_____ STATE	_____ ZIP
_____ PHONE	_____ EMAIL		

S.R.Smith manufactures a wide range of starting blocks for use at all levels of competitive swimming, and takes into consideration rules and regulations from World Aquatics, USA Swimming, National Collegiate Athletic Association (NCAA), National Federation of State High School Associations (NFSH), and the Model Aquatic Health Code (MAHC). S.R.Smith and the end user also recognize that state and local building codes apply in various jurisdictions.

**MINIMUM WATER DEPTH BY ORGANIZATION**

- **WORLD AQUATICS** - 4 feet 5 inches
- **USA SWIMMING** - 4 feet for competition, 6 feet for teaching, 6 feet 7 inches for championship meets
- **NCAA** - 4 feet
- **NFSH** - 4 feet
- **MAHC** - 4 feet

**S.R.SMITH RECOMMENDED MAXIMUM STARTING BLOCK HEIGHT OVER WATER**

- **LESS THAN 4 FEET OF WATER DEPTH** - No starting block
- **4 FEET - 6 FEET OF WATER DEPTH** - 18 Inches
- **6 FEET OR MORE OF WATER DEPTH** - 29.5 Inches

Help us serve your clients better by including architectural line drawings and specifications for new installations, and line drawings and/or photos for existing applications.

## DIMENSIONS

**Water Depth:** \_\_\_\_\_ Feet \_\_\_\_\_ Inches

**Deck to Water Height:** \_\_\_\_\_ Feet \_\_\_\_\_ Inches  
Allowable range to meet World Aquatics standards - 8 inches to 13.5 inches.

**Retrofit:**  
Please indicate the position of your existing anchors below, including the distance from the pool's edge.

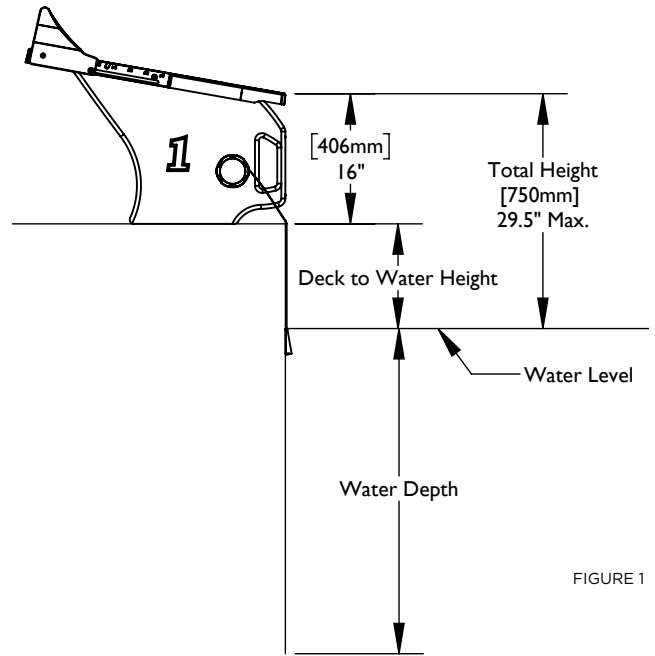
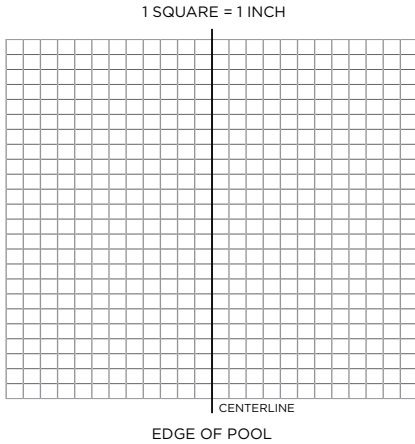


FIGURE 1

## ORDER DETAILS

**Quantity:** \_\_\_\_\_

**Numbering:** \_\_\_\_\_  
How would you like the blocks numbered?  
(i.e., 12 starting blocks could be numbered 1-12, two sets of 1-6, or 1-11 with one blank)

## SPECIAL REQUEST

Only one of the following choices (A, B, or C) can be selected for your starting block order. These items also include additional charges and lead time.

**A - TrueTread™**       Yellow       Red       Gray       Blue

Velocity footboards are available in a choice of four TrueTread™ colors. Place a mark next to the desired color.

**B - Logo/Footboard Numbers (Not available with TrueTread)**       Yes, we want a logo       Yes, we want numbering on footboard

If you would like a logo or numbering placed on the footboards, please email file in vector-based file or formats. We will send a separate drawing of the logo/numbering placement on the footboard to be signed off along with the drawing for the starting block(s).

**C - Colored Sand Tread**       Yellow       Red       Green       Blue

You can get the tread for the footboard and step in a selection of colors. Place a mark next to the desired color. Standard color for the tread is white. White will be used if there is no color tread or logo selected.

Distributor and End User understand that regulations of governing bodies, including those listed above along with state and local codes, supersede these recommendations when they require additional depth. For example, a pool that will host World Aquatics swim meets cannot place starting blocks in water depths of less than 4 feet 5 inches because it does not meet the minimum depth for World Aquatics. By ordering, purchasing and installing S.R.Smith starting blocks, the Distributor and End User acknowledge receipt and understanding of the above recommendations.

\_\_\_\_\_  
END USER SIGNATURE

\_\_\_\_\_  
PRINT NAME

\_\_\_\_\_  
DATE

\_\_\_\_\_  
DISTRIBUTOR SIGNATURE

\_\_\_\_\_  
PRINT NAME

\_\_\_\_\_  
DATE