

PROJECT INFORMATION

PROJECT NAME _____

RESIDENTIAL

COMMERCIAL

Requires ICC code 1607.8.1 (Commercial projects only)

CONTACT INFORMATION

DISTRIBUTOR NAME _____

DISTRIBUTOR CONTACT NAME _____

DISTRIBUTOR ADDRESS _____

CITY _____

STATE _____

ZIP _____

DISTRIBUTOR PHONE _____

DISTRIBUTOR EMAIL _____

TUBING OUTSIDE DIAMETER

1.50"

1.90"

**Standard .120" wall thickness*

WALL THICKNESS

.049"

.065"

.109"

.120"

.145"

***Standard 1.50" tubing outside diameter*

GRADE

304 (Standard)

316L (Marine)

POWDER COATING (Escutcheons not included)

NONE

WHITE

BLACK

COPPER VEIN

SILVER GRAY

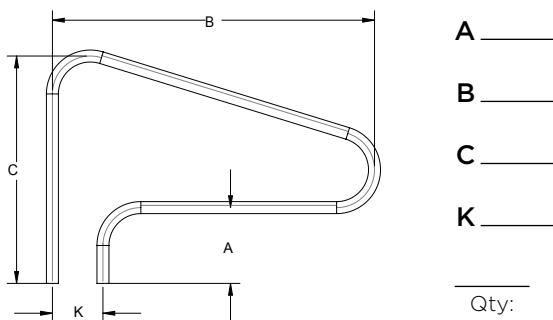
TAUPE

ROCK GRAY

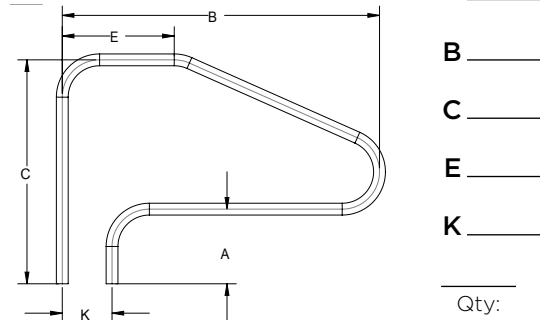
HAMMERTONE GRAY

HANDRAIL PATTERN Include amount to be inserted into anchor for dimensions "A" and "C"

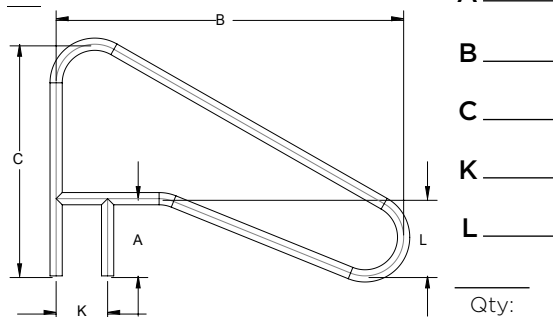
DMS-100



DMS-101



DMS-102



DMS-103

