



Product Specifications - Written

Product Name: Typhoon®

Part Numbers: 670-209-58123, 670-209-58124, 670-209-58223 & 670-209-58224

General Notes:

The **Typhoon** is a 7'4" tall height slide with integral polyethylene runway and ladder. The Typhoon is available in both left and right hand curves.

Application:

This slide is intended for use on in-ground swimming pools only. With proper deck anchoring, this product is suitable for use in most geographic regions. The weight limit for this slide is 275 lbs.

Specifications:

- 1 **Runway:** The slide runway is made from thick, durable, roto-molded polyethylene. Water delivery system comes standard with the slide utilizing 1" PVC flex hose for a flow rate of up to 20 GPM.
- 2 **Handrail:** The two (2) ladder handrails are molded into the ladder and are made of molded polyethylene.
- 3 **Ladder:** The ladder is inclined 20° off vertical with eight (8) enclosed steps for ease of climbing.
- 4 **Anchor Assembly (Included):** Slide is anchored to the deck using eight (8) ½" (12.70mm) diameter stainless steel anchor studs with hardware.

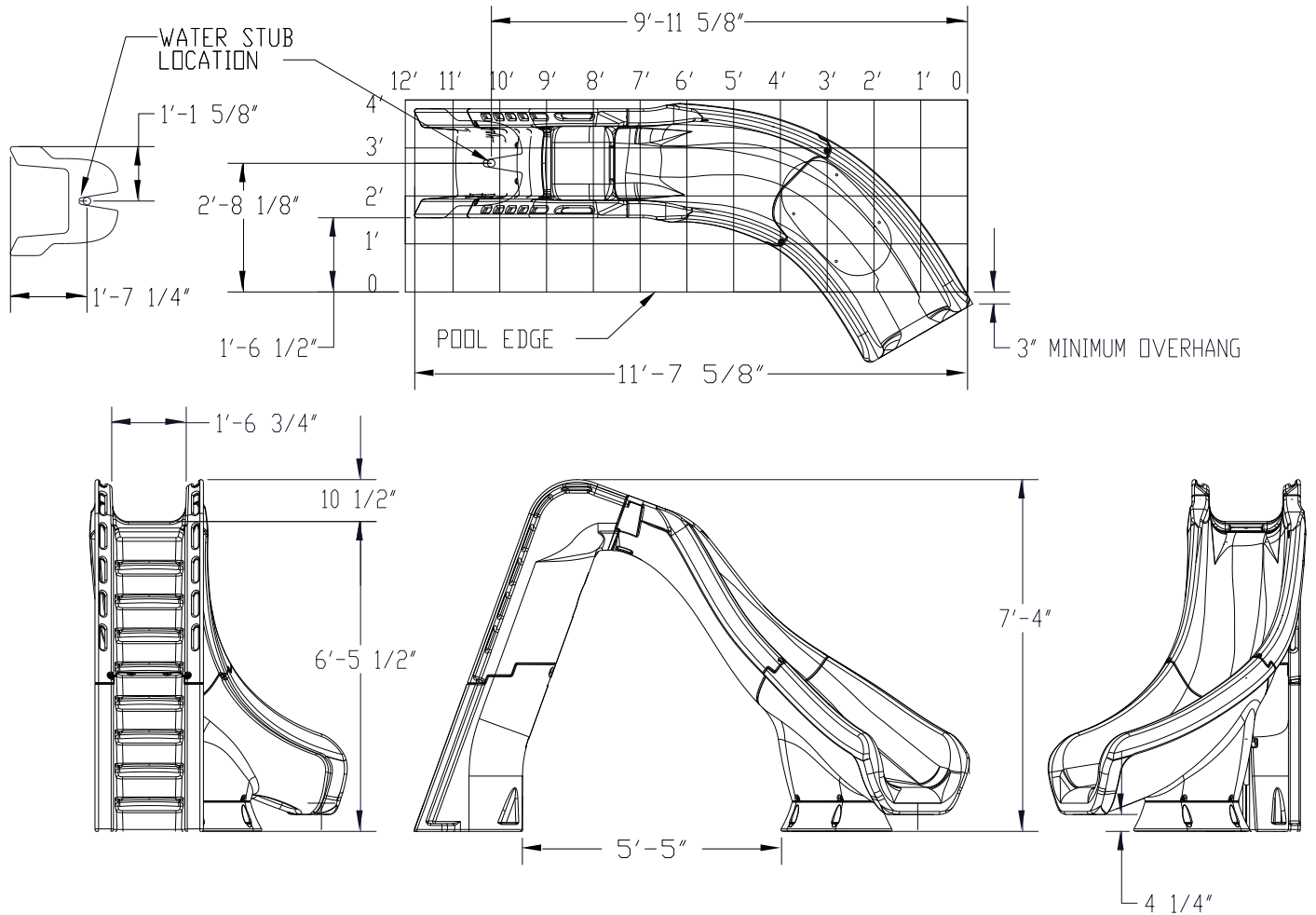
Product Numbers and Shipping Weight:

MODEL NUMBER	DESCRIPTION	SHIPPING WEIGHT
670-209-58123	Typhoon Right Hand - Sandstone	255 lbs. (115.6kg)
670-209-58223	Typhoon Left Hand - Sandstone	255 lbs. (115.6kg)
670-209-58124	Typhoon Right Hand - Gray Granite	255 lbs. (115.6kg)
670-209-58224	Typhoon Left Hand – Gray Granite	255 lbs. (115.6kg)

Specification Number:	SRS-210	
Product Description:	Typhoon® Slide	
S.R. Smith Part Number:	670-209-58123, 670-209-58124, 670-209-58223 & 670-209-58224	
Revision:	B	Date: 7/25/13
Written By:	Bill Svendsen	Date: 1/15/08
Approved By:		Date: 1/15/08
Page 3 of 3	Proprietary and confidential: The information contained in this specification is the sole property of S.R. Smith LLC. Any reproduction in part or whole without the written consent of S.R. Smith LLC is prohibited.	

S.R. Smith, LLC
P.O. Box 400, 1017 SW Berg Parkway
Canby, Oregon 97013
Tel: (800) 824-4387 (503) 266-2231
Fax: (503) 266-4334
www.srsmith.com

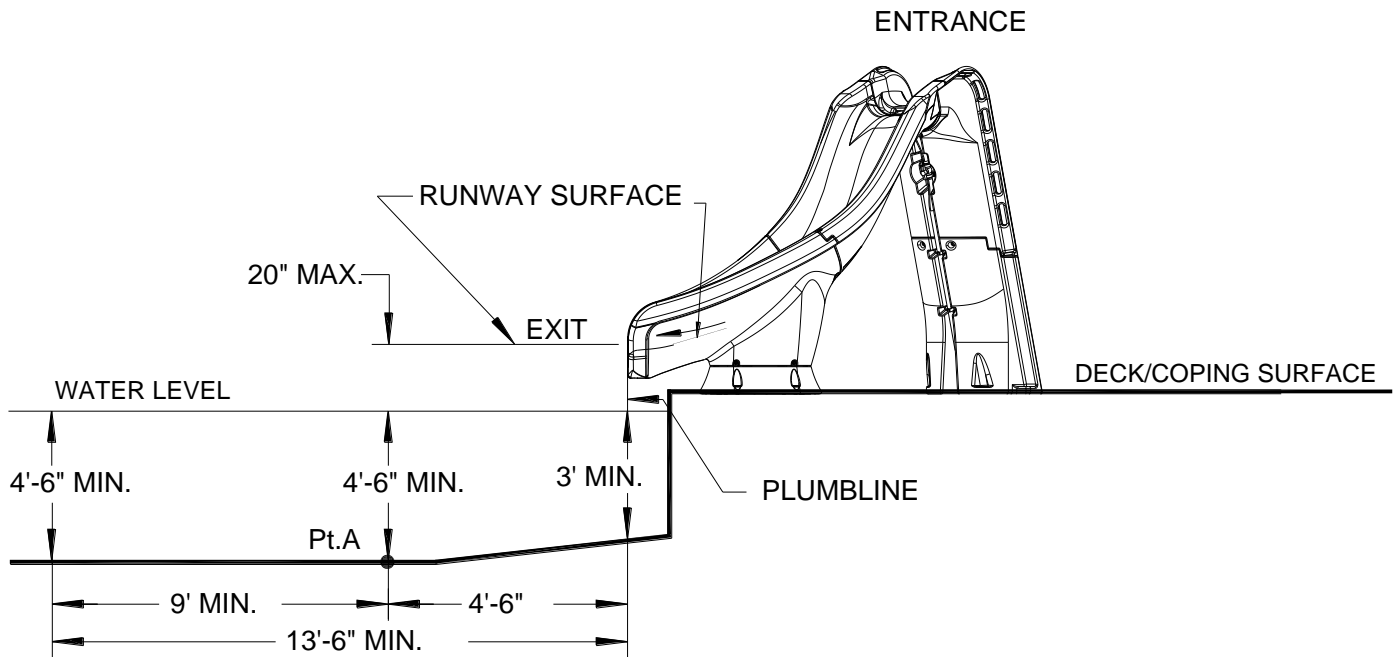
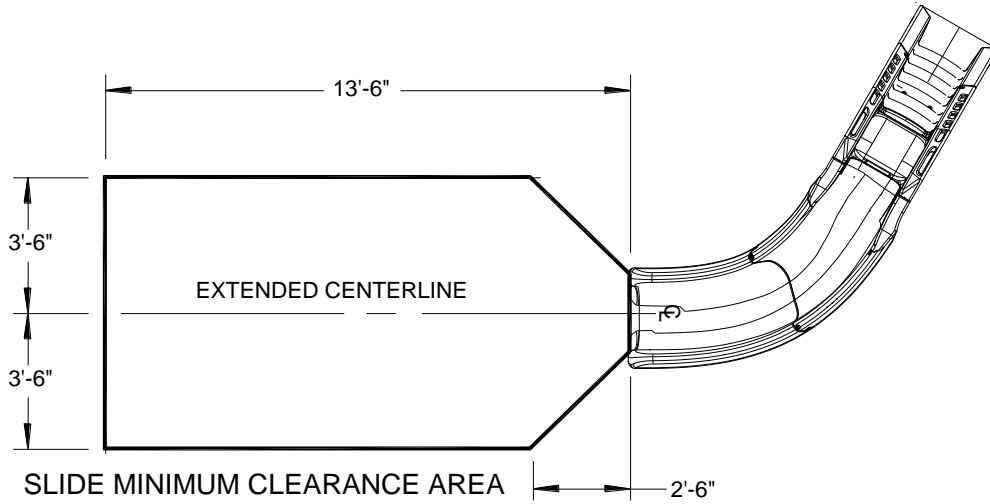
TYPHOON[®] SLIDE (RIGHT CURVE SHOWN) (LEFT CURVE IS MIRROR IMAGE)



Specification Number:	SRS-210		
Product Description:	Typhoon[®] Slide		
S.R. Smith Part Number:	670-209-58123, 58124, 58223 & 58224	Scale:	NTS
Revision:	B	Date:	7/25/13
Written By:	BILL SVENDSEN	Date:	1/15/08
Approved By:		Date:	1/15/08
Page 1 of 3	Proprietary and confidential: The information contained in this specification is the sole property of S.R. Smith LLC. Any reproduction in part or whole without the written consent of S.R. Smith LLC is prohibited.		

S.R. Smith, LLC
P.O. Box 400, 1017 SW Berg Parkway
Canby, Oregon 97013
Tel: (800) 824-4387 (503) 266-2231
Fax: (503) 266-4334
www.srsmith.com

Typhoon[®] Slide Placement



Specification Number:	SRS-210	
Product Description:	Typhoon[®] Slide	
S.R. Smith Part Number:	670-209-58123, 58124, 58223 & 58224	Scale: NTS
Revision:	B	Date: 7/25/13
Written By:	Bill Svendsen	Date: 1/15/08
Approved By:		Date: 1/15/08
Page 2 of 3	Proprietary and confidential: The information contained in this specification is the sole property of S.R. Smith LLC. Any reproduction in part or whole without the written consent of S.R. Smith LLC is prohibited.	

S.R. Smith, LLC
 P.O. Box 400, 1017 SW Berg Parkway
 Canby, Oregon 97013
 Tel: (800) 824-4387 (503) 266-2231
 Fax: (503) 266-4334
www.srsmith.com