



TYPHOON®

ASSEMBLY AND INSTALLATION INSTRUCTIONS



WARNING

S.R. SMITH TYPHOON SLIDES ARE MANUFACTURED FOR INSTALLATION AND USE ON RESIDENTIAL INGROUND SWIMMING POOLS ONLY. THE TYPHOON IS NEVER TO BE INSTALLED AND USED ON ABOVEGROUND POOLS, ONGROUND POOLS, HOUSEBOATS, BOAT DOCKS, FLOATING DOCKS OR PLATFORMS OR OTHER BODIES OF WATER SUCH AS LAKES, PONDS, RIVERS, ETC.

SRS AUSTRALIA, PTY LTD
12 Enterprise St
Richlands QLD 4077
Australia
Phone 07 3812 2283 • Fax 07 3812 1187
www.srsmith.com/au

S.R. SMITH, LLC
CORPORATE HEADQUARTERS
P.O. Box 400 • 1017 S.W. Berg Parkway
Canby, Oregon 97013
USA
Tel: 1 (800) 824-4387
www.srsmith.com

TABLE OF CONTENTS

INTRODUCTION.....	3
INSTALLED TYPHOON STRUCTURAL & INSTALLATION CHECKLIST	4
MAINTENANCE INSTRUCTIONS	4
ASSEMBLED TYPHOON LAYOUT	5
PARTS LIST	6
ASSEMBLY INSTRUCTIONS.....	7
Tools Required	7
Gasket Installation.....	7
Typhoon Assembly.....	8
ON-DECK MOUNTING INSTRUCTIONS	13
SLIDE PLUMBING INSTRUCTIONS.....	14
MANUFACTURER'S PLACEMENT INSTRUCTIONS	15

SLIDE ASSEMBLY AND INSTALLATION VIDEOS AVAILABLE AT
www.youtube.com/srsmithllc

REGISTER YOUR S.R. SMITH PRODUCT AT
www.srsmith.com/en/customer-service/product-registration



Visit srsmith.com for information on the complete line of S.R. Smith pool products.

INTRODUCTION



DANGER – FAILURE TO FOLLOW THESE WARNINGS, INSTRUCTIONS, AND THE OWNER’S MANUAL MAY RESULT IN SERIOUS INJURY OR DEATH.

THE TYPHOON IS DESIGNED AND MANUFACTURED FOR INSTALLATION AND USE ON INGROUND SWIMMING POOLS ONLY. DO NOT INSTALL THIS SLIDE ON ABOVE GROUND POOLS, HOUSEBOATS, BOAT DOCKS, FLOATING DOCKS OR PLATFORMS, OR OTHER BODIES OF WATER SUCH AS LAKES, PONDS, RIVERS, ETC. PROPER ASSEMBLY, INSTALLATION, USE, AND SUPERVISION ARE ESSENTIAL FOR PROPER OPERATION AND TO REDUCE THE RISK OF SERIOUS INJURY OR DEATH.

ALL NATIONAL AND LOCAL BUILDING CODES MUST BE FOLLOWED. THIS INCLUDES ANY APPLICABLE REQUIREMENTS FOR SIZE OF CONCRETE FOOTING, OVERALL HEIGHT OF SLIDE, AND BODING OR ELECTRICAL CODES.

CHECK INSIDE ALL BOXES AND PACKAGING MATERIALS FOR PARTS. BEFORE BEGINNING ASSEMBLY, READ ALL INSTRUCTIONS AND IDENTIFY PARTS USING THE FIGURES AND PARTS LISTED IN THIS DOCUMENT. IT IS CRITICAL THAT ALL PARTS BE CAREFULLY INSPECTED BY THE INSTALLER PRIOR TO INSTALLATION TO ENSURE THAT NO DAMAGE OCCURRED IN TRANSIT AND THAT A DAMAGED PART IS NOT USED. PROPER INSTALLATION CANNOT BE OVERSTRESSED, IMPROPER INSTALLATION VOIDS S.R. SMITH’S WARRANTY AND MAY AFFECT THE SAFETY OF THE USER.

INSTALLER MUST GIVE TO SLIDE OWNER: TYPHOON SLIDE INSTALLATION AND OWNER’S MANUAL, THE WARRANTY CARD, AND ANSWER ALL QUESTIONS REGARDING SAFE AND PROPER USE AND SLIDE MAINTENANCE.

FOR COMPLETE SLIDE SAFETY INFORMATION REFER TO THE OWNER’S MANUAL.

INSTALLED TYPHOON STRUCTURAL & INSTALLATION CHECKLIST

Installer to review with slide owner upon completion of slide installation.

1. Inspect the runway for visible cracks or tears.
2. Inspect the ladder for sharp edges, protrusions, cracks, or tears.
3. Inspect all fasteners to make sure they are fully tightened.
4. Inspect the ladder for rigidity and attachment.
5. Measure the following dimensions and compare with the manufacturer's placement instructions on page 15.
 - Pool water depth at the base of the slide should be at least 3' (914 mm) deep, and at 4'6" (1372 mm) out from slide exit, should be at least 4'6" (1372 mm) deep.
 - The height of the slide runway exit above the water should be 20" (508 mm) maximum.
 - The distance between the slide centerline and the edge of other pool equipment should be at least 3'6" (1067 mm).
6. Observe the position of the exit of the slide as shown in FIGURE M, FIGURE N, and FIGURE P on pages 15 and 16.

MAINTENANCE INSTRUCTIONS

1. When hosing down the deck, hose your Typhoon to wash away any dust, dirt or other debris, which may have accumulated.
2. Be sure that all connections are secure. Tighten hardware if necessary.
3. All polyethylene parts require little maintenance. Hose and wipe to clean.

While cleaning slide, check and see that all nuts and bolts are tight and secure.
4. Inspect the runway for visible cracks or tears, sharp edges and protrusions.
5. Inspect all attachment points for loose or corroded fasteners.
6. Inspect all ladder tread or step-attachment points for evidence of shear, bending yield, or fatigue in the ladder steps, rails, or attachments means. Yield is evidenced by crystallization or fine cracking of the ladder tread and/or surface.
7. Inspect the ladder handrails for rigidity and attachment.

ASSEMBLED TYPHOON LAYOUT

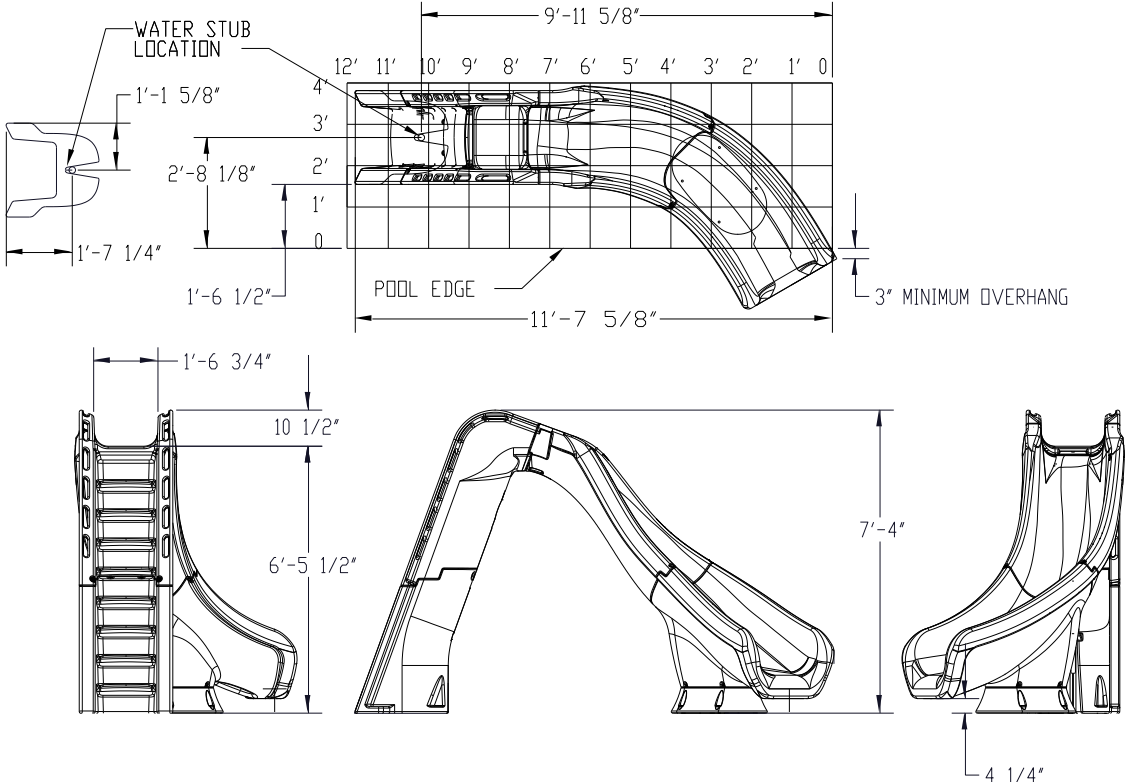
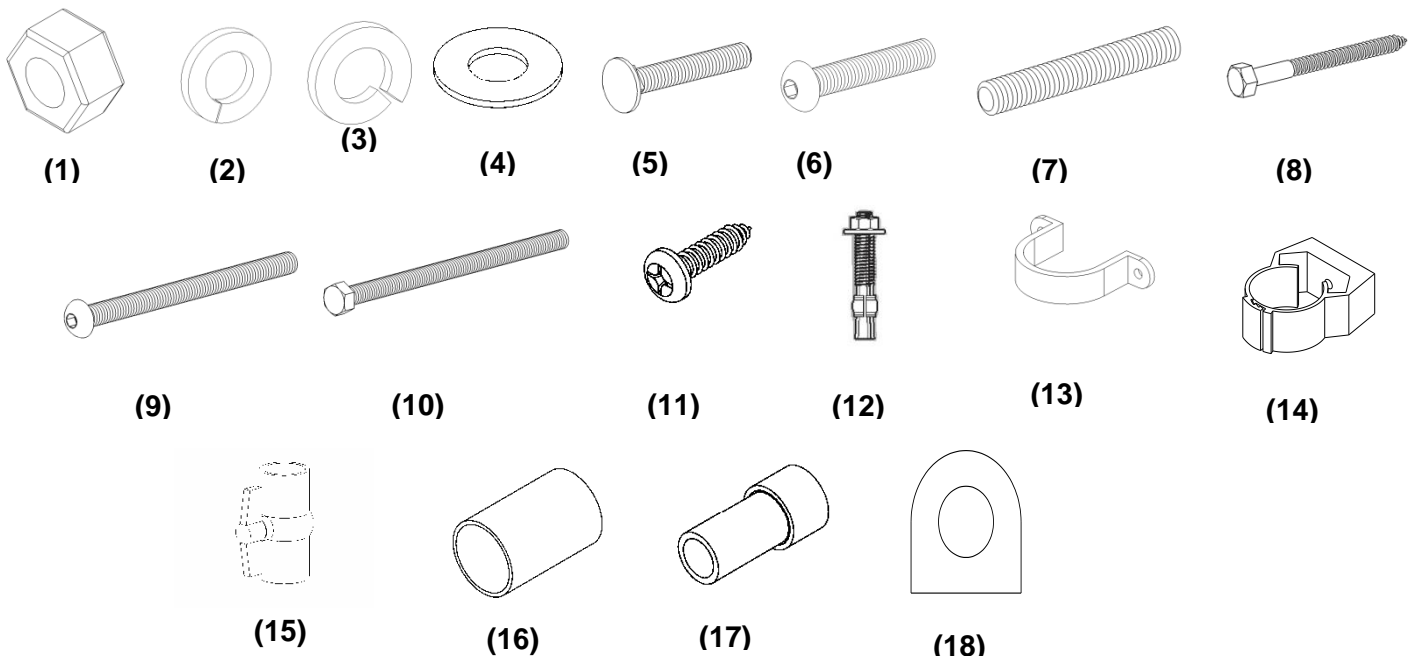


FIGURE A

PARTS LIST

ITEM NO.	PART NO.	DESCRIPTION	QTY.	KIT A
KIT A	69-209-123	TYPHOON HARDWARE CARTON	1 ea.	
1	5-139	3/8" HEX NUT	10 ea.	•
2	5-151	3/8" LOCK WASHER	10 ea.	•
3	05-14-115	1/2" LOCK WASHER	8 ea.	•
4	5-145	3/8" FLAT WASHER	24 ea.	•
5	5-246	3/8" x 2-3/4" CARRIAGE BOLT	2 ea.	•
6	5-247	3/8" x 3" BUTTON HEAD CAP SCREW	4 ea.	•
7	5-239	3/8" x 2-1/2" STUD	4 ea.	•
8	5-240	3/8" x 3-1/2" LAG SCREW	6 ea.	•
9	5-237	3/8" x 5" BUTTON HEAD CAP SCREW	2 ea.	•
10	5-248	3/8" x 3.5" HEX HEAD CAP SCREW	2 ea.	•
11	5-242	#14" x 1" PAN HEAD TAPPING SCREW	6 ea.	•
12	5-241	1/2" x 5" ANCHOR STUD	8 ea.	•
13	05-782	1-1/2" PVC PIPE STRAP	2 ea.	•
14	05-767	1" PIPE CLAMP	2 ea.	•
15	05-770	1" BALL VALVE GRAY	1 ea.	•
16	05-784	1" COUPLING	1 ea.	•
17	05-773	GARDEN HOSE ADAPTER	1 ea.	•
18	8-532	1/2" HIGH x 1/2" WIDE x 32" LONG RUBBER GASKET	1 ea.	•
19	8-560A	KIT, TOP RUNWAY GASKET – INCLUDES 3/8" X 3' ROUND BUTYL GASKET (NOT SHOWN)	1 ea.	•
20	05-786-1	1" PVC FLEX HOSE, 16" LONG (NOT SHOWN)	1 ea.	
21	05-786-2	1" PVC FLEX HOSE, 68" LONG (NOT SHOWN)	1 ea.	

Visit srsmith.com for hardware kit and replacement part information.



ASSEMBLY INSTRUCTIONS

Tools Required

1. Ratchet handle
2. 9/16" deep socket
3. 9/16" wrench
4. 3/4" socket or wrench
5. 7/32" allen wrench
6. Phillips head screwdriver
7. 1/2" (13 mm) concrete drill bit
8. 1/4" (6 mm) drill bit
9. Power drill
10. PVC pipe primer & glue
11. Anti-seize
12. Saw to cut PVC pipe
13. Knife
14. Level
15. Pistol-grip clamp (optional)

NOTE: Use pistol-grip clamps as necessary to align the molded parts.

Gasket Installation

- Most of the gasket material has been installed at the factory, however additional gasket has been provided in case any gasket has fallen off during shipping. If gasket installation is required, follow the instructions below. The gasket on the face of the ladder is not installed in the factory, but detailed instructions are provided in step 8 on page 10.
- Apply gasket (PN 8-532) in the required locations as shown in the figures below.
- Place gasket along the section to determine the length needed.
- Cut gasket to appropriate length.
- Remove backing and adhere gasket to slide.
- All gaskets below are applied as shown in the gasket section detail (see step 8 for further details on installing the ladder gasket, PN 8-560A)

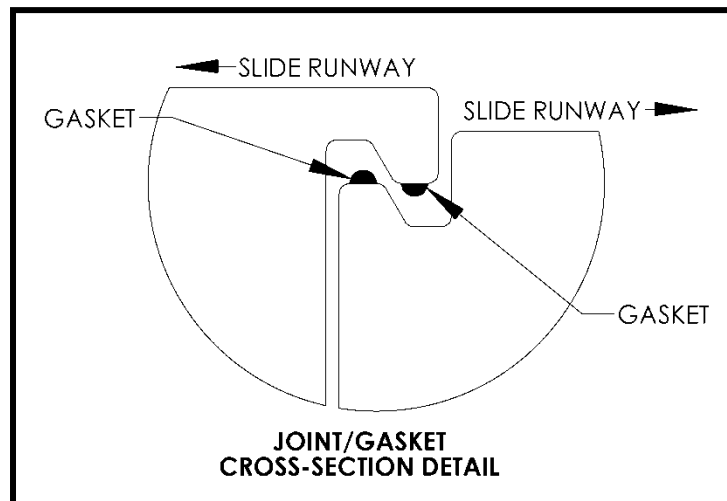


FIGURE B

NOTE:

BE SURE TO APPLY ANTI-SEIZE TO ALL FASTENERS TO PREVENT GALLING.

Typhoon Assembly

Before getting started:

- **To prevent damage to the parts during assembly, it is recommended that cardboard or some other protective barrier is laid down on the ground where the slide is to be assembled.**
- **Verify that the gasket material is affixed to the slide parts as shown on page 6**
- **During assembly, be sure to apply a thin coat of anti-seize compound to the threads of all fasteners. Anti-seize helps aid in assembly, prevents galling, and improves corrosion resistance.**

1. Assemble the pedestal part to the runway exit section as shown in FIGURE C. Attach the pedestal part to the runway exit section by inserting the two lag screws into the holes located in the bottom of the pedestal.
2. Before inserting the lag bolts into the side of the runway exit part, 1/4" (6 mm) pilot holes must be drilled into the center of each of the recesses. The pilot holes should be drilled through both the runway exit section and into the pedestal.

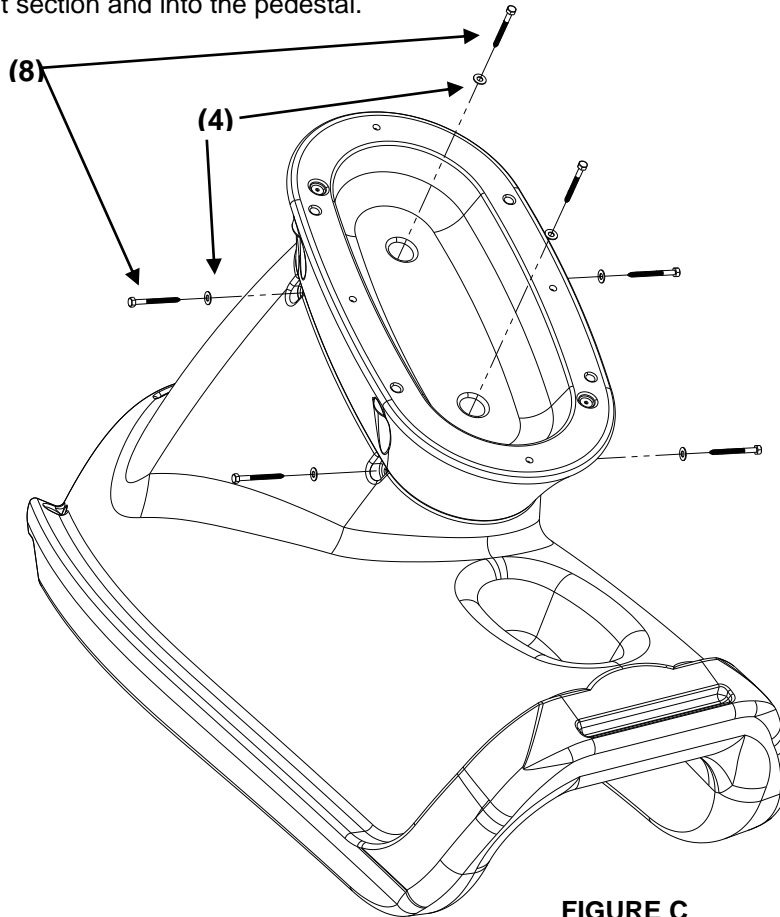


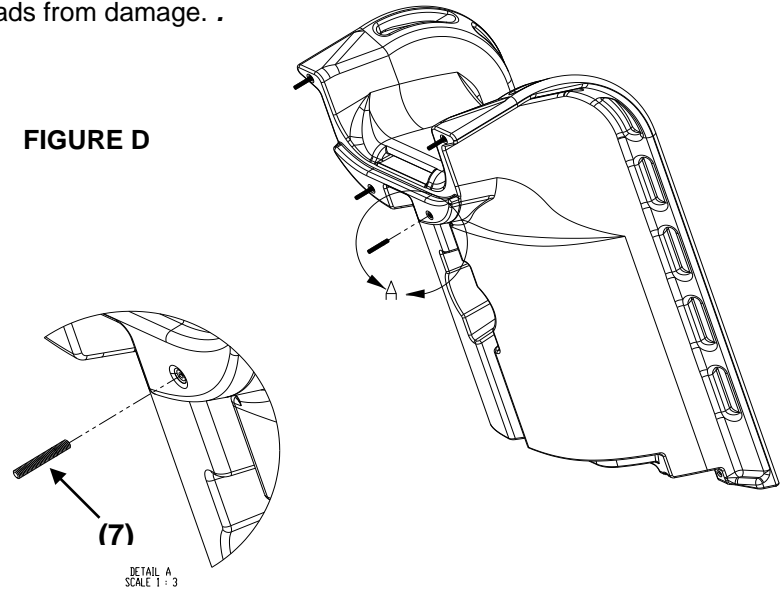
FIGURE C

3. Place the assembled runway exit section and pedestal upright so that the pedestal is resting on the ground.

Notes: It may take more than one person to perform this step. Verify that the gasket material is properly attached before assembling the parts.

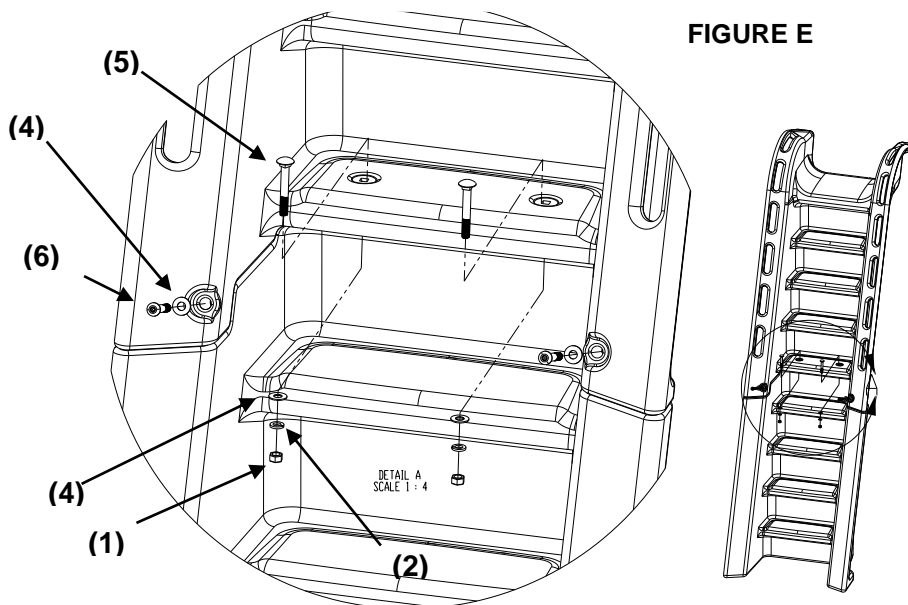
4. Insert the threaded studs into each of the threaded inserts as shown in FIGURE D. The studs should be screwed in by hand until they reach the bottom of the insert. If the studs cannot be threaded in by hand, pliers may be used. Before using pliers, a piece of cloth should be placed over the stud to protect the threads from damage. .

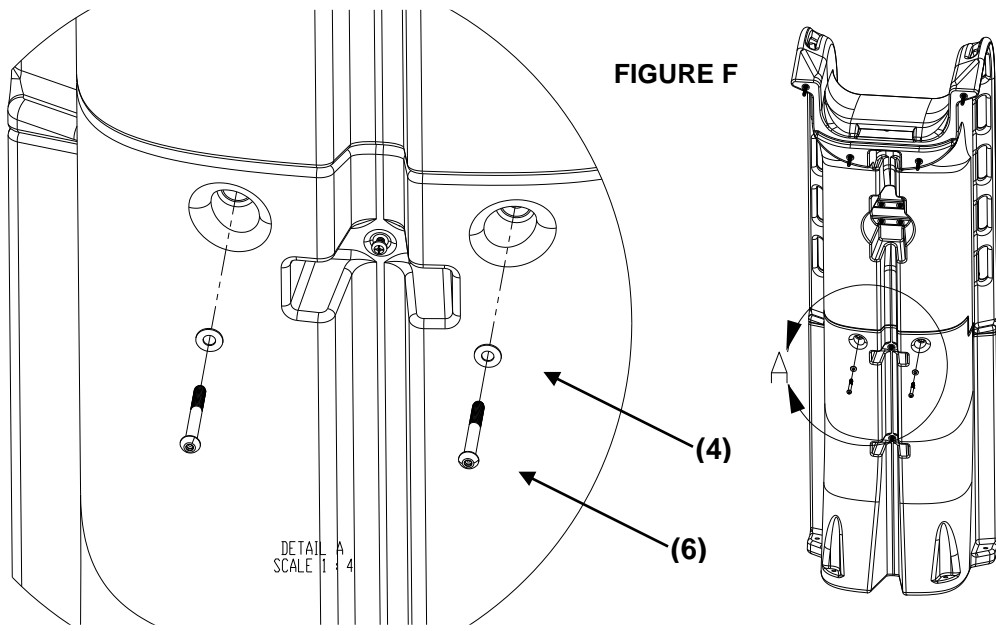
FIGURE D



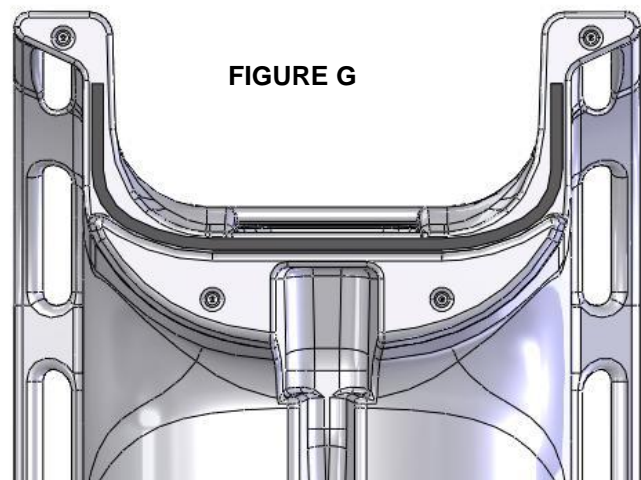
5. Assemble the top ladder section to the lower ladder section as shown in FIGURE E. Insert the two button head cap screws into the threaded inserts as shown in FIGURE E. **Do not fully tighten the screws at this point; just get the screws started into the threaded inserts.**
6. Insert the button head cap screws into the back side of the ladder as shown in FIGURE F. Tighten the screws until snug. Go back and fully tighten the screws from Step 7.
7. Insert the two carriage bolts into the steps as shown in FIGURE E. Tighten the nuts onto the carriage bolt until the lock washer is fully compressed.

FIGURE E

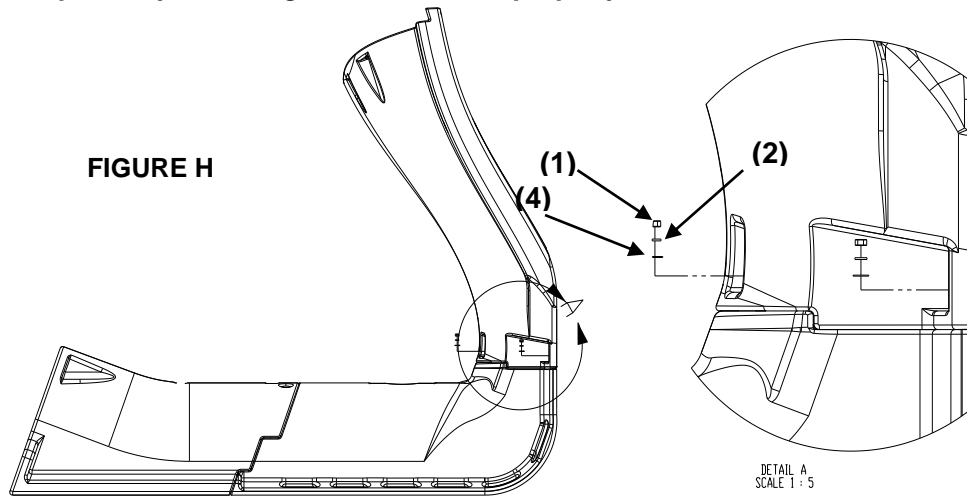




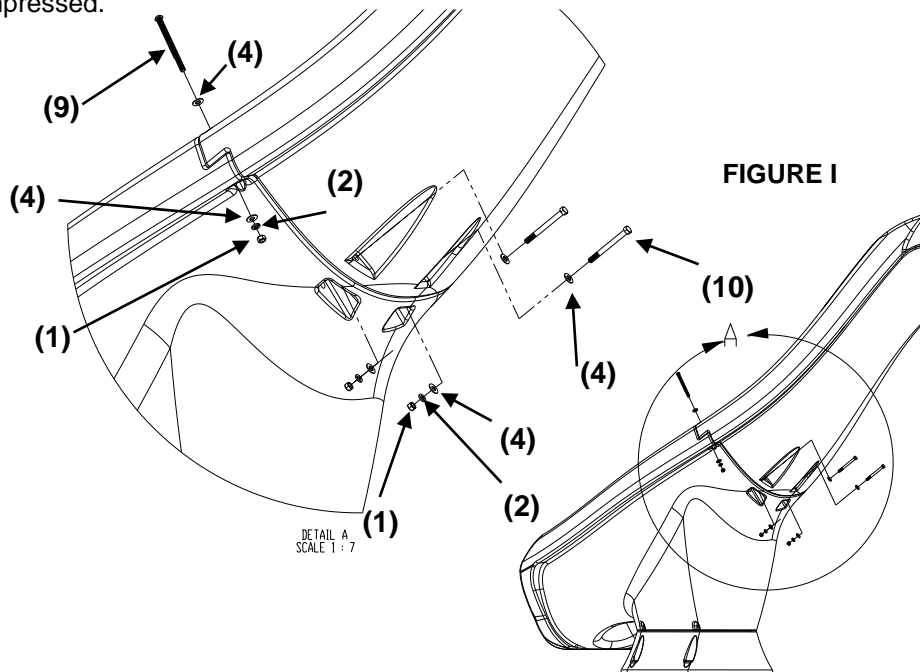
8. Peel the backing just prior to application. For the butyl gasket, getting your hands wet will help prevent the material from sticking to them. **Be careful not to get the slide wet before installing the butyl gasket.**
 - Be sure to keep the gasket and slide clean during the installation process.
 - While still wrapped, take the gasket material (Part Number 8-560) and hold so that that length of the gasket is centered on the center of the ladder joint, see FIGURE G.
 - Remove the protective tape and apply the gasket, working from center outwards. Be sure that the bottom edge of the gasket material is held against the shelf on the ladder part during installation; see reference images on the next page.
 - Do not make too tight of a bend radius with the gasket when transitioning the gasket up the vertical edges of the joint. The transition radius should be as large as possible.
 - The gasket should be centered on the available space in the vertical area of the joint; see reference images on the next page.
 - Once the gasket is in place, firmly press down on the gasket in all locations to ensure that the gasket has completely adhered to the ladder joint surface. Get your hands wet to prevent the butyl from sticking to your hands.
 - The final step is to install the top runway section onto the ladder section. **It is strongly recommended that two people are used for this step to ensure that the top runway section is aligned properly with the ladder section. It will be difficult to separate the parts once the gasket comes into contact with the top runway section, so it is important that the two parts are aligned correctly the first time.**



9. Align the threaded studs sticking out of the top ladder section with the holes in the upper runway section. Attach the runway to the ladder using the hardware shown in FIGURE H. Tighten until the lock washer is fully compressed. **Notes: It may take more than one person to perform this step. Verify that the gasket material is properly attached before assembling the parts.**

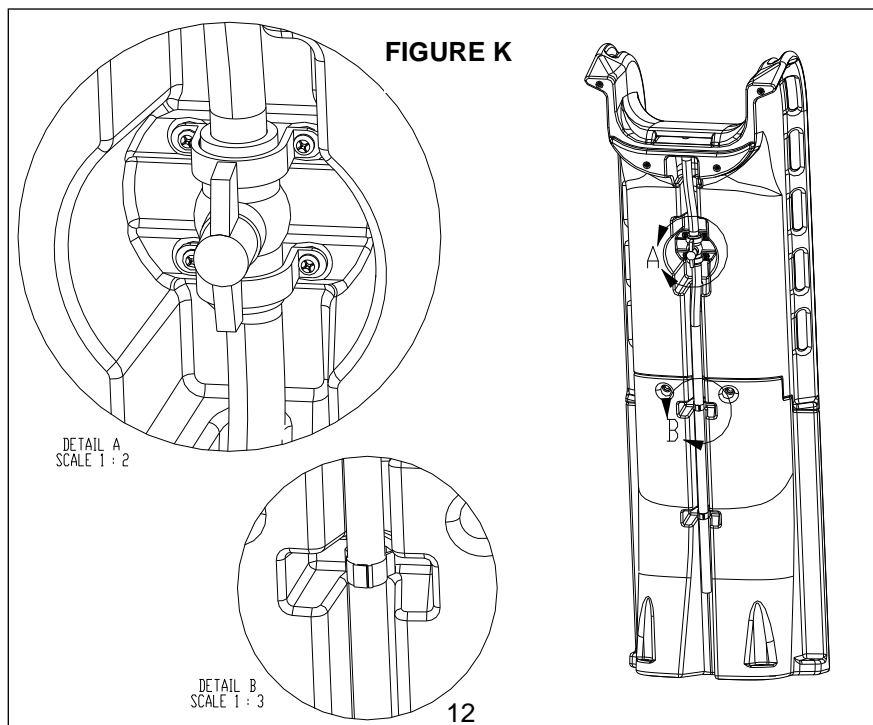
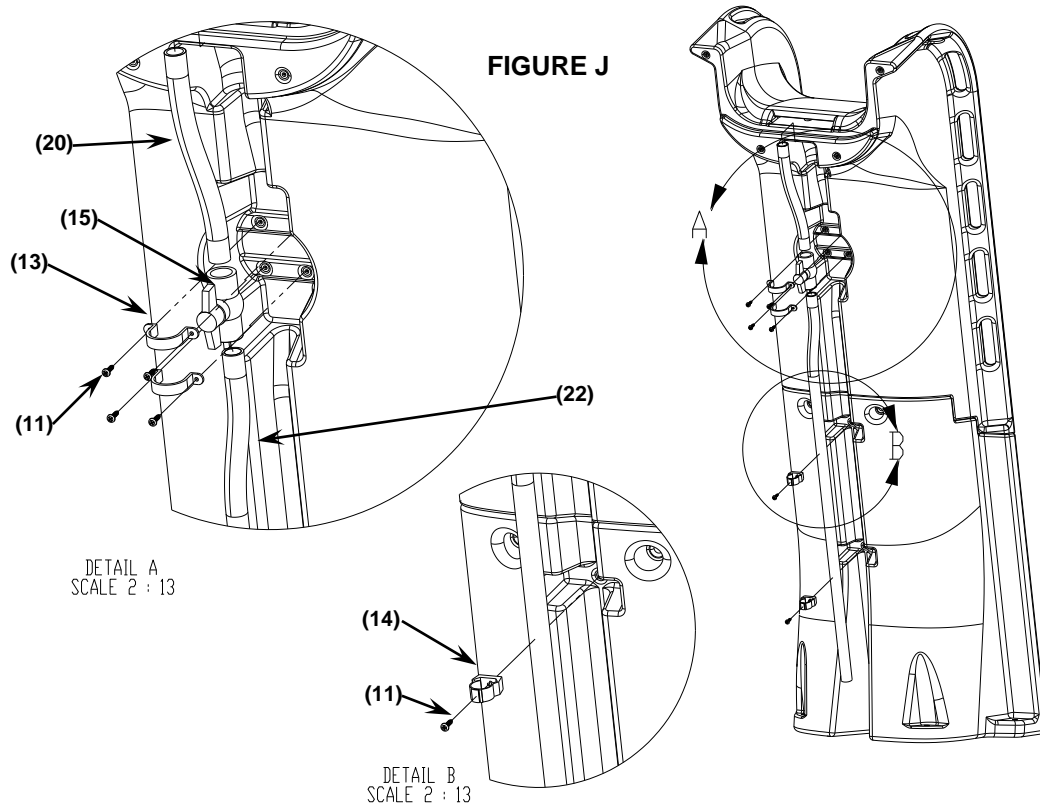


10. Stand the ladder upright and attach the runway entrance section to the runway exit section using the button head cap screws as shown in FIGURE I. Tighten the button head cap screws until the lock washers are compressed. **Notes: It may take more than one person to perform this step.**
11. Once the button head screws are tightened, insert the hex head cap screws into the underside of the runway as shown in FIGURE I. Tighten the hex head cap screws until the lock washers are compressed.



12. First, fully assemble the water system components in the order shown in FIGURE J without gluing anything together. Assemble the water system parts to the ladder to ensure that everything fits before proceeding. Be sure that the ball valve is properly centered in the recess of the ladder.

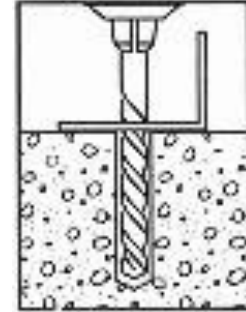
13. Attach the pipe clamps to the ladder as shown in FIGURE J, detail B.
14. Use PVC primer and glue to permanently assemble the parts together as in step 11.
15. Glue the top end of the PVC hose into the fitting in the ladder.
16. Use the pipe straps to fasten the ball valve into the ladder recess as shown in FIGURE K, detail A.
17. Insert the hose into the hose clamps by firmly pushing the hose into the back of the clamp.



ON-DECK MOUNTING INSTRUCTIONS

1. Place the assembled slide on the deck relative to the pool wall. Ensure that the exit flume clears any coping. Slide may be angled slightly providing all dimensions are maintained as noted in the **Manufacturer's Placement Instructions** noted in the following section.

2. With the slide in its proper location, center punch or otherwise mark through the (8) mounting holes at the bottom of the ladder and pedestal so that a visible mark is apparent on the concrete.

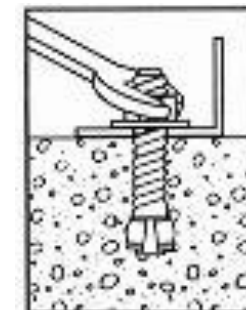


3. Move the assembled slide aside to facilitate drilling of the anchoring holes.

4. Using a power drill and a 1/2" (13 mm) concrete drill bit, drill the holes to a depth of 4" (102 mm). Use tape or a marking on the drill bit to ensure that the hole for the anchor is drilled to the required depth. Maintain drill hole straight and perpendicular for proper holding strength of anchor stud



5. Clear the holes of all debris. Assemble anchor with nut and washer so that the top of the nut is flush with the top of the anchor. **Move the slide over the holes before inserting the anchors.** Drive anchor through the slide mounting holes so that nut and washer are flush with the surface material.



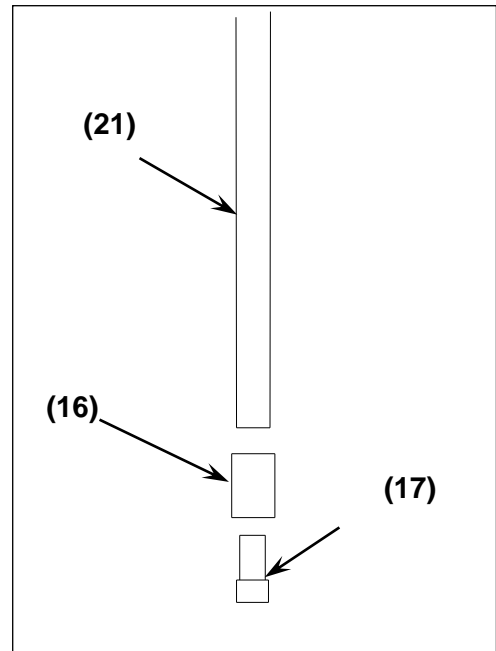
6. Ensure the slide ladder is plumb by placing a level on a ladder tread. If necessary, shims can be placed beneath the base of the ladder to ensure it is plumb due to varying deck slopes.

7. Expand anchor by tightening nut 3 to 5 turns. Once anchor is set remove nut and install a lock washer, item # (3), and retighten nut to a torque of 25 ft.-lbs (33.9 N-m).

SLIDE PLUMBING INSTRUCTIONS

1. The Typhoon is designed for a water supply line of 1" pipe. Plumb from pool return line with a 1" PVC pipe "stubbed up" at the deck positioned at the base of the ladder. Refer to
2. FIGURE A on page 5.
3. FIGURE A is for reference only. Assembled slide should be placed in its correct location and the "stub up" location marked and installed before mounting the slide to the deck. "Stub up" should be dark grey PVC to match the plumbing assembly of the slide. **Note: "Stub up" should extend above the deck 18" (457 mm) in height. It can be cut to proper length further in the installation process.**
4. If a garden hose is to be used, a garden hose adapter fitting is included with the slide. Assemble the pieces as shown in FIGURE L and attach to the end of the PVC plumbing assembly at the base of the ladder.
5. Proceed to the following section for **ON-DECK MOUNTING**. After the slide has been mounted to the deck, attach the "stub up" as necessary to the plumbing assembly installed in the ladder.
6. The Typhoon can handle up to 20 gallons per minute (75 L/min). Water flow is to be regulated using the ball valve near the base of the ladder.

FIGURE L



MANUFACTURER'S PLACEMENT INSTRUCTIONS

PROPER ASSEMBLY, INSTALLATION, USE, AND SUPERVISION ARE ESSENTIAL FOR PROPER OPERATION AND TO REDUCE THE RISK OF SERIOUS INJURY.

1. The critical dimensions for placement of the Typhoon are as shown in FIGURE M and FIGURE N.
 - A. The slide exit runway surface shall not exceed 20" (508 mm) above the water surface as shown in FIGURE M.
 - B. The slide shall be positioned so that all water flowing off the runway exit drops into the pool. The recommended overhang is 4" (102 mm).
 - C. The minimum depth of water below the exit lip of the slide shall be 3' (914 mm) and increase to 4'-6" (1371 mm) at Pt. A, which is a distance of 4'-6" (1371 mm) from the exit lip of the slide as shown in FIGURE M.
 - D. A minimum depth of 4'-6" (1371 mm) shall be maintained at a distance of 9' (2743 mm) along the extended centerline of the slide from Pt. A. as shown in FIGURE M.

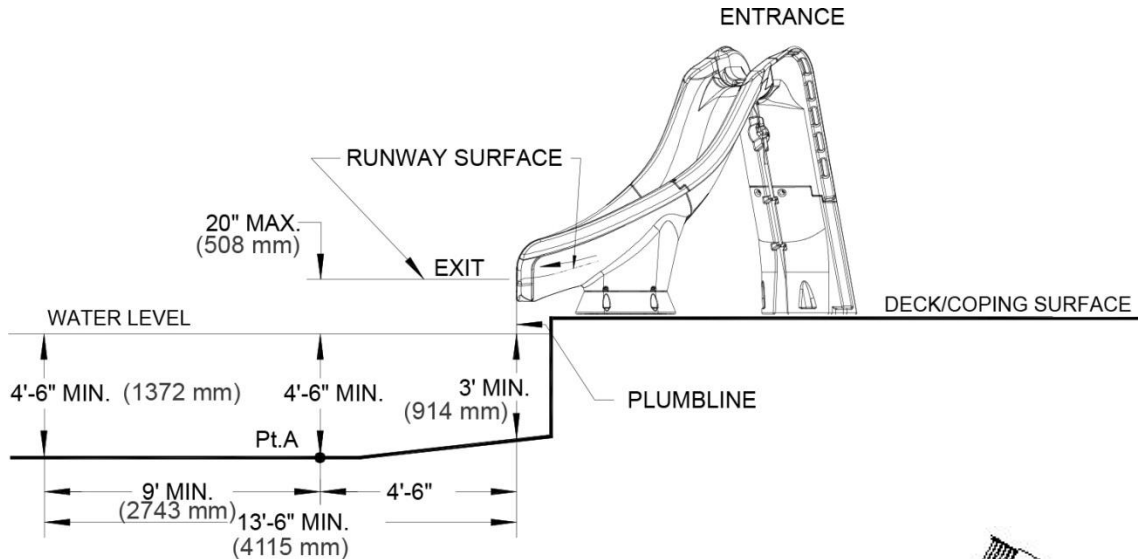


FIGURE M

2. A minimum clearance area in front of the slide shall be maintained at all times as follows:
 - A. The minimum clearance distance on either side of the extended centerline of the slide runway shall not be less than 3'-6" (1067 mm) at a point no less than 2'-6" (762 mm) from the exit lip of the slide and extending a distance of 13'-6" (4115 mm) in front of the slide as shown in FIGURE N.
 - B. A. The minimum clearance area in front of a properly installed diving board on an inground swimming pool is a minimum distance of 3'-6" (1067 mm) on either side of the board's centerline as shown in FIGURE O. Pt. C extends a minimum distance of "C" from the tip end of the board as shown in FIGURE O. The width distance "W" on either side of Pt. C is given in TABLE 1 and shown in FIGURE O.

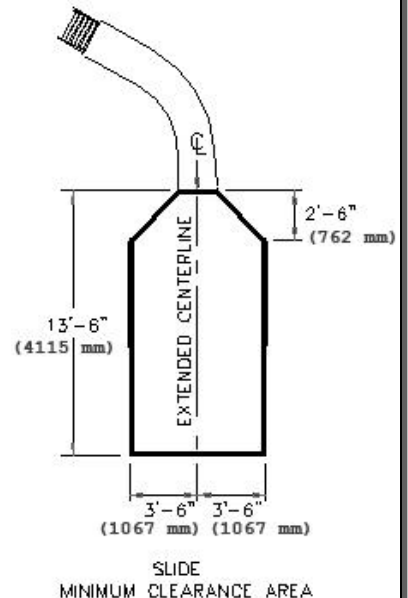


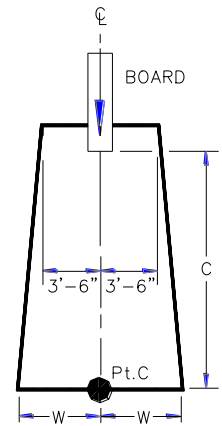
FIGURE N

TABLE 1

Board Minimum Clearance Area		
Pool Type	"C" Dimension	"W" Dimension
I	14' -6" (4420 mm)	5' -0" (1524 mm)
II	14' -6" (4420 mm)	6' -0" (1829 mm)
III	16' -6" (5029 mm)	6' -0" (1829 mm)
IV	18' -6" (5639 mm)	7' -6" (2286 mm)
V	21' -0" (6401 mm)	7' -6" (2286 mm)

See Article 5 contained in ANSI/APSP/ICC-5 2011 STANDARD FOR RESIDENTIAL INGROUND SWIMMING POOLS and refer to FIGURE 3 and Table 1 for Minimum Water Envelope Dimensions AB, BC and Width at Point C.

"C" DIMENSION FOR BOARD = AB + BC
 "W" DIMENSION FOR BOARD = WIDTH AT PT.C



BOARD
MINIMUM CLEARANCE AREA

- C. The minimum clearance area of a slide of diving board shall not intersect any coping or rope and float line as shown in FIGURE P. The minimum clearance area of a slide or diving board may intersect each other provided that they are not used simultaneously.

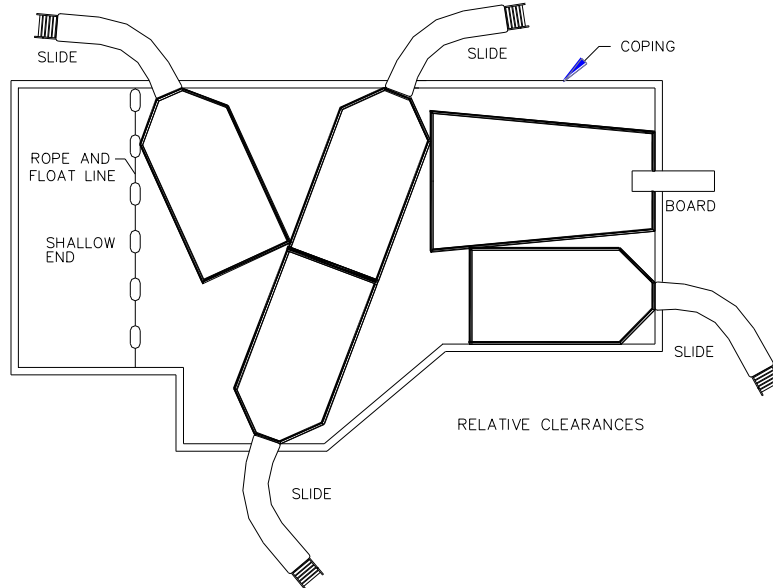


FIGURE P