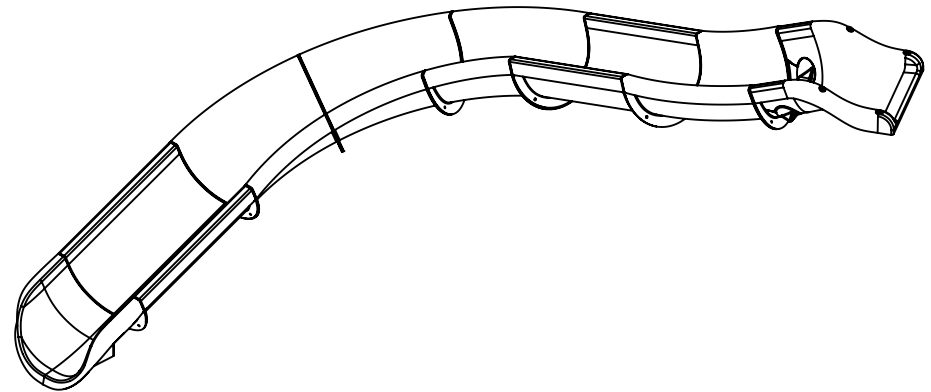
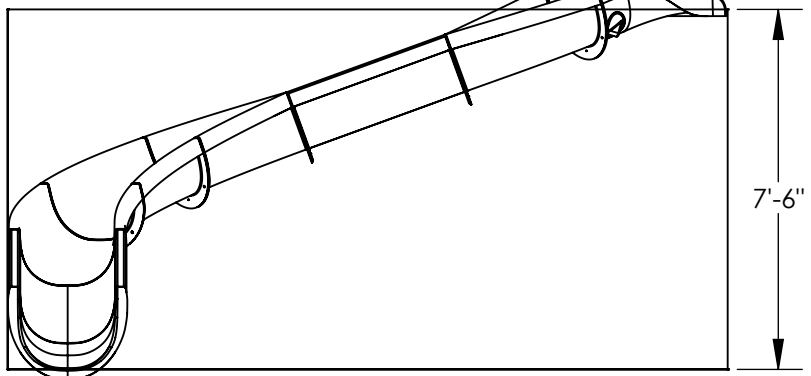


15'-0"  
TOP VIEW

13'-5"

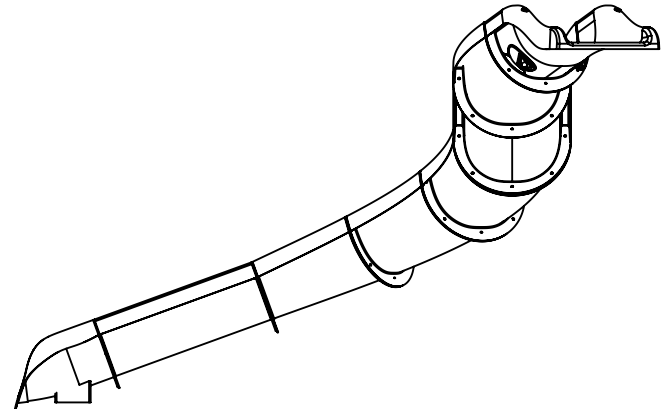


ISOMETRIC VIEW  
NOT TO SCALE



SIDE VIEW

7'-6"

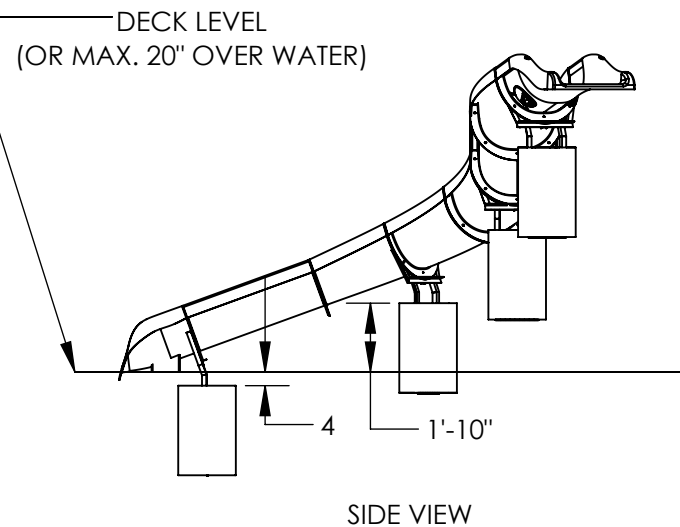
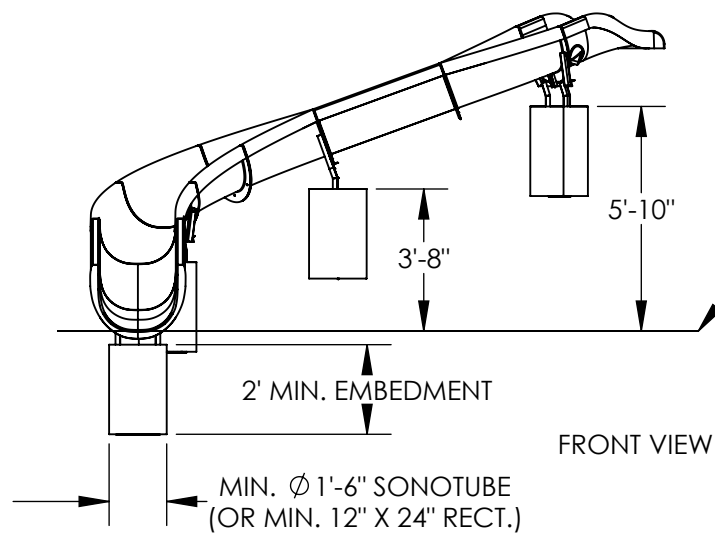
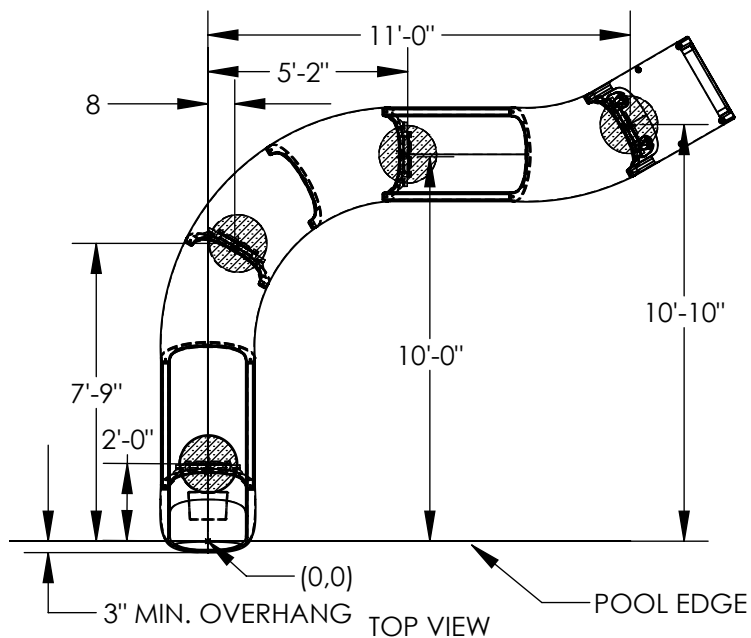


FRONT VIEW

DESCRIPTION: 23 LF RIVER RUN SLIDE LEFT TURN DWG FILE FOR USE	
MATERIAL: FIBERGLASS-REINFORCED VINYL ESTER	
PART NO.: RRS23A-CL	REV. A0
DRAWN BY: CMR	DATE: 7/8/2020
CHECKED BY:	DATE:

**SR Smith**  
 P.O. BOX 400 - 1017 S.W. BERG PARKWAY  
 CANBY, OREGON 97013  
 PHONE (503) 266-2231

SIZE: A	SCALE: 1/4":1'	SHEET 1 OF 2
------------	----------------	--------------



DESCRIPTION: 23 LF RIVER RUN SLIDE LEFT TURN	
MATERIAL: FIBERGLASS-REINFORCED VINYL ESTER	
PART NO.: RRS23A-CL	REV. A0
DRAWN BY: CMR	DATE: 7/8/2020
CHECKED BY:	DATE:

**SR Smith**™

P.O. BOX 400 - 1017 S.W. BERG PARKWAY  
CANBY, OREGON 97013  
PHONE (503) 266-2231

SIZE: A	SCALE: 1:60	SHEET 2 OF 2
------------	-------------	--------------