

# Designer Custom Rail Request

Project Name \_\_\_\_\_

Residential  Commercial

Distributor Name \_\_\_\_\_

Distributor Contact Name \_\_\_\_\_

Distributor Address \_\_\_\_\_

City \_\_\_\_\_

State \_\_\_\_\_

Zip \_\_\_\_\_

Distributor Phone \_\_\_\_\_

Fax \_\_\_\_\_

Distributor Email \_\_\_\_\_

Tubing: Outside Diameter  1.90"

Wall Thickness  .065"

Grade  304 (standard)

Coating: SealedSteel Vinyl\*  None

Powder Coating\*  None

\*Escutcheons not included

.109"

316L (marine grade)

White

White

Copper Vein

Taupe

Taupe

Hammertone

1.50"

.120" ONLY

Gray

Silver Gray

Black

Dark Gray

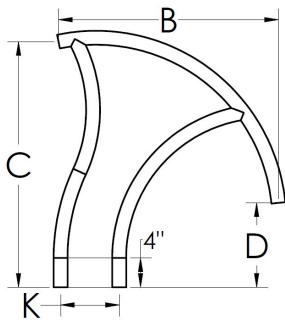
Rock Gray

Black

Requested Handrail Pattern:

DR-G3D065

Qty: \_\_\_\_\_

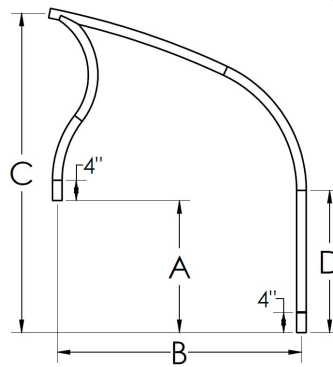


Single  Pair

B: \_\_\_\_\_  
C: \_\_\_\_\_  
D: \_\_\_\_\_  
K: \_\_\_\_\_

DR-D2S5065

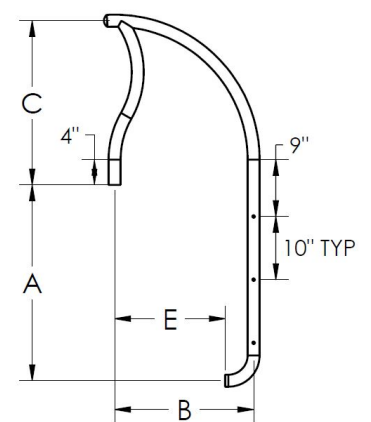
Qty: \_\_\_\_\_



A: \_\_\_\_\_  
B: \_\_\_\_\_  
C: \_\_\_\_\_  
D: \_\_\_\_\_

DR-L3065

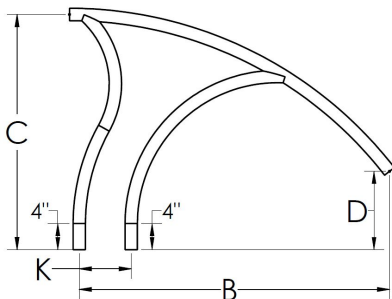
Qty: \_\_\_\_\_



A: \_\_\_\_\_  
B: \_\_\_\_\_ NUMBER OF STEPS  
C: \_\_\_\_\_  
E: \_\_\_\_\_

DR-D3D50065

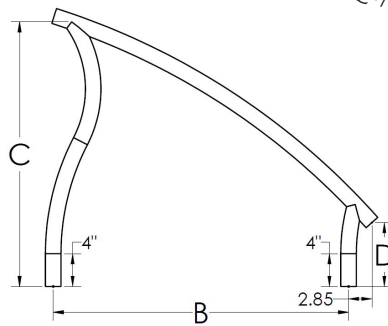
Qty: \_\_\_\_\_



B: \_\_\_\_\_  
C: \_\_\_\_\_  
D: \_\_\_\_\_  
K: \_\_\_\_\_

DR-D2D3.0065

Qty: \_\_\_\_\_



B: \_\_\_\_\_  
C: \_\_\_\_\_  
D: \_\_\_\_\_

Single  Pair

ALL LEG LENGTHS SHOULD INCLUDE THE AMOUNT TO BE INSERTED INTO THE ANCHOR

Please fax to 615-805-3246 or email [customrails@srsmith.com](mailto:customrails@srsmith.com)

Phone: 615-805-3246  
Fax: 615-805-3246  
Email: [customrails@srsmith.com](mailto:customrails@srsmith.com)

