



PRODUCT SPECIFICATIONS - WRITTEN

Product Name: PAL2 Aquatic Lift
Part Number: 202-0000, 252-0000

General Notes:

The PAL2 Aquatic Lift is a battery powered lift that complies with Americans with Disabilities Act Access Guidelines (ADAAG) and has a lifting capacity of 300 lbs (136.1 kg). Capable of easy movement to multiple pool locations using a patented counterbalance system (no deck anchors required). Product shall include battery, charger, battery console cover, waterproof control, armrests, footrest, and seatbelt assembly.

Application:

Manufacturer to provide technical support and assistance to confirm pool lift satisfies pool geometry or if another PAL2 or SPLASH model is more appropriate. The lift is configured to facilitate ease in user transfer within clear deck space of 45 inches wide by 50 inches deep starting 12 inches from the from the back end of the seat (Ref. ADAAG).

Specifications:

Actuator: The PAL2 has a LINAK (approved for medical applications) screw/spline type actuator to provide a safe and stable stop at any point in the lifting cycle. Capable of reaching a stopping point that is a minimum of 16 inches and a maximum of 23 inches, measured from the deck to the top of the seat surface, when the seat is in the raised position (accessibility guidelines), but also providing additional stopping points at various heights to accommodate users of all ages and abilities. It is also capable of submerging the seat a minimum of 18 inches below the surface of the water.

Seat Assembly: The PAL2 has a seat width of 23 inches (ADAAG requires 16 inches minimum), and a back that extends 24 inches high (ADAAG requires 12 inches minimum).

Gear Motor: The PAL2 has a 24-volt gear motor to power side to side rotation to allow for ample clear deck space for transfer on both sides of the lift.

Metallic Parts: All metallic parts (stainless steel and aluminum) are to be passivated, pretreated, and powder coated using a 5-step process. The process is to be validated by samples undergoing a 4,000 hr Salt Fog Test (ASTM D1654), by a recognized independent laboratory, and achieve a rating of 10 (highest possible rating).

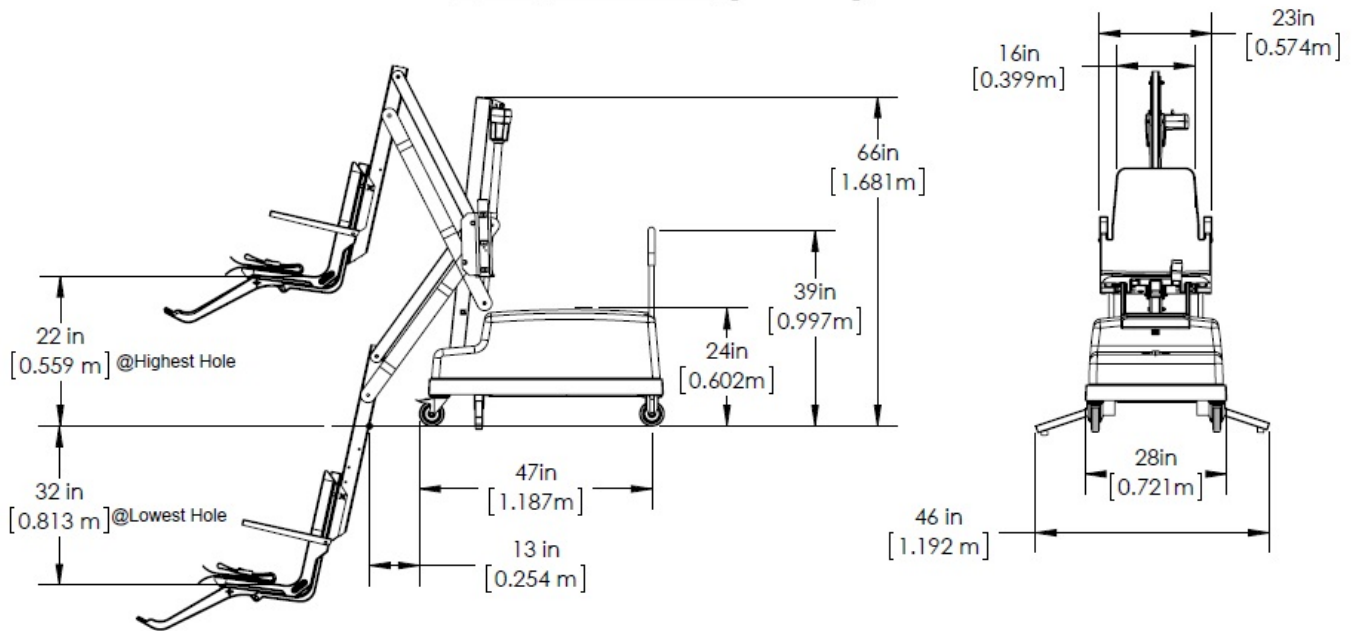
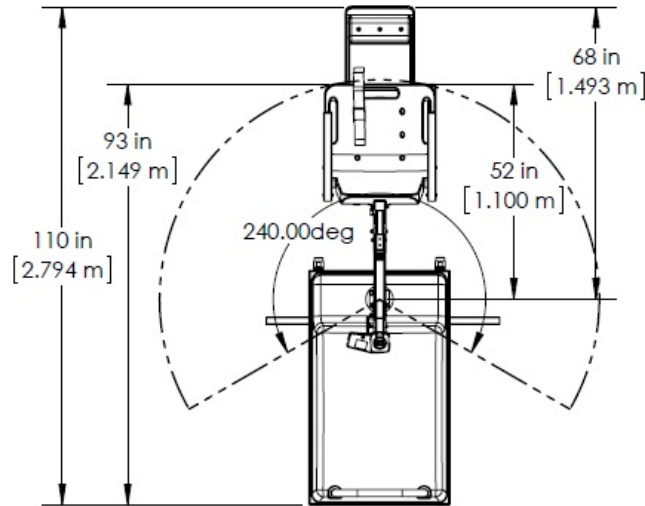
Warranty: For current warranty information go to www.srsmith.com

Have the following optional equipment:

Part #	Description	Part #	Description
900-6000	Stability Strap	920-5000	Lift Cover
500-1000	Spine Board Attachment	970-5000	Seat Saver Cover

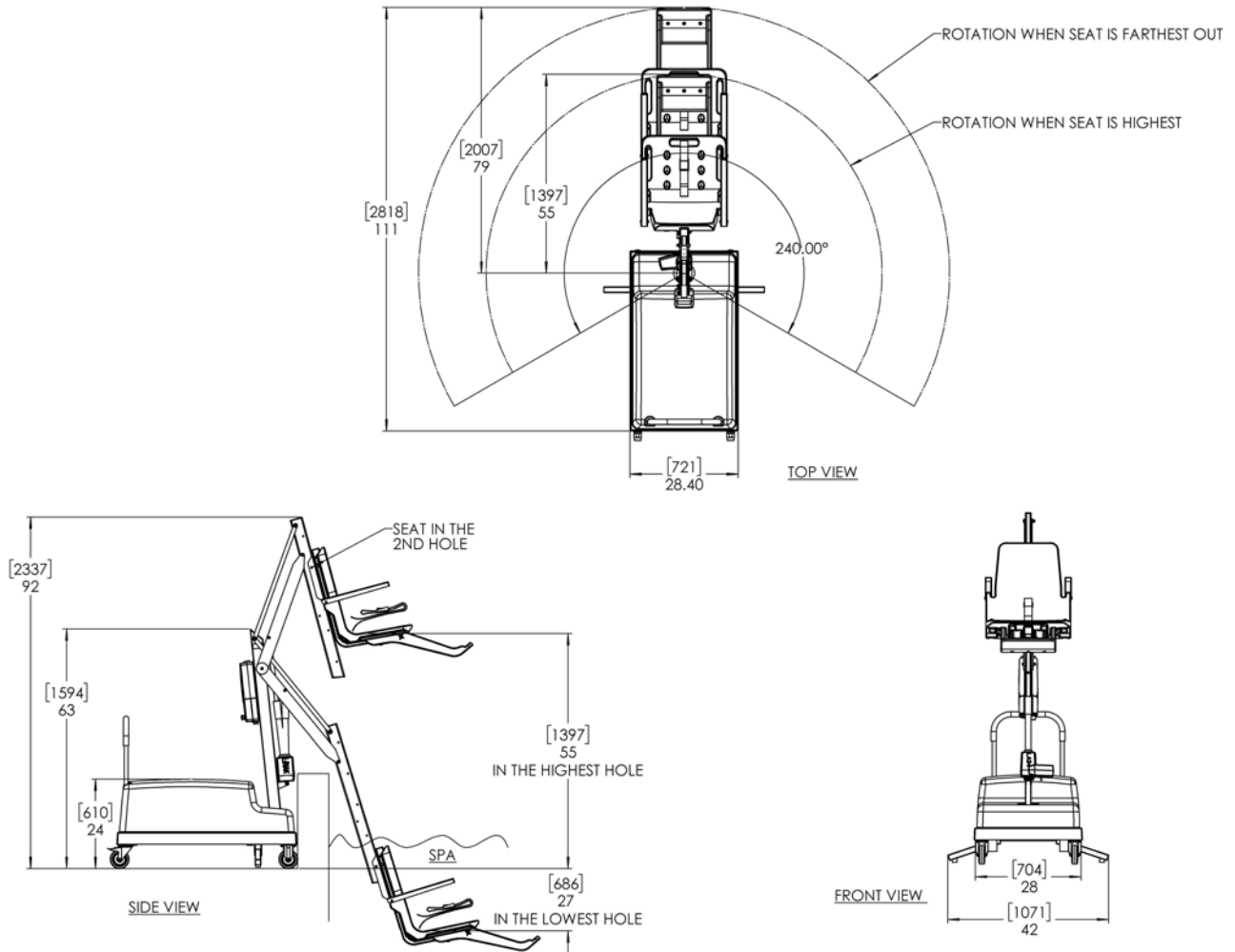
Shipping weight: 1100 lbs.

Specification Number:	SRS-1205		S.R. Smith P.O. Box 400, 1017 SW Berg Parkway Canby, Oregon 97013 Tel: (503) 266-2231 Fax: (503) 266-4334 www.srsmith.com
Product Description:	PAL2 Aquatic Lift		
S.R. Smith Part Number:	202-0000, 252-0000		
Revision:	C	Date: 7/22/2022	
Written By:	Mikha Kaiel	Date: 02/18/2010	
Approved By:	Daniel Taughinbaugh	Date: 07/01/2016	
Page 1 of 3	Proprietary and confidential: The information contained in this specification is the sole property of S.R. Smith LLC. Any reproduction in part or whole without the written consent of S.R. Smith LLC is prohibited.		



Specification Number:	SRS-1205	
Product Description:	PAL2 Aquatic Lift	
S.R. Smith Part Number:	202-0000	
Revision:	C	Date: 7/22/2022
Written By:	Ole Hoskinson	Date: 08/20/13
Approved By:	Daniel Taughinbaugh	Date: 07/1/2016
Page 2 of 3	Proprietary and confidential: The information contained in this specification is the sole property of S.R. Smith LLC. Any reproduction in part or whole without the written consent of S.R. Smith LLC is prohibited.	

S.R. Smith
P.O. Box 400, 1017 SW Berg Parkway
Canby, Oregon 97013
Tel: (503) 266-2231
Fax: (503) 266-4334
www.srsmith.com



Specification Number:	SRS-1205	
Product Description:	PAL2 Hi/Lo Aquatic Lift	
S.R. Smith Part Number:	252-0000	
Revision:	C	Date: 7/22/2022
Written By:	Ole Hoskinson	Date: 08/20/13
Approved By:	Daniel Taughinbaugh	Date: 07/1/2016
Page 3 of 3	Proprietary and confidential: The information contained in this specification is the sole property of S.R. Smith LLC. Any reproduction in part or whole without the written consent of S.R. Smith LLC is prohibited.	

S.R. Smith
P.O. Box 400, 1017 SW Berg Parkway
Canby, Oregon 97013
Tel: (503) 266-2231
Fax: (503) 266-4334
www.srsmith.com